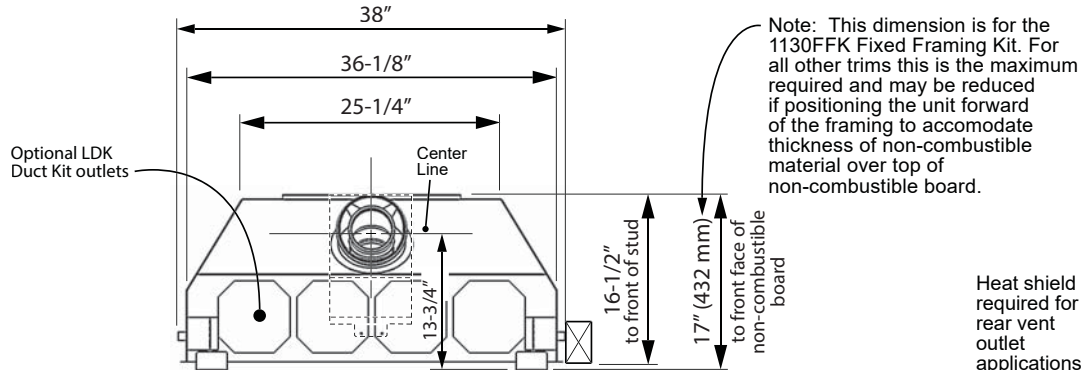
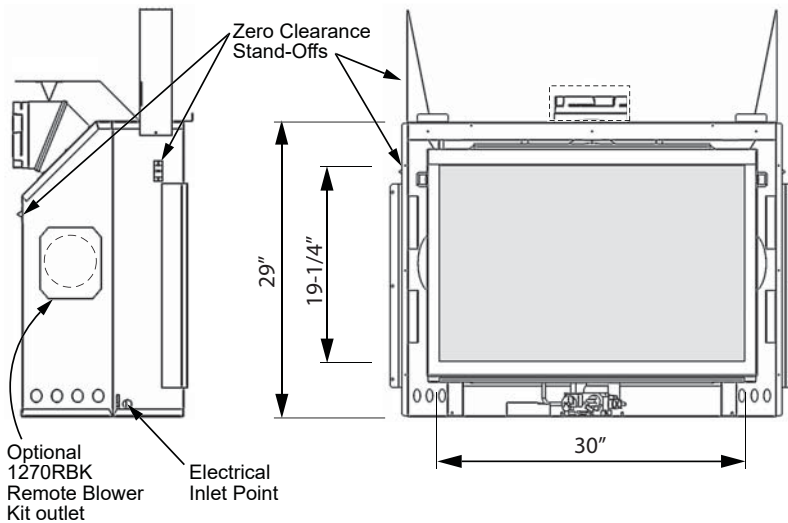


Dimensions

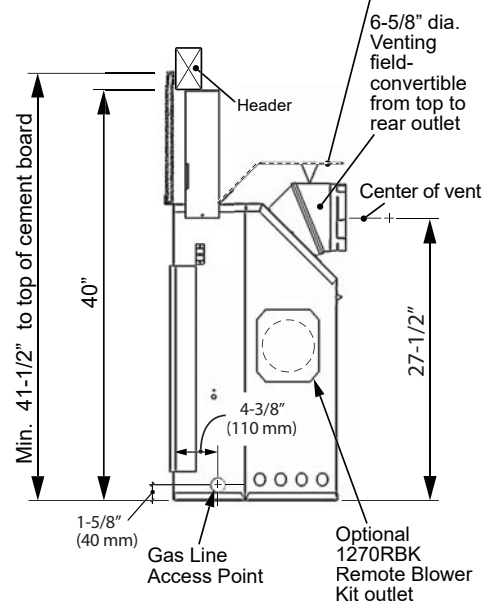


Top View

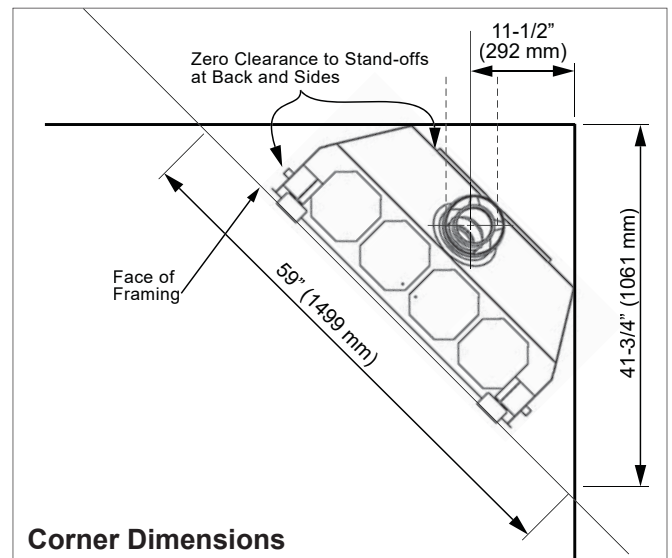


Left Side View

Front View



Right Side View



Corner Dimensions