



# PHENOM

# SPECIFICATIONS AND FEATURES

**P38, P42, P52**  
**PL38, PL42,**  
**PL52**

Single sided  
 Direct vent

**QUICK DIMENSIONS**

	P38		P42		P52	
	UNIT	FRAM.	UNIT	FRAM.	UNIT	FRAM.
F.WIDTH	37 <sup>11</sup> / <sub>16</sub>	37 <sup>3</sup> / <sub>4</sub>	42	42	52	52
B.WIDTH	37 <sup>1</sup> / <sub>4</sub>	37 <sup>3</sup> / <sub>4</sub>	41 <sup>1</sup> / <sub>2</sub>	42	47 <sup>3</sup> / <sub>8</sub>	52
HEIGHT	33 <sup>3</sup> / <sub>4</sub>	41 <sup>1</sup> / <sub>4</sub>	34 <sup>3</sup> / <sub>8</sub>	42	36 <sup>3</sup> / <sub>16</sub>	43 <sup>3</sup> / <sub>4</sub>
DEPTH	19 <sup>1</sup> / <sub>2</sub>	20 <sup>1</sup> / <sub>8</sub>	20 <sup>5</sup> / <sub>8</sub>	21 <sup>1</sup> / <sub>8</sub>	22 <sup>1</sup> / <sub>16</sub>	24 <sup>1</sup> / <sub>4</sub>
VIEWING	35 <sup>3</sup> / <sub>16</sub> × 19 <sup>1</sup> / <sub>2</sub>		39 <sup>1</sup> / <sub>2</sub> × 20 <sup>3</sup> / <sub>8</sub>		47 × 21 <sup>1</sup> / <sub>8</sub>	

**PHENOM CONTEMPORARY**

**Standard**

Concealed burner with Quartz firebeads

Full feature Proflame 2 remote control

Remote controlled fans

Black porcelain liner

Media uplighting

**Options**

Surrounds in satin black or stainless steel

Speckled stones, driftwood, firestones, firebeads or fireglass

**PHENOM BASIC CONTEMPORARY**

**Standard**

Concealed burner with Sage firebeads

Comes with Proflame 2 BASIC control module

**Options**

Surrounds in satin black or stainless steel

Speckled stones, driftwood, firestones, firebeads or fireglass

Full feature Proflame 2 remote control

Remote controlled fans

Black porcelain liner



**BTU LISTING**

P\*38DF\*I-2 / 25,000  
 P\*42DF\*I-2 / 32,000  
 P\*52DF\*I-2 / 40,000

**EFFICIENCY**

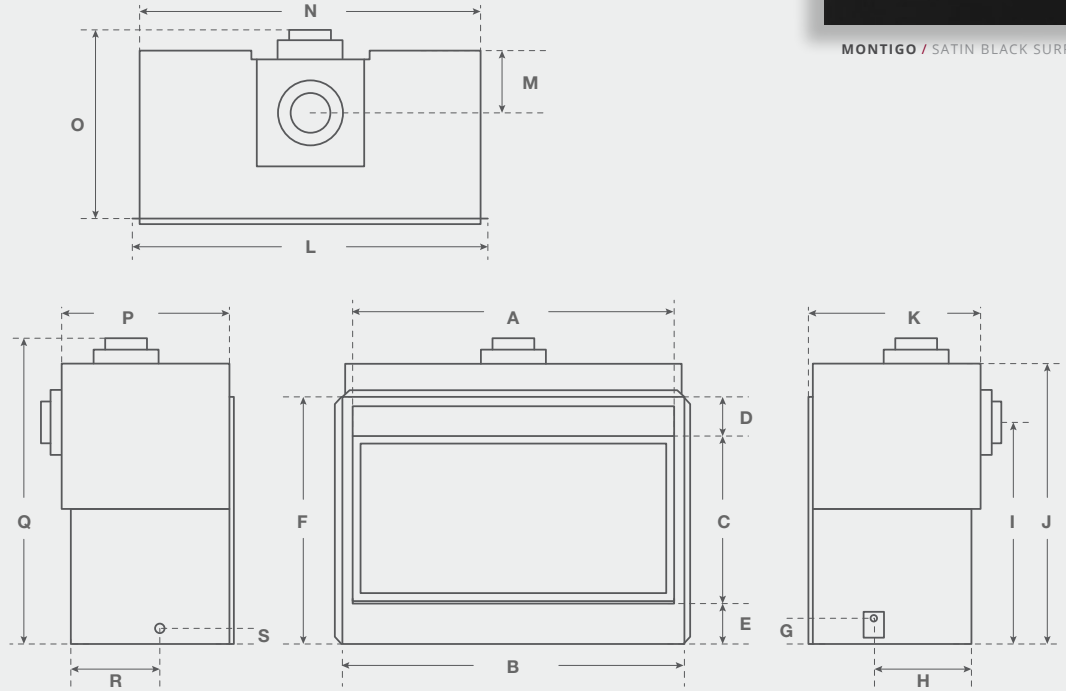
P38DFNI-2 / FE 58  
 P42DFNI-2 / FE 57  
 P52DFNI-2 / FE 59.3

PL38DFLI / FE 58  
 PL42DFLI / FE 57  
 PL52DFLI / FE 59.3

## PHENOM DIMENSIONS

MONTIGO / STAINLESS STEEL SURROUND

MONTIGO / SATIN BLACK SURROUND



	A	B	C	D	E	F	G	H	I	J	K	L	M	N	O	P	Q	R	S
P38	35 <sup>3</sup> / <sub>16</sub>	37 <sup>1</sup> / <sub>16</sub>	19 <sup>1</sup> / <sub>2</sub>	4 <sup>5</sup> / <sub>8</sub>	5 <sup>7</sup> / <sub>16</sub>	29 <sup>9</sup> / <sub>16</sub>	3	13 <sup>3</sup> / <sub>16</sub>	26 <sup>3</sup> / <sub>16</sub>	33 <sup>3</sup> / <sub>4</sub>	20 <sup>3</sup> / <sub>16</sub>	39 <sup>1</sup> / <sub>4</sub>	71 <sup>1</sup> / <sub>16</sub>	37 <sup>1</sup> / <sub>4</sub>	22 <sup>1</sup> / <sub>8</sub>	19 <sup>1</sup> / <sub>2</sub>	36 <sup>5</sup> / <sub>8</sub>	11	2
P42	39 <sup>1</sup> / <sub>2</sub>	42	20 <sup>3</sup> / <sub>8</sub>	4 <sup>1</sup> / <sub>16</sub>	5 <sup>1</sup> / <sub>2</sub>	30 <sup>9</sup> / <sub>16</sub>	3	14 <sup>5</sup> / <sub>16</sub>	27 <sup>3</sup> / <sub>8</sub>	34 <sup>3</sup> / <sub>8</sub>	21 <sup>5</sup> / <sub>16</sub>	43 <sup>9</sup> / <sub>16</sub>	8	41 <sup>1</sup> / <sub>2</sub>	23 <sup>1</sup> / <sub>8</sub>	20 <sup>5</sup> / <sub>8</sub>	37 <sup>1</sup> / <sub>16</sub>	12 <sup>1</sup> / <sub>16</sub>	2
P52	47	52	21 <sup>7</sup> / <sub>8</sub>	5 <sup>1</sup> / <sub>16</sub>	5 <sup>3</sup> / <sub>8</sub>	33 <sup>3</sup> / <sub>16</sub>	3	14 <sup>5</sup> / <sub>8</sub>	28 <sup>3</sup> / <sub>4</sub>	36 <sup>3</sup> / <sub>16</sub>	22 <sup>1</sup> / <sub>16</sub>	53 <sup>5</sup> / <sub>8</sub>	7 <sup>5</sup> / <sub>16</sub>	47 <sup>3</sup> / <sub>8</sub>	23 <sup>1</sup> / <sub>8</sub>	22	39	12 <sup>1</sup> / <sub>16</sub>	2

MONTIGO / PHENOM / PL42 / SPECKLED STONES AND DRIFTWOOD

MONTIGO / PHENOM / PL42 / SAGE FIREBEADS



REMOTE<sup>†</sup>  
RX200\*\*



WALL REMOTE  
REC1493



BLACK PORCELAIN<sup>†</sup>  
PPL\*\*



UPLIGHTING<sup>†</sup>

OPTIONS &  
FEATURES

<sup>†</sup>Standard for full load units

# Unit Specifications

## Icon Legend

AVAILABLE +

NOT AVAILABLE -

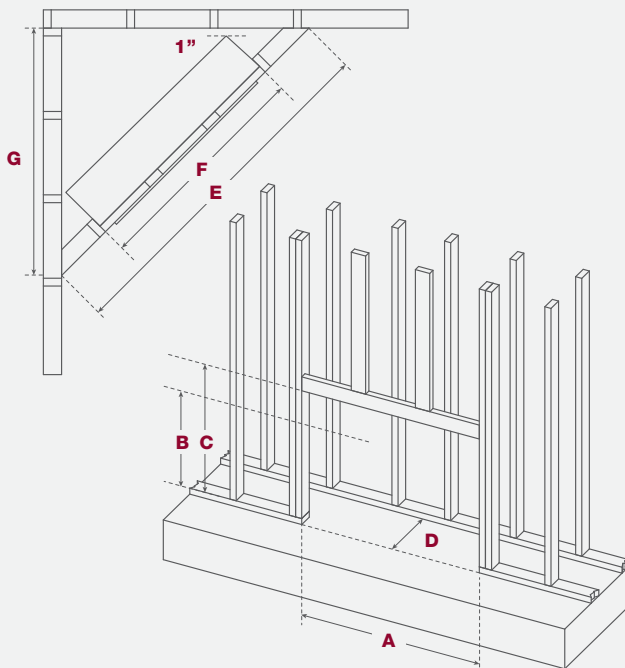
DEDICATED ◊

STANDARD ○

	BTU Natural Gas	BTU Liquid Propane	Venting	Clearance Top - Rear vent	Clearance Top - Top vent	Clearance Sides	Clearance Back	Clearance Floor	Front viewing area	Front glass type	Standard media	Invisimesh screen	Powervent	Remote control	Fans	Uplighting	Downlighting
PL38DF*I	25,000	25,000	5"/8"	9	17½	0	0	0	35¾ × 19½	Borosilicate	HW1082	○	+	+	+	-	-
PL42DF*I	32,000	32,000	5"/8"	9	17½	0	0	0	39½ × 20¾	Borosilicate	HW1082	○	+	+	+	-	-
PL52DF*I	40,000	40,000	5"/10"	12	26	2½	1	0	47 × 21⅞	Tempered	HW1082	○	+	+	+	-	-
P38DF*I	25,000	25,000	5"/8"	9	17½	0	0	0	35¾ × 19½	Borosilicate	HW1106	○	+	○	○	○	-
P42DF*I	32,000	32,000	5"/8"	9	17½	6	0	0	39½ × 20¾	Borosilicate	HW1106	○	+	○	○	○	-
P52DF*I	40,000	40,000	5"/10"	12	26	2½	1	0	47 × 21⅞	Tempered	HW1106	○	+	○	○	○	-
L38FSD*I	27,000	27,000	5"/8"	24	24	6	2	0	35¼ × 19¾	Borosilicate	HW1082	○	+	+	+	-	-
L42FSD*I	34,000	34,000	5"/8"	24	24	6	2	0	39½ × 20¾	Borosilicate	HW1082	○	+	+	+	-	-
L52FSD*I	40,000	40,000	5"/8"	24	24	6	2	0	47 × 21¾	Tempered	HW1082	○	+	+	-	-	-

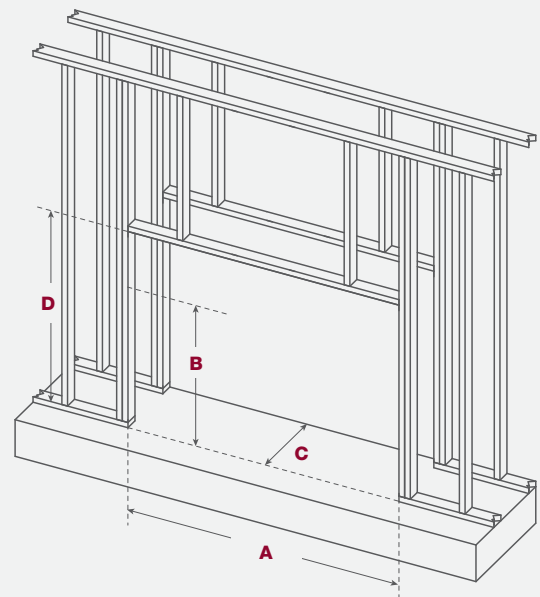
## PHENOM SINGLE SIDED FRAMING

	A	B†	C	D	E	F	G
P38	37¾	34¼	41¼	20⅞	76¼	37¾	53⅞
P42	42	35	42	21⅞	84½	42	59¾
P52	52	37½	43¾	24½	98	52	64¼



## PHENOM SEE THROUGH FRAMING

	A	B†	C	D
P38	41	34½	23¾	40
P42	45	35	23¾	40
P52	59	N/A	23¾	39



† "B" dimension is from grade to non-combustible stud  
Header on edge not required if framing meets clearance to venting