

 Malm Fireplaces, Inc.

Gas Carousel

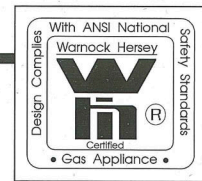


After 28 years manufacturing the wood burning Carousel Malm now adds the beautiful Gas Carousel with the same high quality and unique design. This elegant free standing fireplace is available in matte black, 10 decorator colors fired in porcelain, and solid satin brass.

The versatility of the Gas Carousel is unlimited, center of the room, in the corner, or near a straight wall with only a 6" clearance from combustible materials. Remote control is standard with the Gas Carousel.

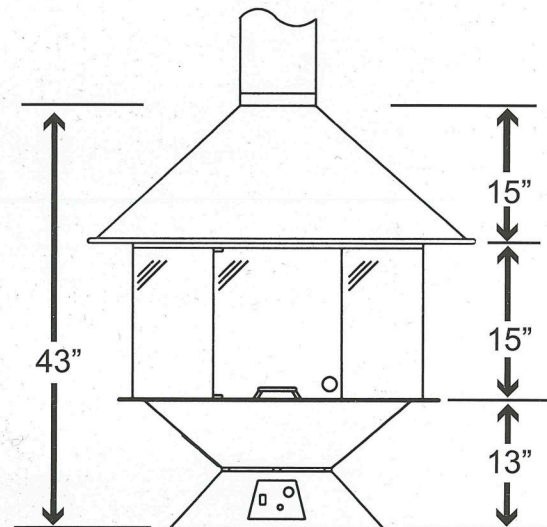


GAS CAROUSEL



Test Report No. J960002431-231
ANSI Z21.50-1996-CGA 2.22-M96

Must Be Connected to 8" All Fuel Chimney
(Do not connect to gas "B" Vent)

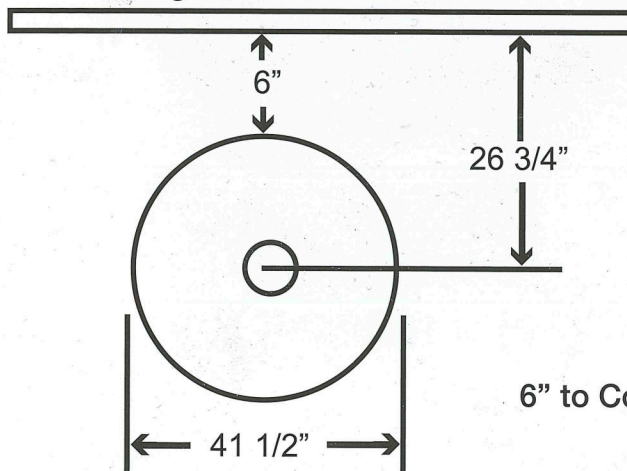


Features:

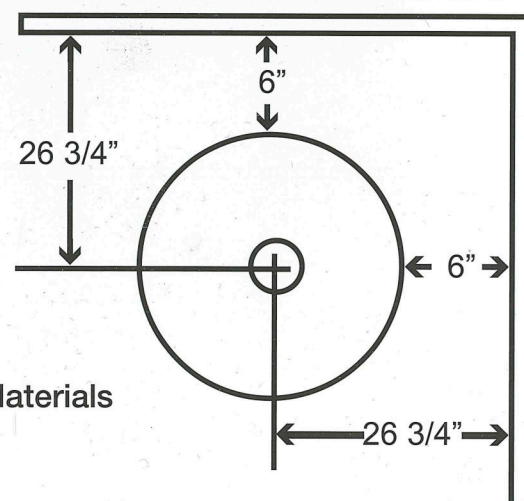
- BTU Input: Natural Gas 62,000
- Propane 55,000
- Wall Clearance to combustibles 6"
- Requires Class A all-fuel chimney
- Adjustable flame height
- Remote control included - Optional thermostat available
- Piezo ignitor
- Millivolt pilot system does not require power
- Includes matching pipe to 8' ceiling height
- Ceramic fiber logs with realistic glowing embers
- Constructed from 12 and 16 Gauge Steel
- Ceramic glass provides 360° view of fire
- Can be placed directly on carpet or wood floors
- Listed by Warnock Hersey - USA and Canada
- Limited 5 Year Warranty

CLEARANCES

Straight Wall Clearance 6"



Corner Installation Clearance 6"



6" to Combustible Materials

Malm Fireplaces, Inc.

368 Yolanda Avenue - Santa Rosa Ca 95404

(707) 523-7755 (800) 535-8955

Fax: (707) 571-8036

www.malmfireplaces.com

email: info@malmfireplaces.com



Dealer:

Toronto Home Comfort

Store#1 31-2300 Lawrence Ave. E.

Store#2 174-7250 Keele St.

416-755-8624

www.TorontoHomeComfort.com