



# Malm Fireplaces

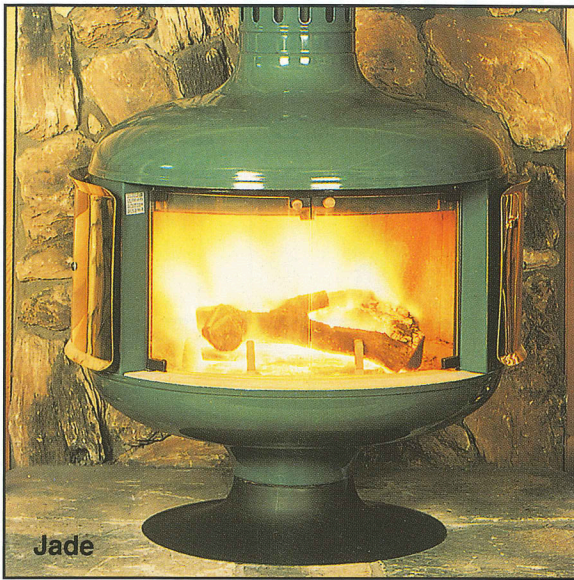
f o r h o m e a n d f u n



The finest in free standing fireplaces . . . from Malm

# Fire Drum 2

Discover design excellence and the heating efficiency of



Jade

## Fire Drum 2

Architect designed, this fireplace is built for lasting beauty and efficiency. Available in porcelain color, matte black, brass, nickel, or copper plated.

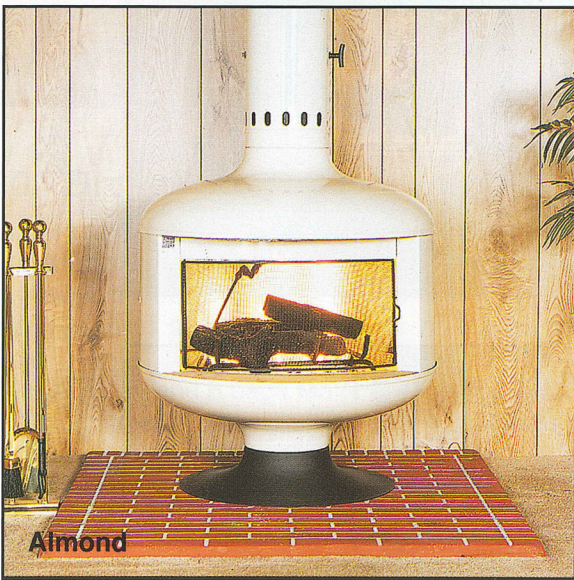
Included with each fireplace is a fire screen, 2 sections of pipe 9" x 24" and 1 - 9" x 18" to 8" slip section in matching color.

This model requires a back wall clearance of 8 inches and a corner clearance of 12 inches from combustible materials.

Optional: Convection baffles (as a color accent or contrasting finish, measurement for clearance from wall taken from main body of unit not baffles). Curved ceramic glass doors. A 20 inch grate is recommended.

Patent #D203909

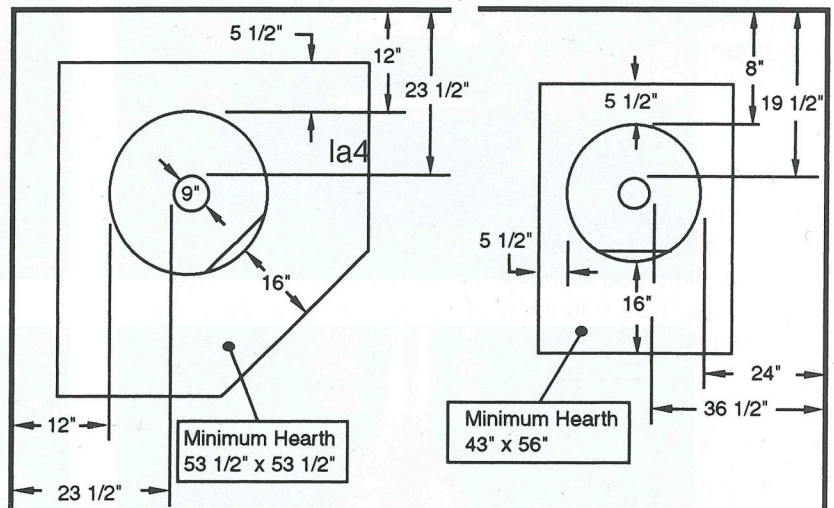
Ship weight 500 lbs.



Almond

## MINIMUM CLEARANCES TO COMBUSTIBLE MATERIALS

Fire Drum 2 clearance is from the body of the unit, not from the baffle



Fire Drum 2  
Corner Installation

Fire Drum 2  
Rear Wall Installation

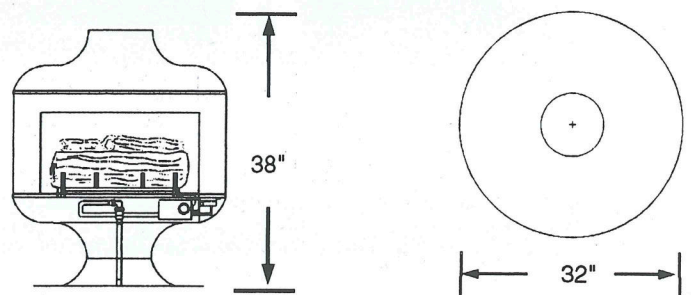


S.F. Red

## Gas Fire Drum GF2

### Features:

- \* 26,700 BTU Input
- \* Safety Pilot
- \* Piezo Ignition System
- \* Choice of Natural or LP Gas
- \* Thermally Actuated Damper



GREATER HEAT EFFICIENCY! Dramatic Swirling Flames! **Spin-A-Fire™**

**Spin-A-Fire**

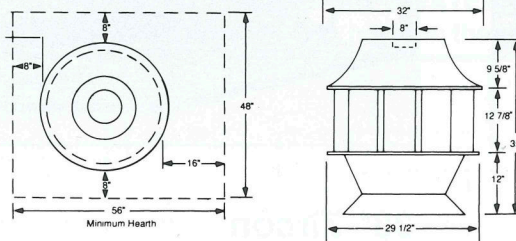
Available in Brass, Copper, Nickel Plated, as well as Matte Black and several Porcelain colors. The Black and Porcelain units require 8" all-fuel chimney and the Plated units require 6" all-fuel chimney down to the top of the hood.

The *Spin-A-Fire* is designed and manufactured with Malm's highest quality for lasting beauty and excellent burning efficiency. Outside-Air model available. Clearances: Combustible wall...36" Patent # 3.499.432



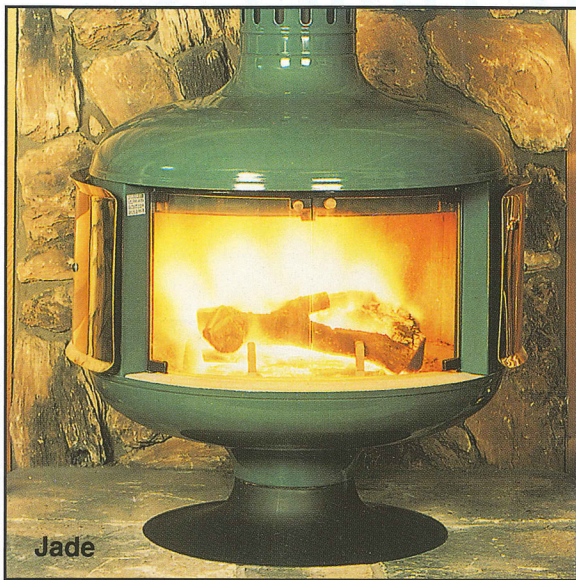
Listed by Warnock Hersey  
Tested to U/L standards 737

Spin-A-Fire shown with porcelain ash base is optional and requires an additional charge. Standard models come with a matte black base.



# Fire Drum 2

Discover design excellence and the heating efficiency of a



Jade

## Fire Drum 2

Architect designed, this fireplace is built for lasting beauty and efficiency. Available in porcelain color, matte black, brass, nickel, or copper plated.

Included with each fireplace is a fire screen, 2 sections of pipe 9" x 24" and 1 - 9" x 18" to 8" slip section in matching color.

This model requires a back wall clearance of 8 inches and a corner clearance of 12 inches from combustible materials.

Optional: Convection baffles (as a color accent or contrasting finish, measurement for clearance from wall taken from main body of unit not baffles). Curved ceramic glass doors. A 20 inch grate is recommended.

Patent #D203909

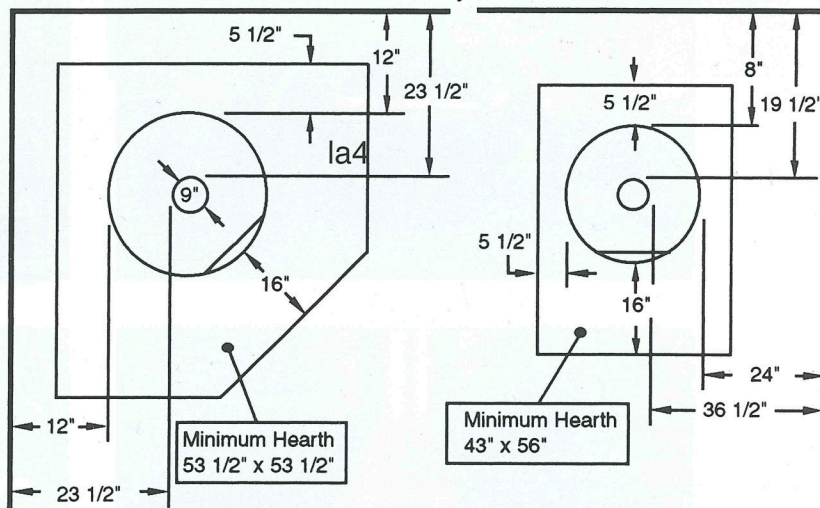
Ship weight 500 lbs.



Almond

### MINIMUM CLEARANCES TO COMBUSTIBLE MATERIALS

Fire Drum 2 clearance is from the body of the unit, not from the baffle



Fire Drum 2  
Corner Installation

Fire Drum 2  
Rear Wall Installation

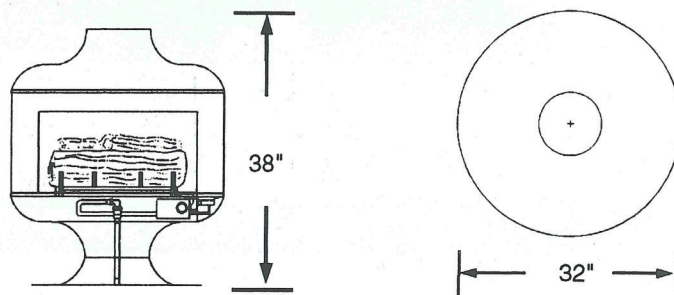


S.F. Red

## Gas Fire Drum GF2

### Features:

- \* 26,700 BTU Input
- \* Safety Pilot
- \* Piezo Ignition System
- \* Choice of Natural or LP Gas
- \* Thermally Actuated Damper



refractory brick lined freestanding fireplace in a steel shell.

# Fire Drum 3

## Fire Drum 3

The most popular of all the free-standing fireplace models. 12 to 16 gauge steel spinnings form a manufactured sculptured shell.

Available in porcelain color, matte black, brass, nickel, or copper plated. Included with each unit is a fire screen, 2 sections of pipe 9" x 24" and 1-9" x 18" to 8" slip section in matching color, and a unique cast iron cooking grill. Large viewing opening and 28 inch interior diameter. Refractory brick lined to give close clearance to combustibles, 8 inches.

**See minimum clearances for more details.**

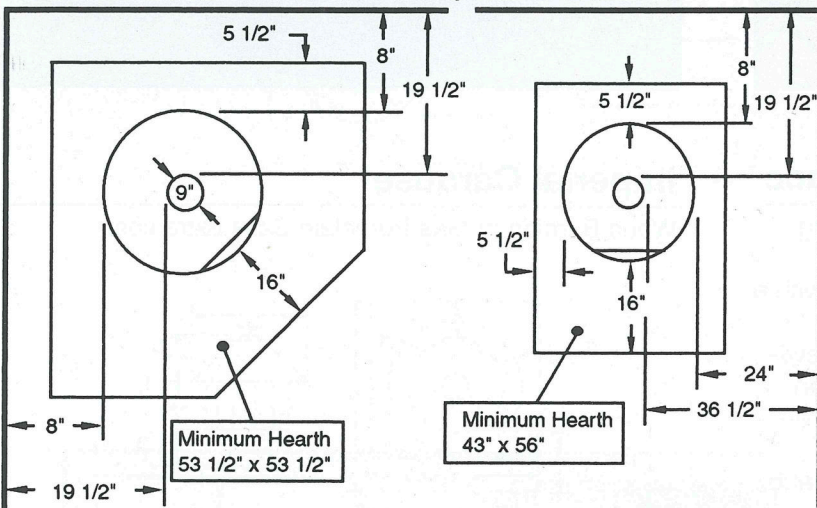
Do not connect Fire Drum 3 to 8" chimney when using 90 degree elbow story installation. greate is recommended.



Patent #D25096  
Ship weight 500 lbs.

### MINIMUM CLEARANCES TO COMBUSTIBLE MATERIALS

Fire Drum 2 clearance is from the body of the unit, not from the baffle

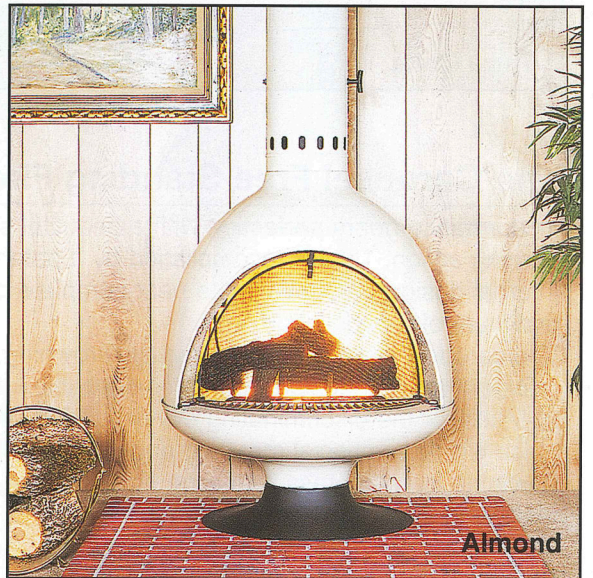


Fire Drum 3  
Corner Installation

Fire Drum 3  
Rear Wall Installation



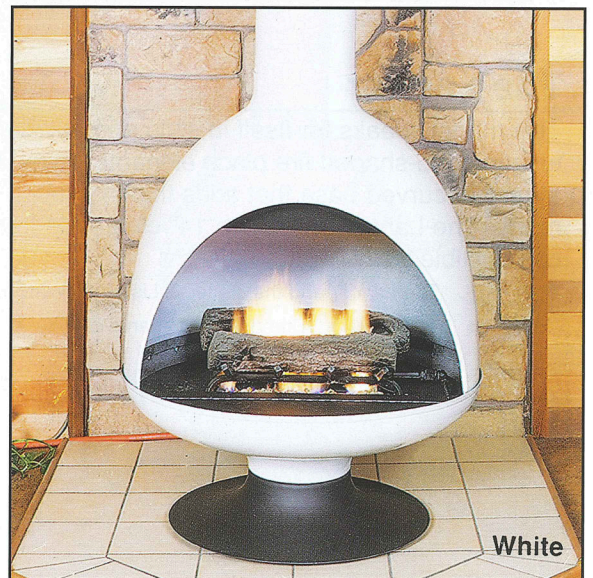
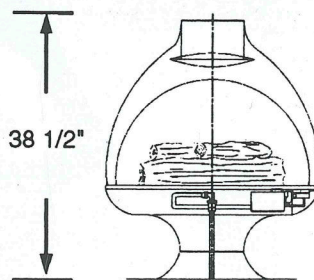
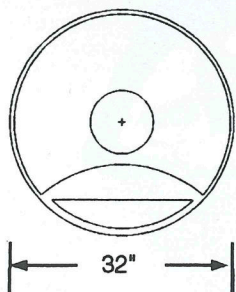
Slate



Almond

## Gas Fire Drum GF3

- \* Close 3" Wall Clearance
- \* Installed Using 8" B-Vent Gas Venting
- \* Available in all Malm Porcelain Colors
- \* Listed by Warnock Hersey
- \* Tested to ANSI Z21.50b-1990



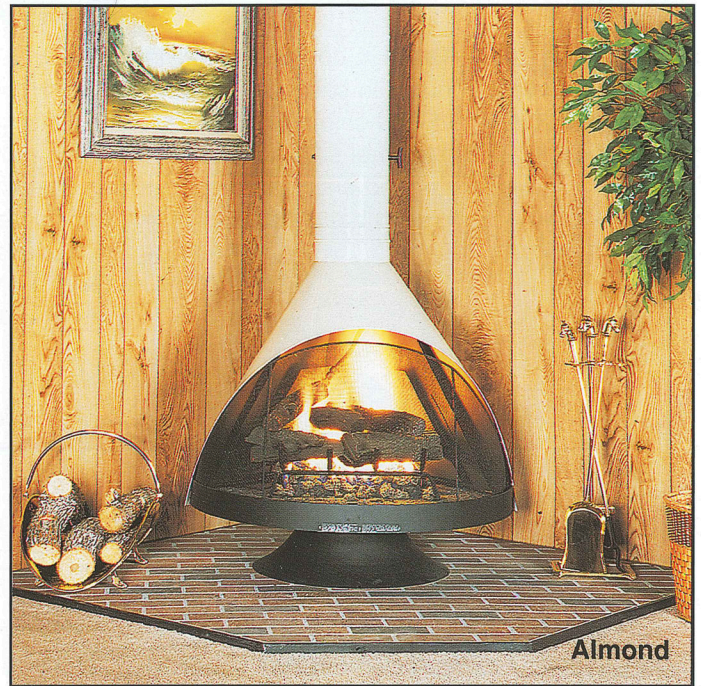
White

# 30" Zircon

# 38" Zircon



Camel



Almond

## 30" Zircon

Modern in design, this conical shaped fireplace radiates warmth and cheer into the room. Available in matte black and 17 beautiful porcelain colors. Includes lift-off screen, two sections of 7" x 24" pipe. One 7" x 30" pipe, and 6 bags Malm refractory.



Listed by Warnock Hersey  
Tested to U/L Standards 737

### Fireplace specifications

Model	A	B	C	D	E
Zircon 30	96"	30"	31"	7"	20.5"
Zircon 38	101"	38"	36.5"	9"	28"

## 38" Zircon

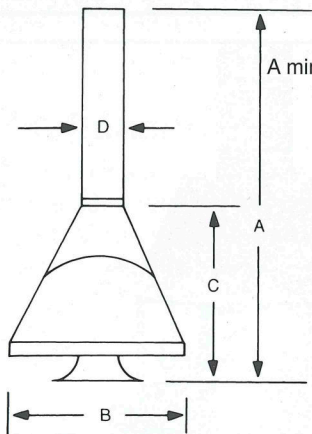
A larger version of the 30" Zircon, this model provides an excellent view of the fire and provides warmth and cheer. Available in matte black and 17 beautiful porcelain colors. Includes lift-off screen, three sections of 9 x 24" pipe, and 10 bags of Malm refractory. Includes 9" to 10" adapter.



Listed by Warnock Hersey  
Tested to U/L Standards 737

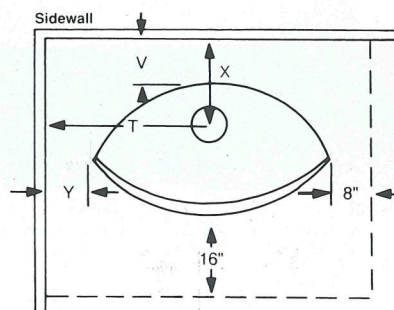
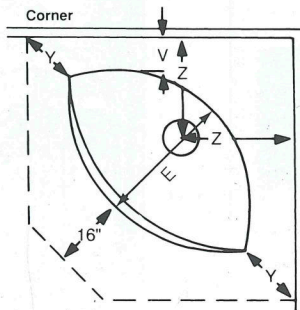
### Clearances to combustibles

Model	T	V	X	Y	Z
Zircon 30	33"	16"	22"	24"	27"
Zircon 38	43"	18"	23"	24"	31"



### Floor Covering is Mandatory

A minimum of 3/8" thick non-combustible material such as brick, concrete, slate, or ceramic tile must cover floor and extend 16" to the front and 8" to the sides.



## Malm Fireplaces, Inc.

368 Yolanda Avenue Santa Rosa, CA 95404  
(707) 523-7755 fax: (707) 571-8036

Dealer:

### Toronto Home Comfort

Toronto 31-2300 Lawrence Ave. E.  
Concord 174-7250 Keele St.  
416-755-8624  
www.TorontoHomeComfort.com