



Grandview® G600EC Gas Fireplace



**Owners &
Installation Manual**
MODEL: G600EC
Medium DV Gas Fireplace

www.regency-fire.com

Warning
Fire or Explosion Hazard
Failure to follow safety warnings exactly could result in serious injury, death, or property damage.

Do not store or use gasoline or other flammable vapors and liquids in the vicinity of this or any other appliance.

WHAT TO DO IF YOU SMELL GAS

- Do not try to light any appliance.
- Do not touch any electrical switch: do not use any phone in your building.
Leave the building immediately.
- Immediately call your gas supplier from a neighbour's phone. Follow the gas supplier's instructions.
- If you cannot reach your gas supplier, call the fire department.

Installation and service must be performed by a qualified installer, service agency or the gas supplier.

Tested by:



Certified to/Certifié pour: ANSI Z21.88-2017
CSA 2.33-2017
CSA 2.17-2017

Installer: Please complete the details on the back cover and leave this manual with the homeowner.

Homeowner: Please keep these instructions for future reference.

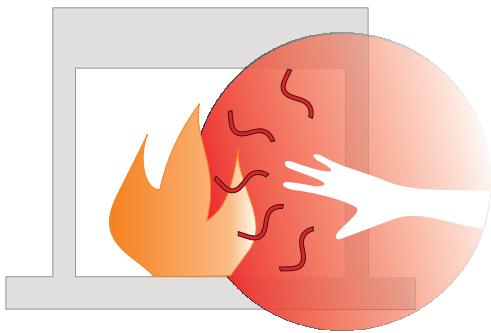
To the New Owner:

Congratulations!

You are the owner of a state-of-the-art Gas Fireplace by REGENCY®. The Grandview™ G600EC has been designed to provide you with all the warmth and charm of a wood fireplace at the flick of a switch. The Grandview™ G600EC has been approved by Intertek for both safety and efficiency. As it also bears our own mark, it promises to provide you with economy, comfort and security for many trouble free years to follow. Please take a moment now to acquaint yourself with these instructions and the many features of your Regency® Fireplace.



DANGER



**HOT GLASS WILL
CAUSE BURNS**

**DO NOT TOUCH GLASS
UNTIL COOLED**

**NEVER ALLOW CHILDREN
TO TOUCH GLASS**

A barrier designed to reduce the risk of burns from the hot viewing glass is provided with this appliance and shall be installed for the protection of children and other at risk individuals.

CAUTION:

**HOT WHILE IN OPERATION. DO NOT TOUCH.
SEVERE BURNS MAY RESULT. KEEP CHILDREN, CLOTHING, FURNITURE,
GASOLINE, AND ANY LIQUIDS WITH FLAMMABLE VAPOURS AWAY.**

**KEEP BURNER AND CONTROL COMPARTMENT CLEAN.
SEE INSTALLATION AND OPERATING INSTRUCTIONS ACCOMPANYING
APPLIANCE.**

919-358

MANUFACTURED MOBILE HOME REQUIREMENTS

INFORMATION FOR MOBILE/MANUFACTURED HOMES AFTER FIRST SALE

This Regency® product has been tested and listed by Intertek as a Direct Vent Wall Furnace to the following standards: to Vented Gas Fireplace Heaters ANSI Z21.88-2017 • CSA 2.33-2017 and Gas-fired Appliances for Use at High Altitudes CSA 2.17-2017.

This Direct Vent System Appliance must be installed in accordance with the manufacturer's installation instructions and the Manufactured Home Construction and Safety Standard, Title 24 CFR, Part 3280, or the current Standard of Fire Safety Criteria for Manufactured Home Installations, Sites, and Communities ANSI/NFPA 501A, and with CAN/CSA Z240-MH Mobile Home Standard in Canada.

This appliance installation must comply with the manufacturer's installation instructions and local codes, if any. In the absence of local codes follow the current National Fuel Gas Code, ANSI Z223.1 and the current National Electrical Code ANSI/NFPA 70 in the U.S.A., and the current CAN/CGA B149 Gas Installation Code and the current Canadian Electrical Code CSA C22.1 in Canada.

This appliance comes equipped with a dedicated #8 Ground Lug for attachment of the ground wire to the steel chassis as applicable to local codes.

The appliance, when installed, must be electrically grounded in accordance with local codes or, in the absence of local codes, with the National Electrical Code, ANSI/NFPA 70, or the Canadian Electrical Code, CSA C22.1.

This appliance may only be installed in an aftermarket permanently located, manufactured (U.S.A only) or mobile home, where not prohibited by local codes.

This appliance can only be used with the type of gas indicated on the rating plate. This appliance is not convertible for use with other gases.

Ensure that structural members are not cut or weakened during installation.



NATIONAL FIREPLACE INSTITUTE
CERTIFIED
www.nficertified.org

We recommend that our products be installed and serviced by professionals who are certified in the U.S. by the National Fireplace Institute® (NFI) or in Canada by Wood Energy Technical Training (WETT).



Wood Energy Technical Training
www.wett.ca

This appliance may be installed in an aftermarket permanently located, manufactured (U.S.A. only) or mobile home, where not prohibited by local codes.

This appliance is only for use with the type of gas indicated on the rating plate. A conversion kit is supplied with the appliance.



WARNING

CARBON MONOXIDE POISONING HAZARD

Failure to follow the steps outlined below for each appliance connected to the venting system being placed into operation could result in carbon monoxide poisoning or death. The following steps shall be followed for each appliance connected to the venting system being placed into operation, while all other appliances connected to the venting system are not in operation:

1. Seal any unused openings in the venting system.
2. Inspect the venting system for proper size and horizontal pitch, as required in the *National Fuel Gas Code*, ANSI Z223.1/NFPA 54 or the *Natural Gas and Propane Installation Code*, CSA B149.1 and these instructions. Determine that there is no blockage or restriction, leakage, corrosion and other deficiencies which could cause an unsafe condition.
3. As far as practical, close all building doors and windows and all doors between the space in which the appliance(s) connected to the venting system are located and other spaces of the building.
4. Close fireplace dampers.
5. Turn on clothes dryers and any appliance not connected to the venting system. Turn on any exhaust fans, such as range hoods and bathroom exhausts, so they are operating at maximum speed. Do not operate a summer exhaust fan.
6. Follow the lighting instructions. Place the appliance being inspected into operation. Adjust the thermostat so appliance is operating continuously.
7. Test for spillage from draft hood equipped appliances at the draft hood relief opening after 5 minutes of main burner operation. Use the flame of a match or candle.
8. If improper venting is observed during any of the above tests, the venting system must be corrected in accordance with *National Fuel Gas Code*, ANSI Z223.1/NFPA and/or *Natural Gas and Propane Installation Code*, CSA B149.1.
9. After it has been determined that each appliance connected to the venting system properly vents when tested as outlined above, return doors, windows, exhaust fans, fireplace damper and any other gas-fired burning appliance to the previous conditions of use.

Other considerations:

Non-metallic venting systems shall not interchange components with another listed or unlisted metallic venting system.

| | |
|----------------------------|---|
| Copy of Safety Decal | 7 |
| Decal Location | 7 |
| Unit Dimensions | 9 |

Owner's Information

| | |
|---|----|
| Before You Start | 10 |
| Lighting Procedure | 11 |
| On Demand Pilot (Seven-Day Safety Timer) | 11 |
| Shutdown Procedure | 11 |
| Copy of Lighting Plate Instructions | 12 |
| Proflame II Remote Control Operating Instructions | 13 |
| Safety Screen and Glass Door Removal | 17 |

Installer's Information

| | |
|--|----|
| General Safety Information | 18 |
| Installation Checklist | 19 |
| Locating Your Gas Fireplace | 19 |
| Clearance / Framing and Venting Configurations | 20 |

Installation

| | |
|---|----|
| Cool Wall Installation (Combustible Finishing) | 21 |
| Non Combustible Installation | 21 |
| Unit Assembly Prior to Installation | 22 |
| Nailing Flange Installation | 23 |
| Cool Wall Clearances | 25 |
| Cool Wall Mantel Clearances | 26 |
| Cool Wall Mantel Leg Clearances | 26 |
| Cool Wall Installation—Framing | 27 |
| Cool Wall Installation—Cool Wall Clearances | 28 |
| Chase Venting | 29 |
| Chase Vent Installation—Cool Wall | 30 |
| Clean Front Installation (Non Cool Wall)—Clearances | 31 |
| Clean Front Installation (Non Cool Wall) —Mantel Clearances | 32 |
| Clean Front Installation (Non Cool Wall) —Mantel Leg Clearances | 33 |
| Clean Front Installation (Non Cool Wall) —Non Combustible Requirements | 33 |
| Clean Front Installation—Framing (Non Cool Wall) | 34 |
| Optional Clean Front Trim Installation Instructions | 35 |
| Outside Finish Installation (Non Cool Wall) —Clearances | 36 |
| Outside Finish Installation (Non Cool Wall) —Mantel Clearances | 37 |
| Outside Finish Installation (Non Cool Wall) —Mantel Leg Clearances | 37 |
| Outside Finish Installation (Non Cool Wall)—Framing | 38 |
| Outside Finish—Finishing | 39 |
| Faceplate Installation | 40 |
| Finishing Trim Installation | 41 |
| Wall Board/Drywall Installation G600EC | 43 |
| Conversion to Rear Vent | 44 |
| Vent Restrictor Installation | 47 |
| Venting Introduction | 47 |
| Exterior Vent Termination Requirements | 48 |
| 4" X 6-5/8" Rigid Pipe—Cross Reference Chart only | 49 |
| Venting Arrangements for Horizontal Terminations — Flex Vent or Rigid Pipe 4" x 6-5/8" | 51 |

| | |
|--|----|
| Rigid Pipe Venting Systems—Horizontal or Vertical Terminations | 52 |
| Venting Arrangements—Horizontal Termination—Rigid Pipe and FPI Direct Vent System (Flex) | 53 |
| Venting Arrangements Vertical Termination—Rigid Pipe System and Vertical Flex Kit to Same Limitations | 54 |
| Horizontal Terminations Two (2) 90° Elbows | 55 |
| Horizontal Terminations Three (3) 90° Elbows | 55 |
| Vertical Venting With Two (2) 90° Elbows | 56 |
| Vertical Venting With Three (3) 90° Elbows | 56 |
| Vertical Terminations—Three (3) 90° Elbows (Rigid Pipe 4" x 6 - 5/8") | 57 |
| Venting Arrangements With Co-linear Flex System Into a Masonry Chimney Application | 58 |
| Venting Arrangement—Vertical Terminations—Co-linear Flex System Into Masonry Fireplaces | 59 |
| Unit Installation With Horizontal Termination | 60 |
| Unit Installation With Vertical Termination | 61 |
| Direct Vent System (Flex) Installation Procedures | 62 |
| Vertical Termination 4' x 6-7/8' Venting—Vertical Flex Vent Kit | 63 |
| Vertical Flue Extension Kit | 64 |
| Ceiling Firestop/Firestop Spacer | 64 |
| Conversion From NG to LP | 65 |
| Brick Panel Installation | 67 |
| Enamel/Steel Panel Installation | 68 |
| Log set Installation | 69 |
| Crystal Tray Instalaltion | 73 |
| Pilot Adjustment | 74 |
| High Elevation | 74 |
| System Data | 74 |
| 885 S.I.T. Valve Description | 74 |
| Gas Pipe Pressure Testing | 74 |
| Wall Mount On/Off Switch Battery Holder | 75 |
| Aeration Adjustment | 76 |
| Electrical Access and Installation | 76 |
| Wiring Diagram Without Thermostat | 77 |
| Optional Wall Thermostat | 78 |
| Wiring Diagram With Optional Thermostat | 78 |
| Operation Using an Optional Wall Thermostat | 78 |
| Installing the Optional Fan Prior to Unit Installation Into Framing | 79 |
| Fan Install After Unit Installation | 80 |

Operating Instructions

| | |
|---|----|
| Operating Instructions | 81 |
| First Fire | 81 |
| Normal Operating Sounds of Gas Appliances | 81 |
| Battery Backup | 82 |
| Copy of Lighting Plate Instructions | 83 |

Maintenance

| | |
|--------------------------------|----|
| Maintenance Instructions | 84 |
| General Vent Maintenance | 84 |
| Log Replacement | 84 |
| Glass Gasket | 84 |
| Door Glass | 84 |
| Glass Replacement | 84 |

table of contents

Light Bulb Replacement—Bottom Lights + Top Light85
Valve Replacement.....86
IFC Replacement.....87
Gas Appliance Maintenance.....88


Parts

Main Assembly Diagram.....89
Main Assembly—Parts List.....90
Optional Accessories.....91

Warranty92

This is a copy of the label that accompanies each Grandview™ G600EC Direct Vent Gas Fireplace. We have printed a copy of the contents here for your review. **NOTE:** Regency® units are constantly being improved. Check the label on the unit and if there is a difference, the label on the unit is the correct one.


Copy of Safety Decal



Listed/Nom: Vented Gas Fireplace Heater / Foyer au Gaz à Évacuation
Certified to/Certifié pour: ANSI Z21.88-2017 • CSA-2.33-2017
 CSA 2.17-2017

MAY BE INSTALLED IN MANUFACTURED (MOBILE) HOMES AFTER FIRST SALE.
 Refer to Intertek's Directory of Building Products for detailed information.
 Pour plus de détails, se reporter au Répertoire des produits de construction de Intertek.

DO NOT REMOVE THIS LABEL / NE PAS ENLEVER CETTE ÉTIQUETTE



543

Serial No./ No de série

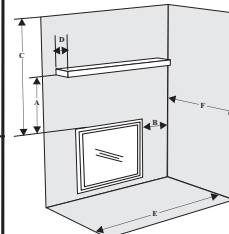
543

NATURAL GAS: Model G600EC-NG

| | | | | |
|-------------------------|--------|---------|------------|----------------------------------|
| Minimum supply pressure | 5.0" | WC/C.E. | (1.25 kPa) | Pression d'alimentation minimale |
| Manifold pressure high | 3.8" | WC/C.E. | (0.94 kPa) | Pression manifold - haute |
| Manifold pressure low | 1.1" | WC/C.E. | (0.27 kPa) | Pression manifold - basse |
| Orifice size | #46 | DMS | | Taille de l'orifice |
| Minimum input | 11,500 | Btu/h | 3.37 kWh | Débit calorifique minimal |
| Maximum input | 21,000 | Btu/h | 6.15 kWh | Débit calorifique maximal |
| Altitude | 0-4500 | ft/pi | (0-1372 m) | Altitude |

APPAREIL FONCTIONNANT AU GAZ NATUREL
Modèle G600EC-NG

Minimum Clearances to Combustibles / Rear Vent—Cool Wall-Clean Front
Dégagements minimaux par rapport aux matériaux combustibles / évacuation
arrière-mur froid-façade épurée



0" Clearance to combustibles from Top, sides, and bottom of unit
0.5" Clearance to combustibles from rear of unit
Mantel Clearances from Fireplace Opening /
Side Wall Clearance from Fireplace Opening /
Opening /
B) Min 6" (152 mm)
Ceiling from Top of Fireplace Opening:
C) Min. 44.25" (1124 mm)
Mantel Depth:
D) Max. 12" (305 mm)
Alcove Clearances:
E) Min. Width 84" (2134 mm)
F) Max. Depth 36" (914 mm)
Minimum Vent Clearances:
Horizontal Top 2" (51 mm)
Horizontal Side 1-1/2" (38 mm)
Horizontal Bottom 1-1/2" (38 mm)
Vertical Vent 1-1/2" (38 mm)

DOOR SEAL: Please check that the door is properly sealed
 (See Instruction Manual for detailed instructions)

PROPANE GAS: Model G600EC-LP

| | | | | |
|-------------------------|--------|---------|------------|----------------------------------|
| Minimum supply pressure | 11" | WC/C.E. | (2.74 kPa) | Pression d'alimentation minimale |
| Manifold pressure high | 10" | WC/C.E. | (2.49 kPa) | Pression manifold - haute |
| Manifold pressure low | 6.4" | WC/C.E. | (1.60 kPa) | Pression manifold - basse |
| Orifice size | #55 | DMS | | Taille de l'orifice |
| Minimum input | 16,500 | Btu/h | 4.84 kWh | Débit calorifique minimal |
| Maximum input | 20,500 | Btu/h | 6.01 kWh | Débit calorifique maximal |
| Altitude | 0-4500 | ft/pi | (0-1372 m) | Altitude |


APPAREIL FONCTIONNANT AU GAZ PROPANE
Modèle G600EC-LP

This appliance must be installed in accordance with local codes, if any; if none, follow the National Fuel Gas Code, ANSI Z223.1, or Natural Gas and Propane Installation Code, CSA B149.1. This appliance must be installed in accordance with the Standard CAN/CSA Z240 MH, Mobile Housing, in Canada, or with the Manufactured Home Construction and Safety Standard, Title 24 CFR, Part 3280, in the United States, or when such a standard is not applicable, ANSI/NCSSBCS A225.1/NFPA 501A, Manufactured Home Installations Standard or ANSI A119.2 ou NFPA 501C Standard for Recreational Vehicles. This appliance is only for use with the type of gas indicated on the rating plate and may be installed in an aftermarket, permanently located, manufactured (mobile) home where not prohibited by local codes. See owner's manual for details. This appliance is not convertible for use with other gases, unless a certified kit is used. (Kit #761-969), Fan Part # 761-917. Installer l'appareil selon les codes ou règlements locaux, ou, en l'absence de tels règlements, selon les codes d'installation ANSI Z223.1, National Fuel Gas Code ou CSA-B149.1 en vigueur. Installer l'appareil selon la norme CAN/CSA-Z240, Série MM, Maison mobiles ou CAN/CSA-Z240 VC, Véhicules de camping, ou la norme 24 CFR Part 3280, Manufactured Home Construction and Safety Standard. Si ces normes ne sont pas pertinentes, utilisez la norme ANSI/NCSSBCS A225.1/NFPA 501A, Manufactured Home Installations Standard, ou ANSI A119.2 ou NFPA 501C Standard for Recreational Vehicles. Cet appareil doit être utilisé uniquement avec le type de gaz indiqué sur la plaque signalétique. Cet appareil peut être installé dans une maison préfabriquée ou mobile (É.-U., seulement) installée à demeure si les règlements locaux le permettent. Voir la notice de l'utilisateur pour plus de renseignements. Cet appareil ne peut pas être utilisé avec d'autres gaz sauf si une trousse de conversion certifiée est fournie.

This vented gas fireplace heater is not for use with air filters.
FOR USE WITH GLASS DOORS CERTIFIED WITH THE APPLIANCE ONLY
For Use Only with Barrier (Part # 776-109/P)
 Part No. 946-556 HeatWave Kit may be used. La trousse HeatWave (pièce no. 946-556) peut être utilisée.

Ne pas utiliser de filtre à air avec ce foyer au gaz à évacuation.
POUR UTILISATION UNIQUEMENT AVEC LES PORTES EN VERRE CERTIFIÉES AVEC L'APPAREIL
Utiliser uniquement avec l'écran (n° 776-109/P)

Electrical supply/Alimentation électrique 115VAC, 1.5A, 60Hz.
NOT FOR USE WITH SOLID FUELS / NE PAS UTILISER AVEC UN COMBUSTIBLE SOLIDE FPI Fireplace Products International Ltd. Delta, BC, Canada Made in Canada/ Fabriqué au Canada



CSA P.4.1 Fireplace Efficiency (FE) /Efficacité énergétique des foyers (EEF) CSA P.4.1
 Natural Gas / Gaz naturel : 64.8%
 Propane Gas / Gaz propane : 67.22%

920-273b

For the State of Massachusetts, installation and repair must be done by a plumber or gas fitter licensed in the Commonwealth of Massachusetts.

For the State of Massachusetts, flexible connectors shall not exceed 36 inches in length.

For the State of Massachusetts, the appliances individual manual shut-off must be a t-handle type valve.

The State of Massachusetts requires the installation of a carbon monoxide alarm in accordance with NFPA 720 and a CO alarm with battery back up in the same room where the gas appliance is installed.

Decal location

DO NOT REMOVE DECAL FROM UNIT.



Remove bottom cover—decal will be on the floor of the unit

installer's information

MA Code - CO Detector (for the State of Massachusetts only)

5.08: Modifications to NFPA-54, Chapter 10

(2) Revise 10.8.3 by adding the following additional requirements:

(a) For all side wall horizontally vented gas fueled equipment installed in every dwelling, building or structure used in whole or in part for residential purposes, including those owned or operated by the Commonwealth and where the side wall exhaust vent termination is less than seven (7) feet above finished grade in the area of the venting, including but not limited to decks and porches, the following requirements shall be satisfied:

1. **INSTALLATION OF CARBON MONOXIDE DETECTORS.** At the time of installation of the side wall horizontal vented gas fueled equipment, the installing plumber or gasfitter shall observe that a hard wired carbon monoxide detector with an alarm and battery back-up is installed on the floor level where the gas equipment is to be installed. In addition, the installing plumber or gasfitter shall observe that a battery operated or hard wired carbon monoxide detector with an alarm is installed on each additional level of the dwelling, building or structure served by the side wall horizontal vented gas fueled equipment. It shall be the responsibility of the property owner to secure the services of qualified licensed professionals for the installation of hard wired carbon monoxide detectors

a. In the event that the side wall horizontally vented gas fueled equipment is installed in a crawl space or an attic, the hard wired carbon monoxide detector with alarm and battery back-up may be installed on the next adjacent floor level.

b. In the event that the requirements of this subdivision can not be met at the time of completion of installation, the owner shall have a period of thirty (30) days to comply with the above requirements; provided, however, that during said thirty (30) day period, a battery operated carbon monoxide detector with an alarm shall be installed.

2. **APPROVED CARBON MONOXIDE DETECTORS.** Each carbon monoxide detector as required in accordance with the above provisions shall comply with NFPA 720 and be ANSI/UL 2034 listed and IAS certified.

3. **SIGNAGE.** A metal or plastic identification plate shall be permanently mounted to the exterior of the building at a minimum height of eight (8) feet above grade directly in line with the exhaust vent terminal for the horizontally vented gas fueled heating appliance or equipment. The sign shall read, in print size no less than one-half (1/2) inch in size, "**GAS VENT DIRECTLY BELOW. KEEP CLEAR OF ALL OBSTRUCTIONS**".

4. **INSPECTION.** The state or local gas inspector of the side wall horizontally vented gas fueled equipment shall not approve the installation unless, upon inspection, the inspector observes carbon monoxide detectors and signage installed in accordance with the provisions of 248 CMR 5.08(2)(a)1 through 4.

(b) **EXEMPTIONS:** The following equipment is exempt from 248 CMR 5.08(2)(a)1 through 4:

1. The equipment listed in Chapter 10 entitled "Equipment Not Required To Be Vented" in the most current edition of NFPA 54 as adopted by the Board; and

2. Product Approved side wall horizontally vented gas fueled equipment installed in a room or structure separate from the dwelling, building or structure used in whole or in part for residential purposes.

(c) **MANUFACTURER REQUIREMENTS - GAS EQUIPMENT VENTING SYSTEM PROVIDED.** When the manufacturer of Product Approved side wall horizontally vented gas equipment provides a venting system design or venting system components with the equipment, the instructions provided by the manufacturer for installation of the equipment and the venting system shall include:

1. Detailed instructions for the installation of the venting system design or the venting system components; and

2. A complete parts list for the venting system design or venting system.

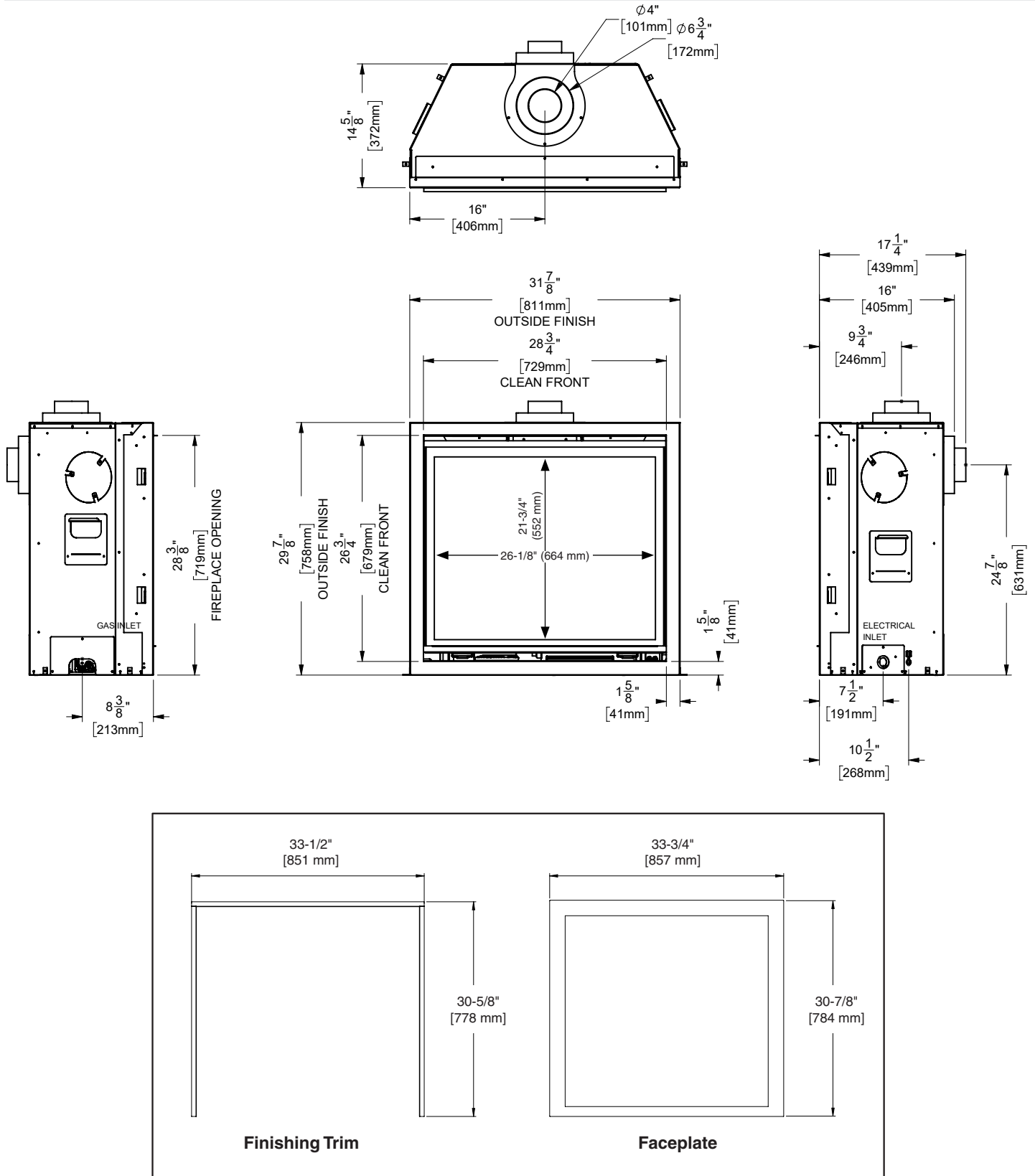
(d) **MANUFACTURER REQUIREMENTS - GAS EQUIPMENT VENTING SYSTEM NOT PROVIDED.** When the manufacturer of a Product Approved side wall horizontally vented gas fueled equipment does not provide the parts for venting the flue gases, but identifies "special venting systems", the following requirements shall be satisfied by the manufacturer:

1. The referenced "special venting system" instructions shall be included with the appliance or equipment installation instructions; and

2. The "special venting systems" shall be Product Approved by the Board, and the instructions for that system shall include a parts list and detailed installation instructions.

(e) A copy of all installation instructions for all Product Approved side wall horizontally vented gas fueled equipment, all venting instructions, all parts lists for venting instructions, and/or all venting design instructions shall remain with the appliance or equipment at the completion of the installation.

Unit Dimensions



ALL PICTURES / DIAGRAMS SHOWN THROUGHOUT THIS MANUAL ARE FOR ILLUSTRATION PURPOSES ONLY. ACTUAL PRODUCT MAY VARY DUE TO PRODUCT ENHANCEMENTS.

owner's information

Before You Start

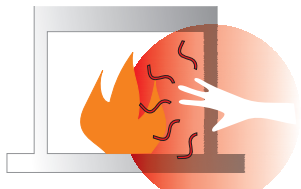
Safe installation and operation of this appliance involves common sense. This is echoed in the reminders the Canadian Safety Standards and ANSI Standards require us to provide you, which follow below.

INSTALLATION AND REPAIR SHOULD BE DONE BY AN AUTHORIZED SERVICE PERSON. THE APPLIANCE SHOULD BE INSPECTED BEFORE USE AND AT LEAST ANNUALLY BY A PROFESSIONAL SERVICE PERSON. MORE FREQUENT CLEANING MAY BE REQUIRED DUE TO EXCESSIVE LINT FROM CARPETING, BEDDING MATERIAL, ETC. IT IS IMPERATIVE THAT CONTROL COMPARTMENTS, BURNERS AND CIRCULATING AIR PASSAGEWAYS OF THE APPLIANCE BE KEPT CLEAN.

DUE TO HIGH TEMPERATURES, THE APPLIANCE SHOULD BE LOCATED OUT OF TRAFFIC AND AWAY FROM FURNITURE AND DRAPERIES.

WARNING: FAILURE TO INSTALL THIS APPLIANCE CORRECTLY WILL VOID YOUR WARRANTY AND MAY CAUSE A SERIOUS HOUSE FIRE.

CHILDREN AND ADULTS SHOULD BE ALERTED TO THE HAZARDS OF HIGH SURFACE TEMPERATURES, ESPECIALLY THE FIREPLACE GLASS, AND SHOULD STAY AWAY TO AVOID BURNS OR CLOTHING IGNITION.



YOUNG CHILDREN SHOULD BE CAREFULLY SUPERVISED WHEN THEY ARE IN THE SAME AREA AS THE APPLIANCE. TODDLERS, YOUNG CHILDREN AND OTHERS MAY BE SUSCEPTIBLE TO ACCIDENTAL CONTACT BURNS. A PHYSICAL BARRIER IS RECOMMENDED IF THERE ARE AT RISK INDIVIDUALS IN THE HOUSE. TO RESTRICT ACCESS TO A FIREPLACE OR STOVE, INSTALL AN ADJUSTABLE SAFETY GATE TO KEEP TODDLERS, YOUNG CHILDREN AND OTHER AT RISK INDIVIDUALS OUT OF THE ROOM AND AWAY FROM HOT SURFACES.

CLOTHING OR OTHER FLAMMABLE MATERIAL SHOULD NOT BE PLACED ON OR NEAR THE APPLIANCE.

A BARRIER DESIGNED TO REDUCE THE RISK OF BURNS FROM THE HOT VIEWING GLASS IS PROVIDED WITH THIS APPLIANCE AND SHALL BE INSTALLED FOR THE PROTECTION OF CHILDREN AND OTHER AT-RISK INDIVIDUALS

ANY SAFETY SCREEN, GUARD, OR BARRIER REMOVED FOR SERVICING THE APPLIANCE, MUST BE REPLACED PRIOR TO OPERATING THE APPLIANCE.

IF THE BARRIER BECOMES DAMAGED, THE BARRIER SHALL BE REPLACED WITH THE MANUFACTURER'S BARRIER FOR THIS APPLIANCE.



WARNING: Cancer and Reproductive Harm
www.P65Warnings.ca.gov

919-874

Lighting Procedure

IMPORTANT: The battery holder and ON/OFF key on the hand held transmitter of the remote control system supplied with this appliance provides several options for startup/operation.

Prior to operating this appliance, please read the remote control operating instructions provided.

1. Ensure the battery holder switch and/or wall mounted battery holder (if equipped) is in the <REMOTE> position.
2. Press and release the ON/OFF button on the remote's handheld transmitter (see Diagram 1). The receiver should beep. If not using the remote, the unit can also be turned on by sliding the battery holder switch to the <ON> position (if equipped).
3. After approximately 4 seconds, the spark ignition system will spark for 60 seconds to light the main burner.



Diagram 1
Remote shown in Manual Mode on Hi

4. The unit will turn on.

Note: The first try for ignition will last approximately 60 seconds. If there is no flame ignition (rectification) the board will stop sparking for approximately 35 seconds. After wait time, the board will start second try for ignition by sparking for approximately 60 seconds. If there is still no positive ignition the board will go into lock out.

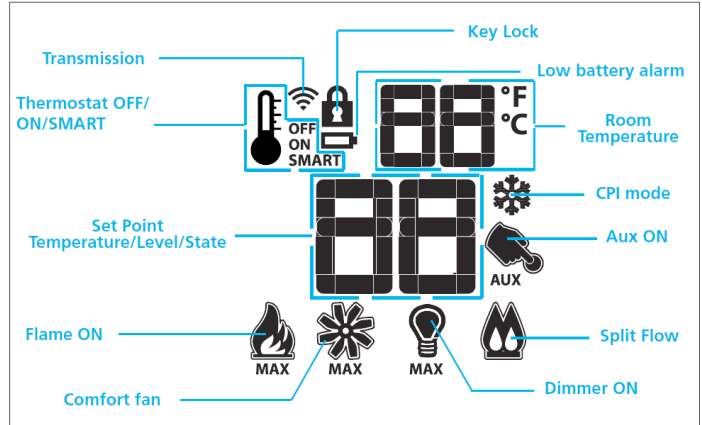


The system will need to be reset as follows:

- a) Turn the system off by pressing the ON/OFF button on the remote.
- b) Wait 5 minutes then repeat from step 2.

Shutdown Procedure

1. Press the ON/OFF button on the remote
2. If service is to be performed- you must disconnect power and shut off gas to the unit.



* Not offered on all models.

Fan Operation: The standard fan can be operated by using the remote control supplied with this unit. See remote control instructions.

Note: In thermostat mode: When the appliance is turned on, the fan will not come on for the first 5 minutes (if fan is turned on). When the appliance is turned off the fan will not turn off for 12 minutes (if in on position)

Manual mode: Fan will turn on and off immediately using the remote control transmitter if the fan function is in the "on" position.

Continuous Pilot/Intermittent Pilot (CPI/IPI) selection

See remote control instructions for details.

On Demand Pilot (seven day safety timer)

Important information if using the appliance in CPI (continuous pilot mode) only

This appliance is a ProFlame 2 system fitted with the "On Demand" Pilot, a safety feature which will shut down the gas valve completely by extinguishing the pilot light in the event of a continuous full seven days of inactivity.

This only applies if the CPI (continuous pilot) switch is in the "on" position in your remote control transmitter.

Each time the main burner shuts down, manually or through the call from the thermostat, the seven day timer starts again.

The seven day inactivity timer is controlled within the circuit board. Therefore, if in CPI mode and when the pilot light is extinguished after seven straight days of inactivity, the CPI setting on the remote control transmitter will remain in the "CPI" (continuous pilot) position. Therefore, all that is required to relight the pilot would be to press the on/off button on the remote control transmitter from "on" to "off" and back to "on". Once the pilot has re-established operation will resume as normal. There is no requirement to do anything with the IPI/CPI mode on the remote control transmitter.

If the unit never goes as long as seven full days without a call for heat, the pilot will remain lit until it is manually shut-off.

If the unit is being operated in IPI (intermittent pilot) mode, neither the above instructions nor the seven day timer will apply.

See the instructions in this manual and on the Lighting Instructions plate on the appliance to light or re-light the pilot.

Copy of Lighting Plate Instructions

| FOR YOUR SAFETY READ BEFORE LIGHTING POUR VOTRE SÉCURITÉ – À LIRE AVANT LA MISE EN MARCHÉ | |
|--|--|
| <p>This appliance must be installed in accordance with local codes, if any; if none, follow the National Fuel Gas Code, ANSI Z223.1/NFPA 54, or Natural Gas and Propane Installation Codes, CSA B149.1. Cet appareil doit être installé conformément aux codes locaux, s'il y a lieu. En l'absence de tels codes, suivre le National Fuel Gas Code, ANSI Z223.1/NFPA 54, ou les Natural Gas and Propane Installation Codes, CSA B149.1.</p> | |
| <p>WARNING: If you do not follow these instructions exactly, a fire or explosion may result causing property damage, personal injury or loss of life. Improper installation, adjustment, alteration, service or maintenance can cause injury or property damage. Refer to the owner's information manual provided with this appliance. For assistance or additional information consult a qualified installer, service agency or gas supplier.</p> | |
| <p>AVERTISSEMENT : Quiconque ne respecte pas scrupuleusement les instructions de la présente notice risque de déclencher un incendie ou une explosion pouvant entraîner des dégâts matériels ou des blessures pouvant être mortelles. Tout défaut d'installation, de réglage, de modification, de service ou d'entretien peut entraîner des blessures ou des dommages matériels. Reportez-vous au manuel d'utilisation fourni avec cet équipement. Pour obtenir de l'aide ou des informations complémentaires, consulter un installateur ou un service d'entretien qualifié, ou le fournisseur de gaz.</p> | |
| <p>A) This appliance is equipped with an ignition device which automatically lights the pilot. Do not try to light the pilot by hand.</p> <p>B) BEFORE OPERATING smell all around the appliance area for gas. Be sure to smell next to the floor because some gas is heavier than air and will settle on the floor.</p> <p>WHAT TO DO IF YOU SMELL GAS</p> <ul style="list-style-type: none"> - Do not try to light any appliance. - Do not touch any electric switch, do not use any phone in your building. - Immediately call your gas supplier from a neighbours phone. Follow the gas supplier's instructions. - If you cannot reach your gas supplier, call the fire department. <p>C) Do not use this appliance if any part has been under water. Immediately call a qualified service technician to inspect the appliance and replace any part of the control system and any gas control which has been underwater.</p> <p>A) Cet appareil est muni d'un dispositif d'allumage qui allume automatiquement la veilleuse. Ne tentez pas d'allumer la veilleuse manuellement.</p> <p>B) AVANT LA MISE EN MARCHÉ, reniflez tout autour de l'appareil pour déceler une odeur de gaz. Reniflez au niveau du plancher, car certains gaz sont plus lourds que l'air et peuvent s'accumuler au niveau du sol.</p> <p>QUE FAIRE SI VOUS SENTEZ UNE ODEUR DE GAZ :</p> <ul style="list-style-type: none"> • Ne tentez pas d'allumer l'appareil • Ne touchez à aucun interrupteur; n'utilisez pas de téléphones se trouvant dans le bâtiment. • Appelez immédiatement votre fournisseur de gaz depuis un téléphone extérieur. Suivez les instructions du fournisseur. • Si vous ne pouvez pas rejoindre le fournisseur, appelez le service incendie. <p>C) N'utilisez pas cet appareil s'il a été plongé dans l'eau, même partiellement. Faites inspecter l'appareil par un technicien qualifié et remplacez tout élément du système de contrôle ou de commande qui a été plongé dans l'eau.</p> | |
| <p>CAUTION: Hot while in operation. Do not touch. Severe burns may result. Due to high surface temperatures keep children, clothing and furniture, gasoline and other liquids having flammable vapors away. Keep burner and control compartment clean. See installation and operating instructions accompanying appliance.</p> | |
| <p>ATTENTION : Surfaces chaudes lorsque l'appareil est en marche. Ne pas toucher. Risque de brûlures graves. En raison des températures élevées, les enfants, les vêtements et le mobilier, le carburant et tout autre liquide aux vapeurs inflammables doivent être tenus éloignés de l'appareil. Nettoyer régulièrement le brûleur et le compartiment des commandes. Voir les consignes d'installation et d'utilisation fournies avec l'appareil.</p> | |
| LIGHTING INSTRUCTIONS / CONSIGNES D'ALLUMAGE | |
| <p>1) Ensure the Main switch is in the ON position and/or the wall mounted battery holder (if equipped) is in the <REMOTE> position.</p> <p>2) Press and release the ON/OFF button on the remote handheld transmitter. An audible beep should be heard from the receiver. If not using the remote, the unit can also be turned on by sliding the battery holder switch to the <ON> position (if equipped).</p> <p>3) After approximately 4 seconds the spark ignition system will spark for 60 seconds to light the main burner.</p> <p>4) The unit will turn on.</p> <p>Note: The first attempt to ignition will last approximately 60 seconds. If there is no flame ignition (rectification) the board will stop sparking for approximately 35 seconds. After this wait time, the board will start a second try for ignition by sparking for approximately 60 seconds. If there is still no positive ignition after the second attempt the board will go into lock out.</p> <p>The system will need to be reset as follows (after going into lock out mode):</p> <ol style="list-style-type: none"> a) Wait 5 minutes - turn the system off by pressing the ON/OFF button on the remote. b) After approximately 2 seconds press the ON/OFF button again. c) Unit will repeat step 2. <p>1) S'assurer que le commutateur principal est en position ON et/ou que le bloc-piles mural (le cas échéant) est en position <REMOTE>.</p> <p>2) Appuyer sur la touche ON/OFF de la télécommande puis relâcher. Un bip sonore retentira depuis le récepteur. Si vous n'utilisez pas la télécommande, l'appareil peut également être allumé en faisant glisser le commutateur du bloc-piles sur la position <ON> (le cas échéant).</p> <p>3) Après environ 4 secondes, le système d'allumage produira une étincelle pendant 60 secondes pour allumer le brûleur principal.</p> <p>4) L'appareil s'allumera.</p> <p>Remarque : Au premier allumage, le système tente d'allumer les flammes pendant 60 secondes. Si l'essai est infructueux, le système fera une pause de 35 secondes. C'est ce qu'on appelle l'étape de rectification. Ce délai écoulé, le système tente à nouveau d'allumer les flammes en produisant des étincelles pendant 60 secondes. Si les flammes ne s'allument toujours pas, le système se met en mode verrouillage.</p> <p>Il faut alors le réinitialiser en suivant les étapes ci-dessous (pour le déverrouiller) :</p> <ol style="list-style-type: none"> a) Attendre 5 minutes et éteindre l'appareil en appuyant sur la touche ON/OFF de la télécommande. b) Attendre 2 secondes et appuyer encore une fois sur la touche ON/OFF. c) L'appareil répètera l'étape 2. | |
| TO TURN OFF GAS APPLIANCE / POUR ÉTEINDRE UN APPAREIL AU GAZ | |
| <p>1) Press the ON/OFF button on the remote.</p> <p>2) If service is to be performed—you must disconnect power and shut off gas to the unit.</p> <p>1) Appuyer sur la touche ON/OFF de la télécommande.</p> <p>2) Lors de l'entretien de l'appareil, vous devez débrancher l'alimentation électrique et couper le gaz alimentant l'appareil.</p> | |
| DO NOT REMOVE THIS INSTRUCTION PLATE | |
| NE PAS ENLEVER CETTE ÉTIQUETTE D'INSTRUCTIONS | |
| 920-273b | |

Proflame II Remote Control Operating instructions

IMPORTANT: The Proflame Transmitter 2 is an integrated part of the Proflame 2 System, which consists of these elements:

- Proflame 2 Transmitter, to be used in conjunction with:
- Integrated Fireplaces Control (Proflame 2 IFC)

The Proflame 2 Transmitter provides for controlling the following hearth appliance functions:

1. Main Burner On/Off
2. Main Burner flame modulation (6 levels)
3. Choice of standing or intermittent pilot (CPI/IPI)
4. Thermostat and Smart thermostat functions
5. Accent light modulation (6 levels)**
6. Split flow valve**
7. Comfort Fan speed modulation (6 levels)**

** This feature is not available on any Hampton models.

The Proflame Transmitter uses a streamline design with a simple button layout and informative LCD display (Fig. 1). A Mode Key is provided to index between the features and a Thermostat Key is used to turn on/off or index through Thermostat functions (Fig. 1 & 2). Additionally, a Key Lock feature is provided (Fig. 22).



Figure 1: Proflame Transmitter

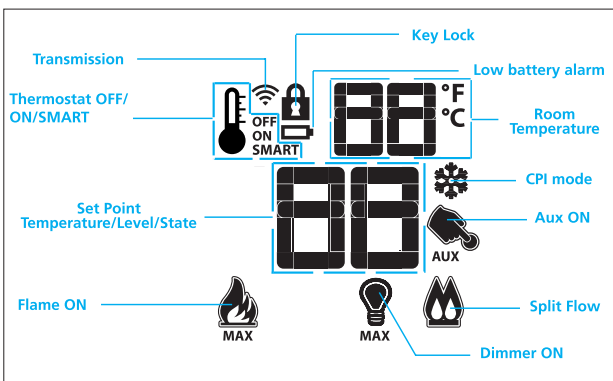


Figure 2: Transmitter LCD Display

| TECHNICAL DATA REMOTE CONTROL | |
|----------------------------------|---------------------------------|
| Supply Voltage | 4.5V (three 1.5V AAA batteries) |
| Ambient temperature ratings | 0 - 50°C (32 - 122°F) |
| Radio Frequency | 315 MHZ |

WARNING: THE TRANSMITTER AND IFC ARE RADIO FREQUENCY DEVICES.

ATTENTION!

- Turn "OFF" the main gas supply of the appliance during installation or maintenance of the IFC.

- Turn "OFF" main gas supply to the appliance prior to removing or reinserting the batteries.

- In case of remote control malfunction, turn off the IFC device using the "ON/OFF" main switch.

- For installation / maintenance, switch off the IFC device removing main power supply plug.

OPERATING PROCEDURE

Initializing the System for the First Time

Power the receiver. Press the PRG button located on the top right hand corner of receiver. The receiver will beep three times to indicate that it is ready to synchronize with a transmitter. Install the 3 AAA type batteries in the transmitter battery bay, located on the base of the transmitter (fig. 3). With the batteries already installed in the transmitter, push the ON button. The receiver's command is accepted and sets to the particular code of that transmitter. The system is now initialized.

(*) The receiver may be independent or integral jto the IFC hearth appliance control module. The receiver instruction may not be independent when part of the IFC.



Figure 3: Battery Compartment

owner's information

Temperature indication Display

With the system in the "OFF" position, press the Thermostat Key and the Mode Key at the same time. Look at the LCD screen on the transmitter to verify that a C or F is visible to the right of the room temperature display (Figures 4 & 5).

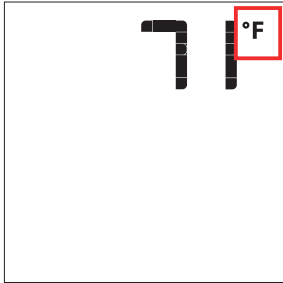


Figure 4: Remote Control display in Fahrenheit.

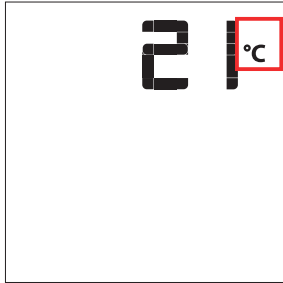


Figure 5: Remote Control display in Celsius.

Turn on the Appliance

With the system OFF, press the ON/OFF Key on the Transmitter. The Transmitter display will show some other active Icons on the screen. At the same time the IFC will activate the appliance. A single "beep" from the IFC will confirm reception of the command.

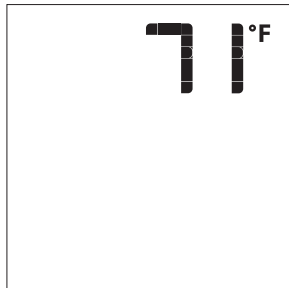


Figure 6: Remote Control display

Turn off the Appliance

With the system ON, press the ON/OFF Key on the Transmitter. The Transmitter LCD display will only show the room temperature (Fig. 6). At the same time the IFC will turn off the appliance. A single "beep" from the IFC confirms reception of the command.

Remote-Flame Control

The Proflame has six (6) flame levels. With the system on, and the flame level at the maximum in the appliance, pressing the Down Arrow Key once will reduce the flame height by one step until the flame is turned off. The Up Arrow Key will increase the flame height each time it is pressed. If the Up Arrow Key is pressed while the system is on but the flame is off, the flame will come on in the high position. (Fig. 7 & 8) A single "beep" will confirm reception of the command.

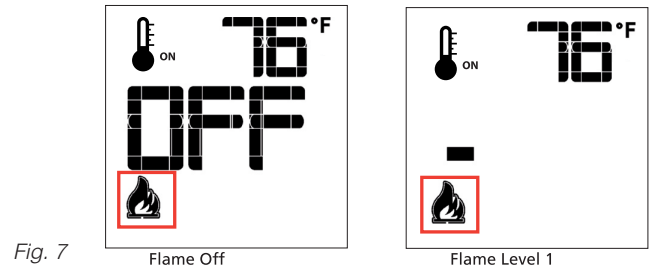


Fig. 7

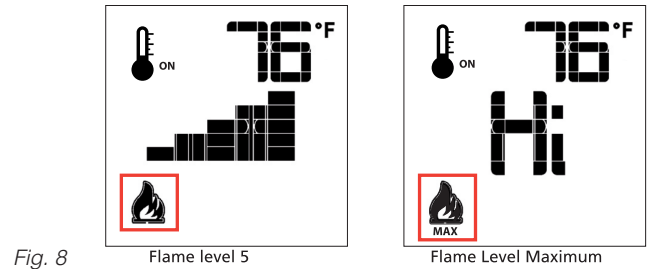


Fig. 8

Room Thermostat (Transmitter Operation)

The Remote Control can operate as a room thermostat. The thermostat can be set to a desired temperature to control the comfort level in a room. To activate this function, press the Thermostat Key (Fig. 1). The LCD display on the Transmitter will change to show that the room thermostat is "ON" and the set temperature is now displayed (Fig. 9). To adjust the set temperature, press the Up or Down Arrow Keys until the desired set temperature is displayed on the LCD screen of the Transmitter.

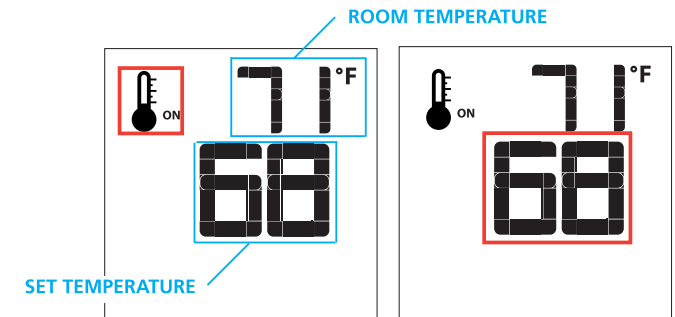


Figure 9

Figure 10

Smart Thermostat (Transmitter Operation)

The Smart Thermostat function adjusts the flame height in accordance to the difference between the set point temperature and the actual room temperatures. As the room temperature gets closer to the set point the Smart Function will modulate the flame down.

To activate this function, press the Thermostat Key (Fig. 1) until the word "SMART" appears to the right of the temperature bulb graphic (Fig. 11). To adjust the set temperature, press the Up or Down Arrow Keys until the desired set temperature is displayed on the LCD screen of the Transmitter (Fig. 12).

Note. When Smart Thermostat is activated, manual flame height adjustment is disabled.

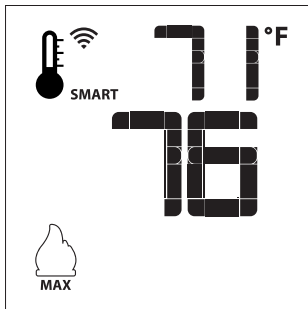


Figure 11: Smart Flame Function

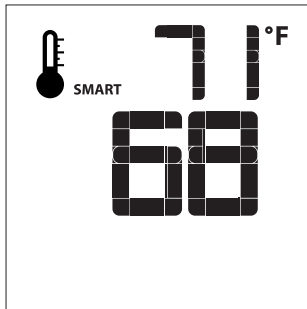


Figure 12

Fan Speed Control**

If the appliance is equipped with a hot air circulating fan, the speed of the fan can be controlled by the Proflame system. The fan speed can be adjusted through six (6) speeds. To activate this function use the Mode Key (fig.1) to index to the fan control icon (Fig. 13). Use the Up/Down Arrow Keys (fig.1) to turn on, off or adjust the fan speed (fig. 14). A single "beep" will confirm reception of the command.



Figure 13

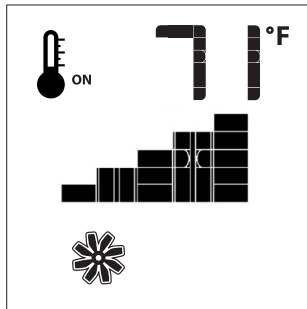


Figure 14

Remote Dimmer Control (Bottom Ember Lights)

The bottom ember lights are located near the dimmable light control. To activate this function use the Mode Key (fig. 1) to index to light bulb (fig. 15 & 16).

The intensity of the output can be adjusted through six (6) levels. Use the Up/Down Arrow Keys (Fig.1) adjust the output level (Fig. 16). A single "beep" will confirm reception of the command.

Note: This function is available only with the IFC Control Module.

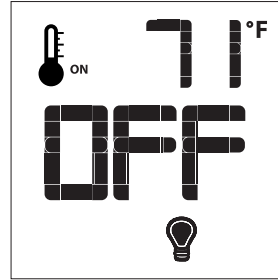


Figure 15

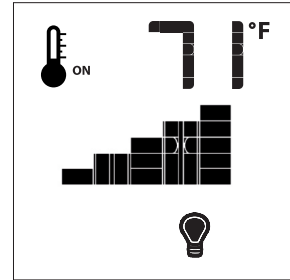


Figure 16

Remote top light control (top light)

The auxiliary function controls the top light. To activate this function use the Mode Key (fig. 1) to index to the AUX icon (fig. 17 & 18).

Pressing the Up Arrow Key will activate the outlet. Pressing the Down Arrow Key will turn the outlet off. A single "beep" will confirm the reception of the command.



Figure 17

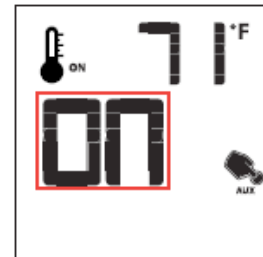


Figure 18

Split Flow control*

(*Not available on this model)

The secondary burner is controlled by the split Flow. To activate this function use the Mode Key (fig. 1) to index to the SPLIT FLOW mode icon (fig. 19 & 20).

Pressing the Up Arrow Key will activate the secondary burner. Pressing the Down Arrow Key will turn the secondary burner off. A single "beep" will confirm the reception of the command.

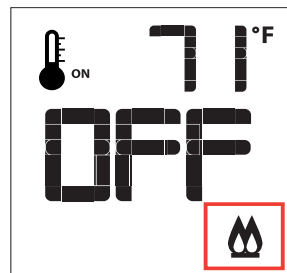


Figure 19

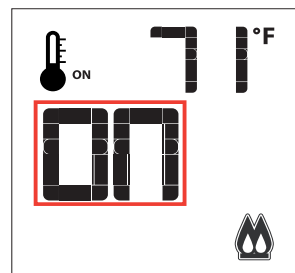


Figure 20

owner's information

Continuous Pilot/Intermittent Pilot (CPI/IPI) selection

Note: Power vent models do not have a Continuous Pilot option.

With the system in "OFF" position press the Mode Key (fig. 1) to index to the CPI mode icon (fig. 21 & 22).

Pressing the Up Arrow Key will activate the Continuous Pilot Ignition mode (CPI). Pressing the Down Arrow Key will return to IPI. A single "beep" will confirm the reception of the command.

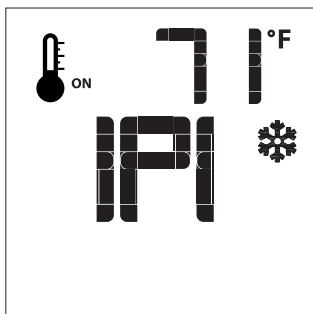


Figure 21

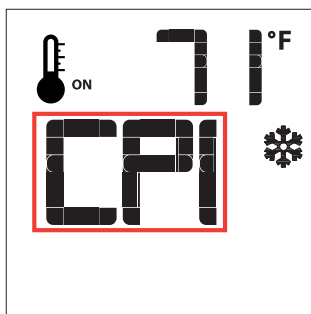


Figure 22

CPI/IPI Switch

This appliance comes equipped with a CPI/IPI switch. The functions of both the CPI/IPI switch are as follows:

Continuous pilot (CPI) - A pilot that when in operation, is intended to remain continuously ignited until it is manually interrupted.

Intermittent pilot (IPI) - A pilot that is automatically ignited when an appliance is called on to operate and which remains continuously ignited during each period of main burner operation. The pilot is automatically extinguished when each main burner operating cycle is completed. The mode of the fireplace is easily changed from an intermittent pilot ignition system (IPI) to a continuous pilot ignition system (CPI) by using remote control as noted above.

The benefits of having as CPI are as follows:

- Keeps venting primed for trouble free start-up under colder weather conditions or inversions.
 - Keeps the unit glass warm, which decreases the amount of condensation on start-up
 - Provides owners with flexibility to choose a traditional continuous pilot.
- The primary benefit of having the IPI function is a significant savings on fuel as the pilot will only run when there is a call for heat.

Thermostat Icon: If the thermostat icon is not present on the remote transmitter, follow instructions noted below:

1. Remove one battery from the remote.
2. Press and hold down the Thermostat button on the remote.
3. Reinstall the battery (removed in Step 1) while still holding down thermostat button.
4. If you see "Set" the thermostat option is now enabled. If you see "Clr" the thermostat option is now disabled.
5. Repeat the procedure if the "Set" or "Clr" to remove or add the option back to the remote did not appear.

Enable all other functions if not present on the remote transmitter, follow instructions noted below:

1. Remove one battery from remote.
2. Press and hold both the **ON/OFF** and **MODE** button at the same time .
3. Reinstall battery removed in Step 1 while holding both buttons—keep holding buttons, then release the **MODE** button only.

4. The screen will show either "Clr" or "Set" as the first option available is to disable or enable a mode.

5. "Clr" will remove a mode—use the up or down arrow while holding down **ON/OFF** and **MODE** (mode icon will disappear once removed).

6. Use the "MODE" button to move to the next function.

7. "Set" will add a mode —use the up or down arrow while holding down **ON/OFF** and **MODE** (mode icon will appear when added).

8. Use the "MODE" button to move to the next function.

Note: You should never program out the fan (if installed) or CPI/IPI mode on the remote.

Key Lock

This function will lock the keys to avoid unsupervised operation.

To activate this function, press the MODE and UP Keys at the same time (fig. 23).

To de-activate this function, press the MODE and UP Keys at the same time.

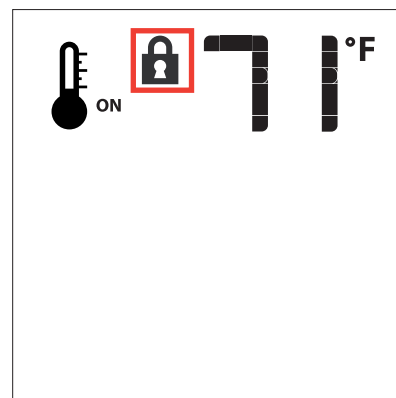


Figure 23

Low Battery Power Detection Transmitter

The life span of the remote control batteries depends on various factors: quality of the batteries used, the number of ignitions of the appliance, the number of changes to the room thermostat set point, etc.

When the Transmitter batteries are low, a Battery Icon will appear on the LCD display of the Transmitter (Fig. 24) before all battery power is lost. When the batteries are replaced this icon will disappear.

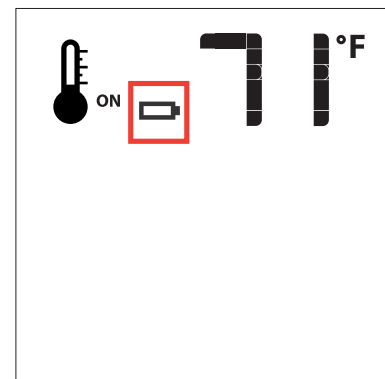
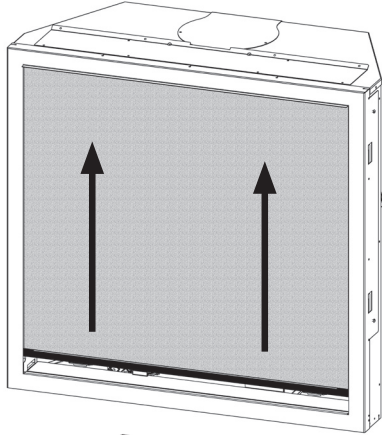


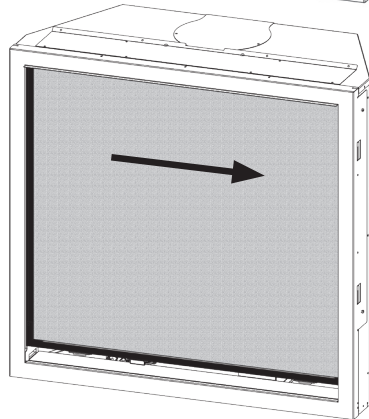
Figure 24

Safety Screen Removal

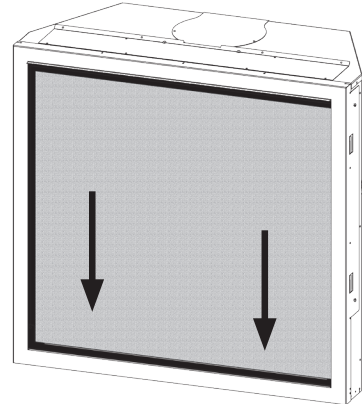
1. Slide screen up.



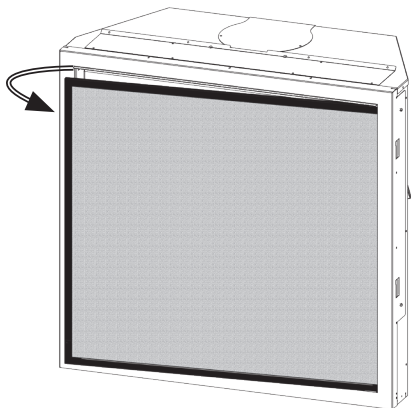
2. Slide screen right.



3. Lower screen down.



4. Swing screen outwards while keeping the screen level and remove.



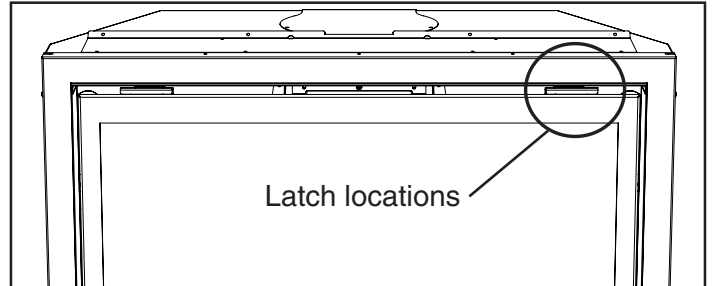
Safety Screen Installation

To install the safety screen—Reverse steps above.

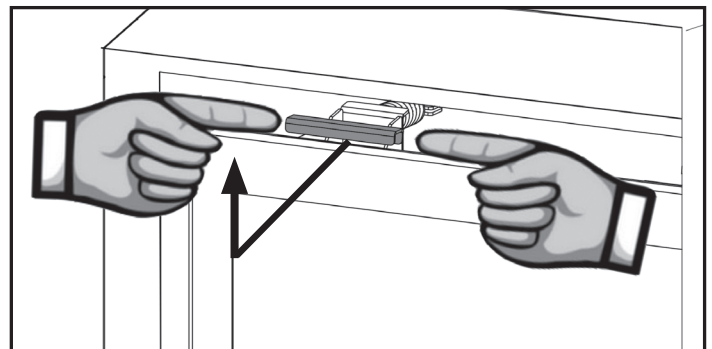
Glass Door Removal

1. To remove the glass door - place both hands on either side of the latch. Pull forward then up to unlock, repeat on opposite side.

Important: After releasing the latches, support the weight of the door.

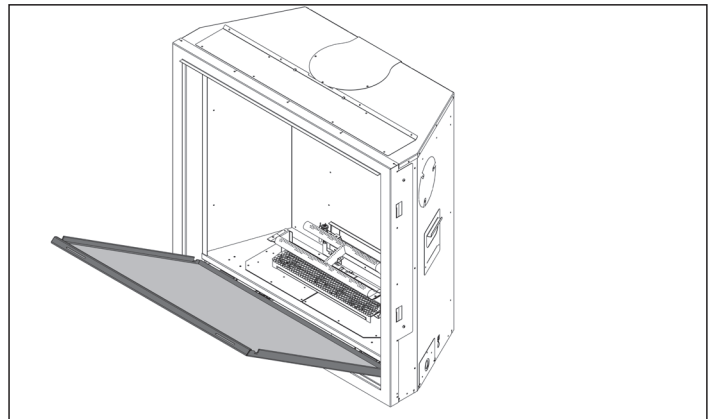


Latch locations



2. With both latches released, support the door with both hands and tilt out to approximately a 60 degree angle.

3. Lift the door up and out of lower slots to remove.



Glass Door Installation

To install the door—Reverse steps above.



installer's information

Important Message

SAVE THESE INSTRUCTIONS

The G600EC Direct Vent Fireplace must be installed in accordance with these instructions. Carefully read all the instructions in this manual first. Consult the "authority having jurisdiction" to determine the need for a permit prior to starting the installation. It is the responsibility of the installer to ensure this fireplace is installed in compliance with manufacturer's instructions and all applicable codes.

General Safety Information

1. The appliance installation must conform with local codes or, in the absence of local codes, with the current Canadian or National Gas Codes, CAN1-B149 or ANSI Z223.1 Installation Codes.
2. The appliance when installed, must be electrically grounded in accordance with local codes, or in the absence of local codes with the current National Electrical Code, ANSI/NFPA 70 or CSA C22.1 Canadian Electrical Code.
3. See general construction and assembly instructions. The appliance and vent should be enclosed.
4. This appliance must be connected to the specified vent and termination cap to the outside of the building envelope. Never vent to another room or inside a building. Make sure that the vent is fitted as per Venting instructions.
5. Inspect the venting system annually for blockage and any signs of deterioration.
6. Venting terminals shall not be recessed into a wall or siding.
7. Any safety glass removed for servicing must be replaced prior to operating the appliance.
8. To prevent injury, do not allow anyone who is unfamiliar with the operation to use the fireplace.
9. Wear gloves and safety glasses for protection while doing required maintenance.
10. Be aware of electrical wiring locations in walls and ceilings when cutting holes for termination.
11. Under no circumstances should this appliance be modified. Parts that have to be removed for servicing should be replaced prior to operating this appliance.
12. Installation and any repairs to this appliance should be done by a qualified service person. A professional service person should be called to inspect this appliance annually. Make it a practice to have all of your gas appliances checked annually.
13. Do not slam shut or strike the glass door.
14. Under no circumstances should any solid fuels (wood, paper, cardboard, coal, etc.) be used in this appliance.
15. The appliance area must be kept clear and free of combustible materials, (gases and other flammable vapours and liquids).

CAUTION: Label all wires prior to disconnection when servicing controls. Wiring errors can cause improper and dangerous operation. Verify proper operation after servicing.

installer's information

Installation Checklist

1. Locate appliance
 - a) Room location (Refer to "Locating Your Gas fireplace" section)
 - b) Clearances to Combustibles (Refer to "Clearances" section)
 - c) Mantle Clearances (Refer to "Combustible Mantel Clearances" section)
 - d) Framing & Finishing Requirements (Refer to "Framing & Finishing" section)
 - e) Venting Requirements (Refer to "Venting" section)
2. Assemble Top Standoffs and Top Facing Support and Side Nailing Strips (Refer to "Unit Assembly Prior to Installation" Section).
NOTE: Must be done before installing unit into place.

IMPORTANT: If installing the fan kit or changing this from top vent to rear vent, this must be completed prior to installing the appliance into the framed opening.

3. Install vent (Refer to "Venting" sections).
4. Make gas connections. Test the pilot. Must be as per Diagram (Refer to "Pilot Adjustment" section).

Convert to propane if desired (Refer to "Gas Line Installation" and "Conversion Kit from NG to LPG" sections).

5. Make electrical connections to receptacle supplied with unit (recommended).
6. Install standard and optional features. Refer to the following sections:
 - a. Standard Glass Door
 - b. Top to rear vent conversion
 - c. Coolwall conversion
 - d. Fan Installation (Optional)
 - e. Nailing flange installation
 - f. Electrical access/120 volt power installation by others
 - g. Wall Mount On/OFF Switch + Battery Holder Installation
 - h. Coolwall Clearances/Framing/Finishing
 - i. Clean Front Clearance/Framing/Finishing
 - j. Outside Finish Clearance/ Framing/Finishing
 - k. LP Conversion (optional)
 - l. Inner Panels or Brick Panels (Must install one of the options)
 - m. Log Set InstallationOR
 - n. Crystal Media Tray
 - o. HeatWave Kit

7. Final check.

This includes:

1. Clocking the appliance to ensure the correct firing rate (rate noted on label 21,000 Btu/h for natural gas and 20,500 Btu/h for propane), after burning appliance for 15 minutes.
2. If required, adjusting the primary air to ensure that the flame does not carbon. First allow the unit to burn for 15-20 min. to stabilize.

CAUTION: Any alteration to the product that causes sooting or carboning that results in damage is not the responsibility of the manufacturer.

Locating Your Gas Fireplace

1. When selecting a location for your fireplace, ensure that the clearances are met.
2. The appliance must be installed on a flat, solid, continuous surface For example a wood, metal or concrete floor or in a raised (on the wall) application. The appliance must be installed on a metal or wood panel extending the full width and depth of the appliance.
3. The G600EC Gas Fireplace can be installed in a recessed position or framed out into the room as in A, B, C and D. See Diagram 1.

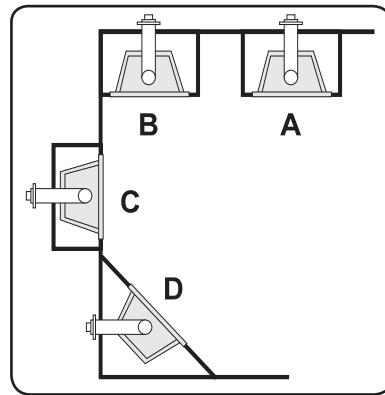


Diagram 1

- A) Flat on Wall
- B) Flat on Wall Corner
- C) Recessed into Wall/Alcove
- D) Corner

4. This appliance is Listed for bedroom installations using the standard Remote (millivolt thermostat system). Some areas may have further requirements, check local codes before installation.
5. The G600EC Gas Fireplace are approved for alcove installations, see "Clearances" section for details.
6. We recommend that you plan your installation on paper using exact measurements for clearances and floor protection before actually installing this appliance. Have an authorized inspector, dealer, or installer review your plans before installation.



Heatwave Duct System Optional kit

The **HeatWave** Air Duct Kit increases the effectiveness of your fireplace by dispersing warm air from the fireplace to remote locations in the same room or other rooms in your home.

Up to two kits may be installed on the fireplace.

The **HeatWave** Duct Kit has different clearance and framing requirements, check the **HeatWave** manual for details.

installer's information

Clearance/Framing and Venting Configurations

The G600EC is designed to allow for unique installation options—depending on the desired finish. Please review the options and follow the specific clearance, framing, and finishing options for that application.

The applications are as follows:

Cool Wall installation-Clean Front & Outside Finish: combustible materials can be installed right up to the fireplace opening with this option.

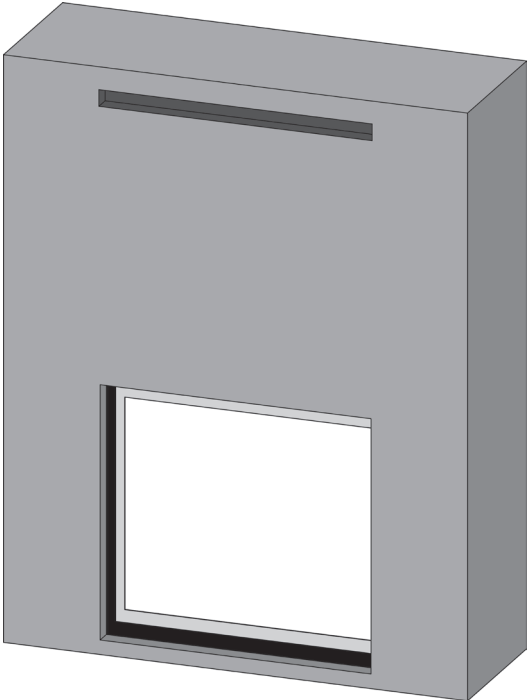
Non Combustible Installation-Clean Front & Outside Finish Applications: non-combustible required when installing materials right to the fireplace opening with this option.

Note: The topics listed below can be found in the pages that follow.

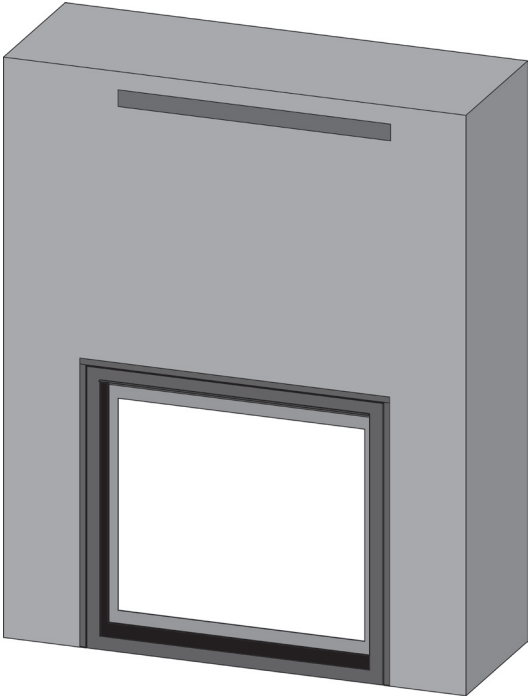
- Cool Wall Installation (Combustible Finishing)
- Non Combustible Installation
- Unit Assembly Prior to Installation
- Cool Wall Clearances
- Cool Wall Mantel Clearances
- Cool Wall Mantel Leg Clearances
- Cool Wall Installation - Framing
- Cool Wall Installation - Cool Wall Conversion
- Chase Venting
- Chase Vent Installation-Cool Wall
- Clean Front Installation (Non Cool Wall)—Clearances
- Clean Front Installation (Non Cool Wall)—Mantel Clearances
- Clean Front Installation (Non Cool Wall)—Mantel Leg Clearances
- Clean Front Installation (Non Cool Wall) — Non Combustible Requirements
- Clean Front Installation-Framing (Non Cool Wall)
- Clean Front Installation
- Outside Finish Installation (Non Cool Wall)—Clearances
- Outside Finish Installation (Non Cool Wall)—Mantel Clearances
- Outside Finish Installation (Non Cool Wall)—Mantel Leg Clearances
- Outside Finish Installation (Non Cool Wall)—Framing
- Outside Finish-Finishing
- Faceplate Installation
- Finishing Trim Install

Cool Wall Installation (Combustible Finishing)

- Cool Wall Install:
- Vented chase
 - Combustible material can be used all around the fireplace
 - Combustible framing



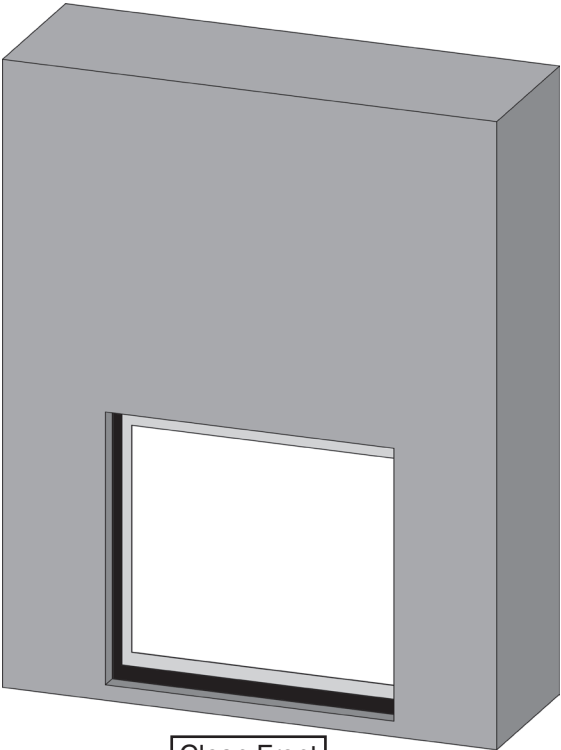
Clean Front



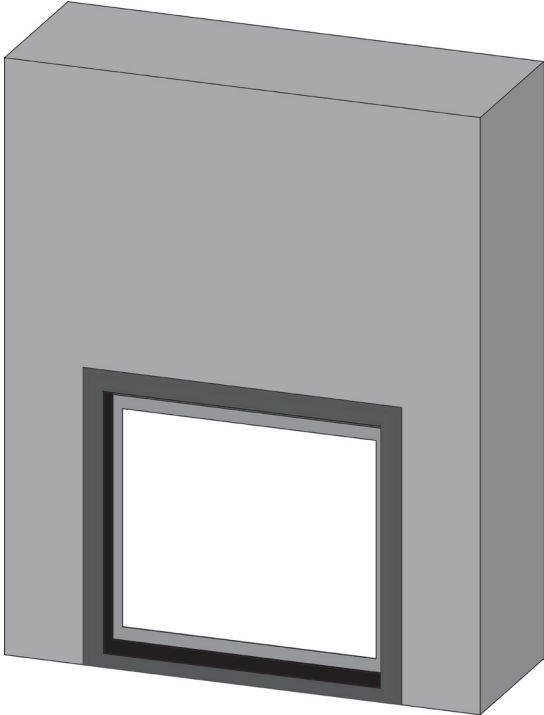
Outside Finish w/ Finishing Trim

Non Combustible Installation

- Install:
- Non-vented chase
 - Non-combustible board required
 - Combustible framing



Clean Front



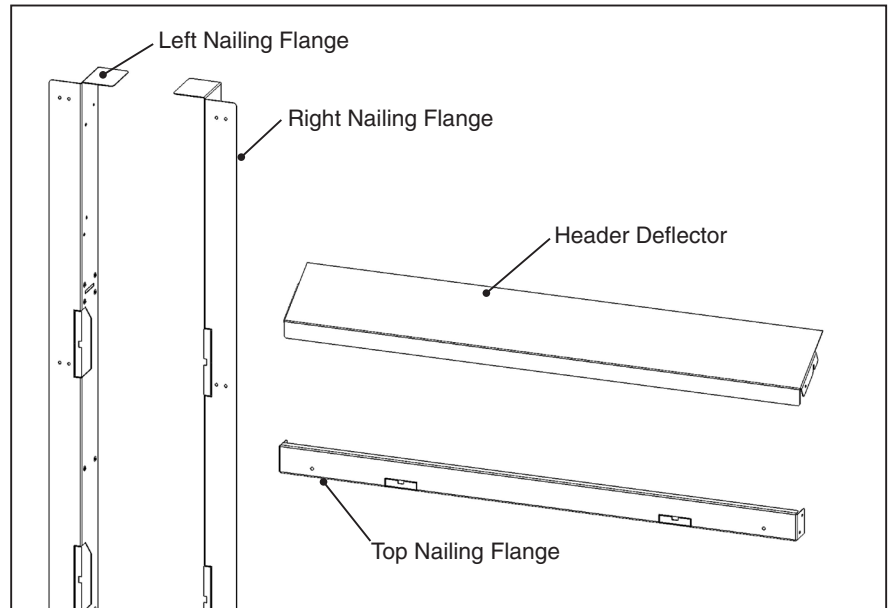
Outside Finish w/ Faceplate

installation

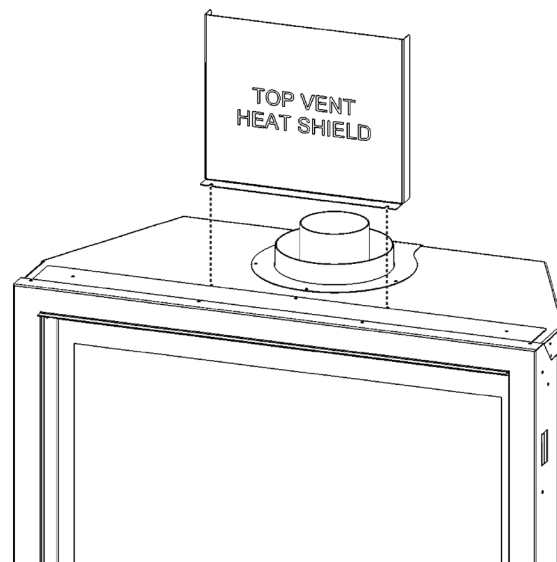
Unit Assembly Prior to Installation (Nailing Flange Installation)

After the framing has been built, the nailing Flanges will need to be set depending on the depth of finishing material being used. Up to 1 1/4" total material thickness can be used, including the backing material. The depth of finishing material can be adjusted in 1/4" increments.

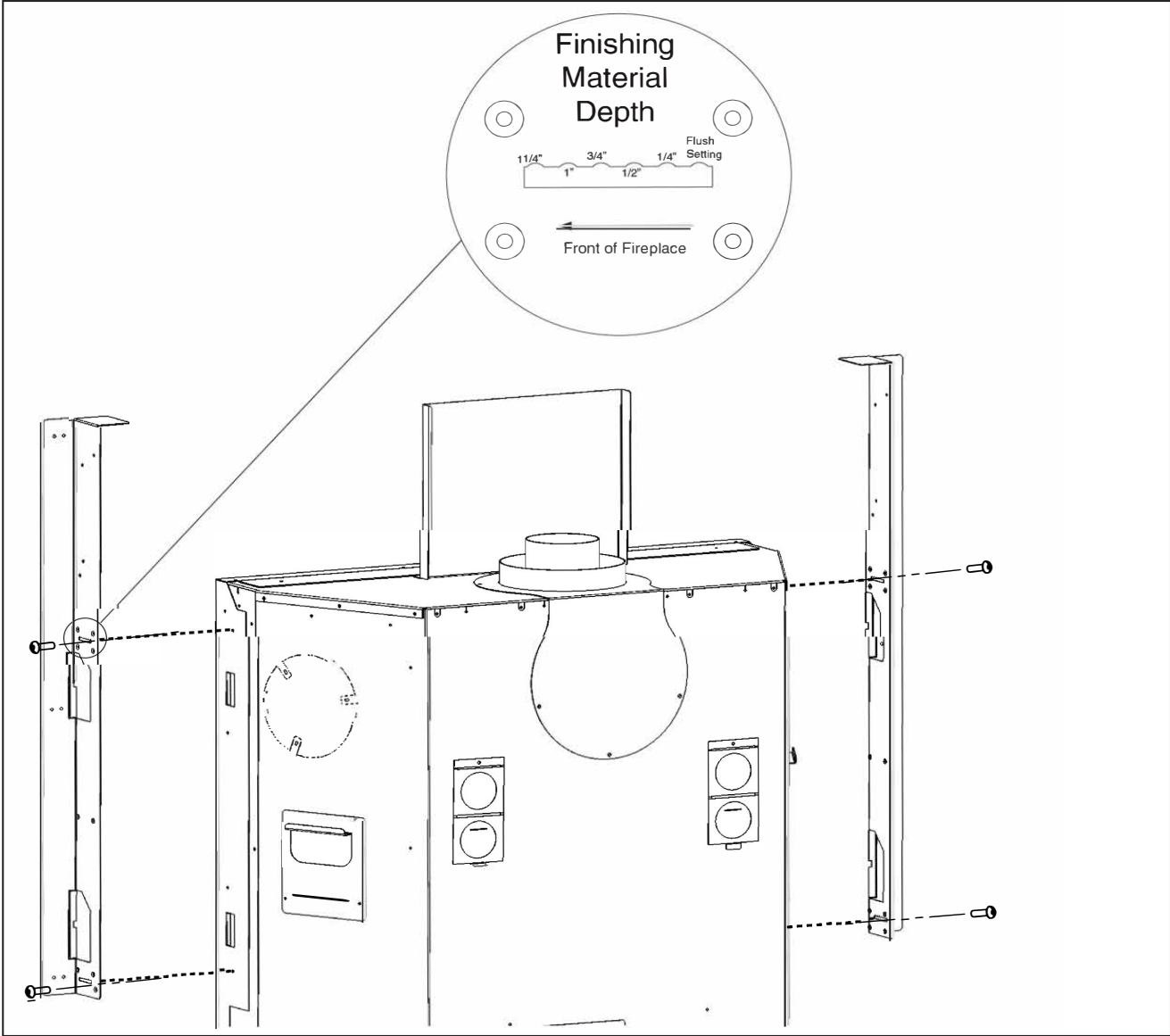
1. If venting the unit in a top vent configuration, first install the top vent heat shield with two screws, as shown.
2. Determine the required depth setting for the materials being used.
3. Once the setting has been chosen, install the Left and Right Nailing Flanges with 2 screws on each Flange.



Nailing Flange Parts

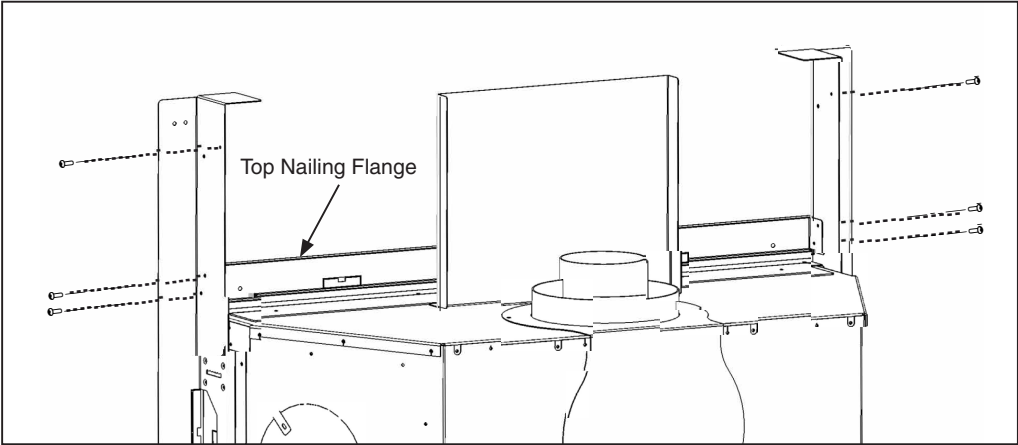


Nailing Flange Installation



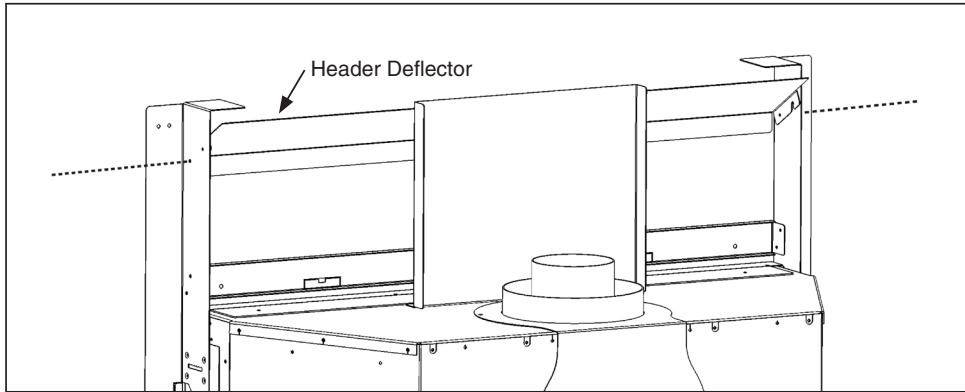
4. Screw one screw into the rear hole on each Side Nailing Flange.

5. Install the Top Nailing Flange with 4 screws.

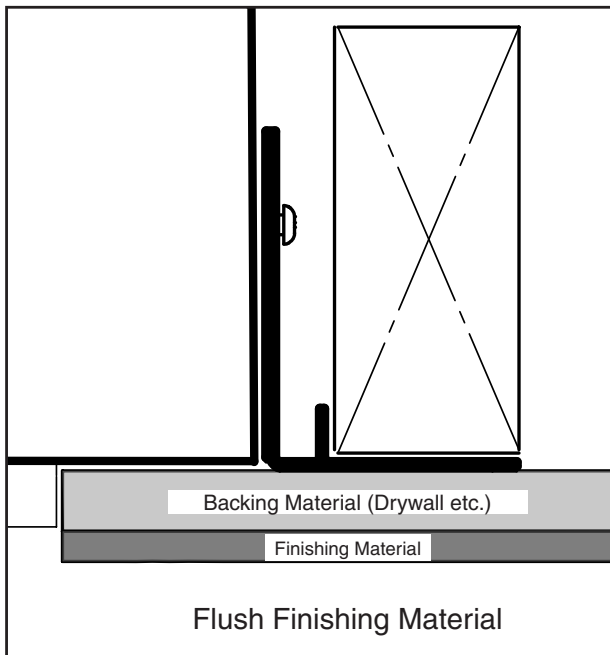


installation

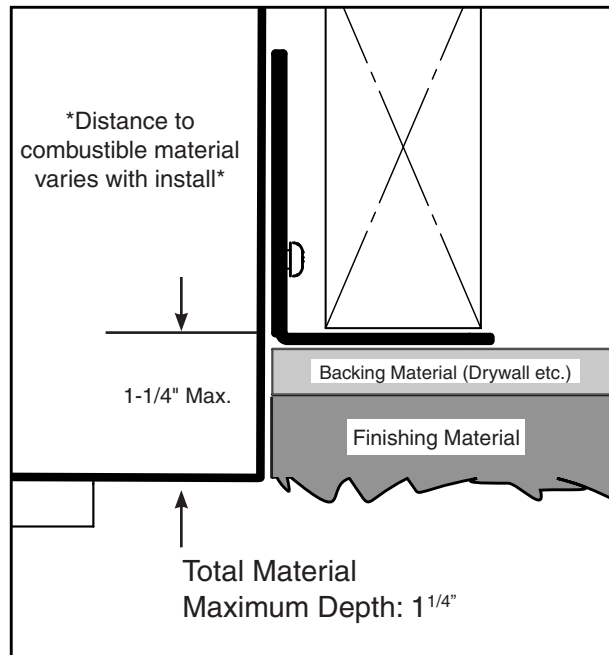
6. Slot the Header Deflector onto the back screws, then secure the with a screw through the remaining front hole on each flange.



CLEAN FRONT



OUTSIDE FINISH



Cool Wall Clearances

The clearances listed below are minimum distances unless otherwise stated:

A major cause of chimney related fires is failure to maintain required clearances (air space) to combustible materials. It is of the greatest importance that this fireplace and vent system be installed only in accordance with these instructions.

Caution Requirements

The top, back and sides of the fireplace are defined by standoffs. The metal ends of the standoff may **NOT** be recessed into combustible construction.

WARNING

Fire hazard is an extreme risk
If these clearances (air space) to combustible materials are not adhered to. It is of greatest importance that this fireplace and vent system be installed only in accordance with these instructions.

G600EC Clearance Requirements—Cool Wall Installations

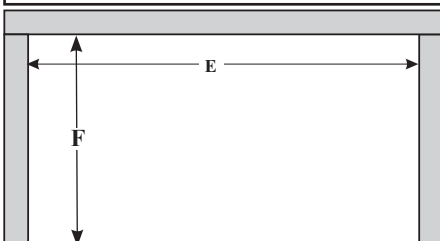
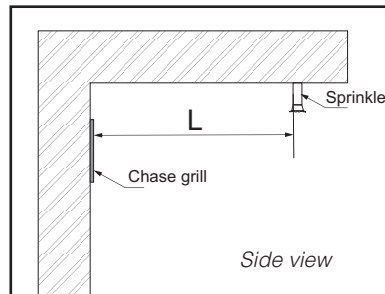
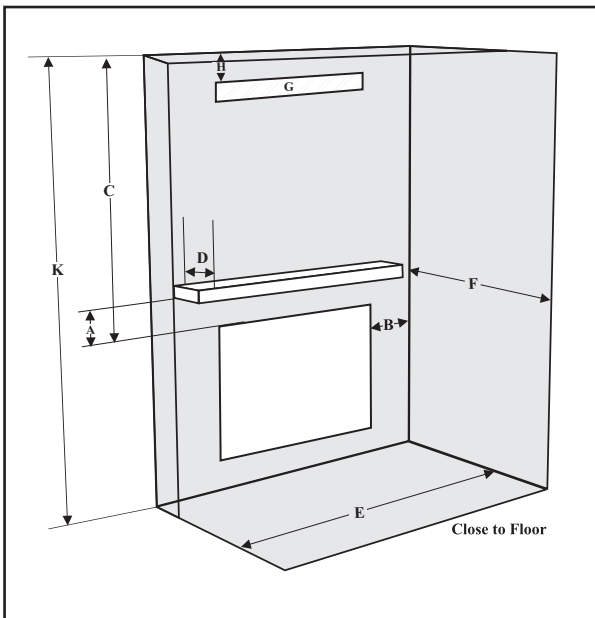
| Clearance: | Cool Wall - Clean Front | Measured From: |
|---|--|--------------------------------|
| A: Mantel Height (min.) | 1" (25 mm)** | Top of Fireplace Opening |
| B: Sidewall | 6" (152 mm) | Side of Fireplace Opening |
| C: Ceiling | 44-1/4" (1124 mm) | Top of Fireplace Opening |
| D: Mantel Depth (max.) | 12" (305 mm) | Front of Fireplace Opening |
| E: Alcove Width | 84" (2134 mm) | Wall to Wall (Minimum) |
| F: Alcove Depth | 36" (914 mm) | Front to Back Wall (Maximum) |
| G: Convection Air Outlet | 58 in ² (375 cm ²)* | Top/Front of Enclosure |
| H: Convection Air Outlet Opening Offset | 0-2" (0-51 mm) | *Top of Chase Enclosure |
| K: Chase Enclosure (Min.) | 74-1/2" (1892 mm) | From Base of Appliance Floor |
| L: Clearance to Sprinkler Head (Min.) | 36" (914 mm) | Perpendicular From Chase Grill |
| Notes: | 0" | No Hearth Required |

IMPORTANT - *A minimum of 58 square inches of open area, not lower than 0"-2" from top of enclosure, required for all cool wall installations — this can be achieved by having an open area in front. See manual for details.

** An extra 3/4" (19mm) of mantel height is required when using a faceplate.



The *HeatWave* Duct Kit has different clearance and framing requirements, check the *Heat-Wave* manual for details.



Alcove

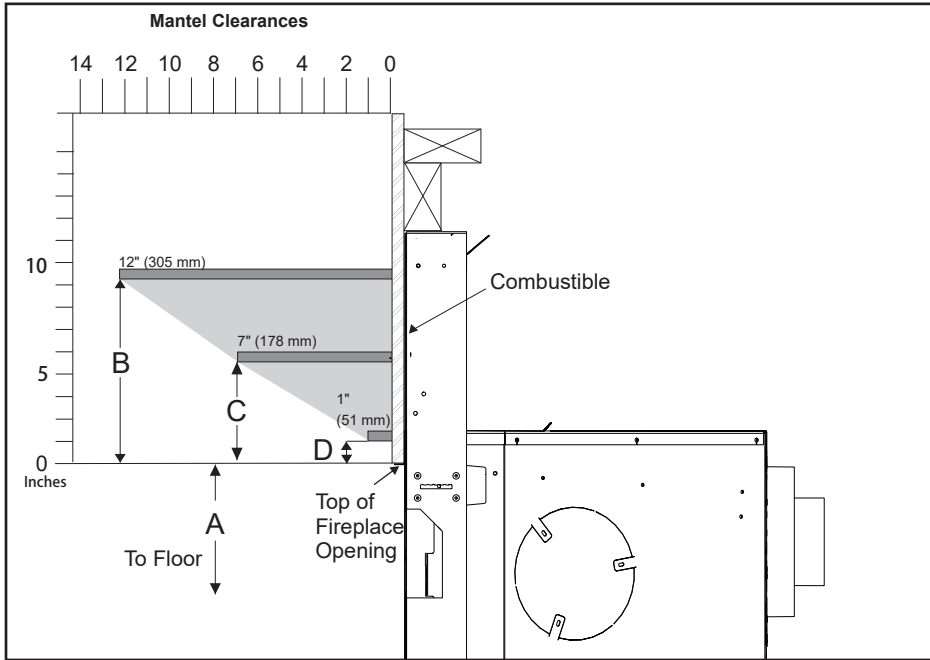
Minimum Vent Clearances to Combustibles

| | |
|-------------------|---------------|
| Horizontal Top | 2" (51mm) |
| Horizontal Side | 1-1/2" (38mm) |
| Horizontal Bottom | 1-1/2" (38mm) |
| Vertical Vent | 1-1/2" (38mm) |

installation

Cool Wall Mantel Clearances

Due to the extreme heat this fireplace emits, the mantel clearances are critical. Combustible mantel clearances from top of front facing are shown in the diagram below.

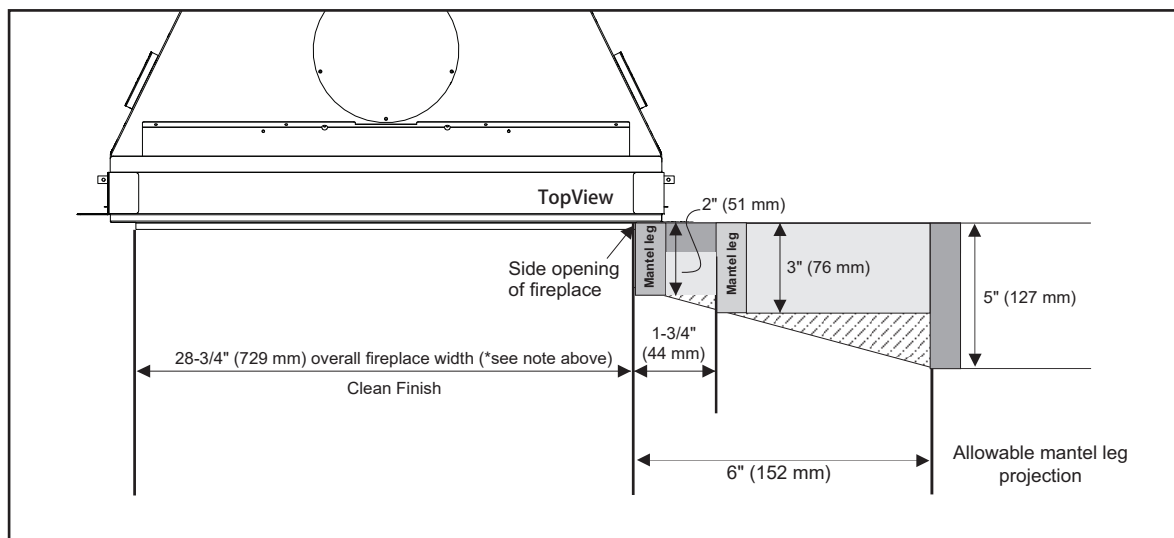


| Mantel Clearances G600EC | A | B | C | D |
|-------------------------------|------------------|-----------------|-----------------|------------|
| From Top of Fireplace Opening | 29 3/8" (746 mm) | 9-1/4" (235 mm) | 5-1/2" (140 mm) | 1" (25 mm) |

Note: Ensure the paint that is used on the mantel and the facing is high quality or the paint may discolour.

***Note:** When the clean-finish and optional faceplate are chosen, overall width changes from 28-3/4" (729 mm) to 33" (838 mm), and to 32" (813 mm) when the clean-finish and optional finishing trim are chosen.

Cool Wall Mantel Leg Clearances



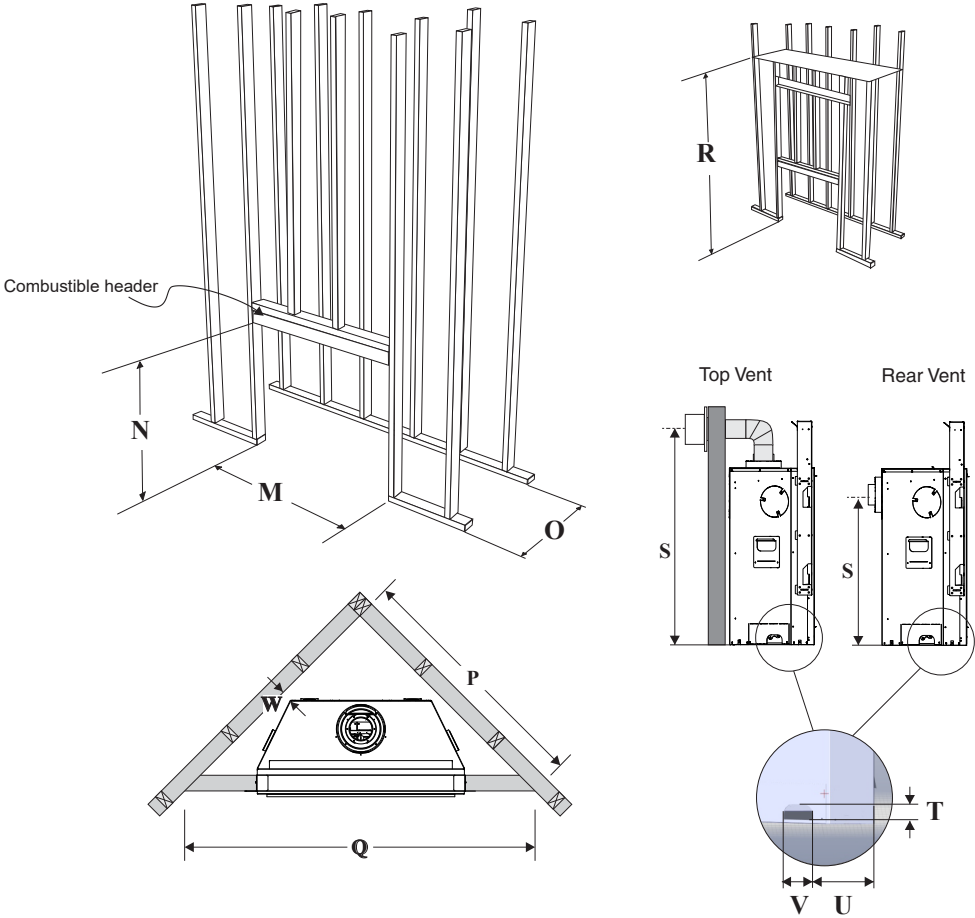
See framing dimensions on next page.

Cool Wall Installation—Framing

| Framing Dimensions | Description | Cool Wall |
|--------------------|--------------------------------|-------------------|
| M | Framing Width | 33-1/2" (851 mm) |
| N* | Framing Height | 40" (1016 mm) |
| O | Framing Depth | 15" (381 mm) |
| P | Corner Facing Wall Width | 37-1/4" (946 mm) |
| Q | Corner Facing Wall Width | 52-1/2" (1334 mm) |
| R | Framed Chase Ceiling Enclosure | 74-1/2" (1892 mm) |
| S (Rear Vent) | Vent Centerline Height - Rear | 25" (635 mm) |
| S (Top Vent) | Vent Centerline Height - Top | 39-1/2" (1003 mm) |
| T | Gas Connection Height | 1-7/8" (48 mm) |
| U | Gas Connection Inset | 8-3/8" (213 mm) |
| V | Gas Connection Width | 3-1/2" (89 mm) |
| W | Clearance to Corner of Unit | 1/2" (13 mm) |

*** Important: Framing height requires consideration of the hearth height. Dimension N = N + the thickness of the installed hearth.**

Note: The 2 standoffs at the rear of the appliance may be removed as these are not required in this application. Ensure that any screws that are removed are reinstalled. The 2 standoffs can be recycled/discarded.



installation

Cool Wall Installation-Cool Wall Conversion

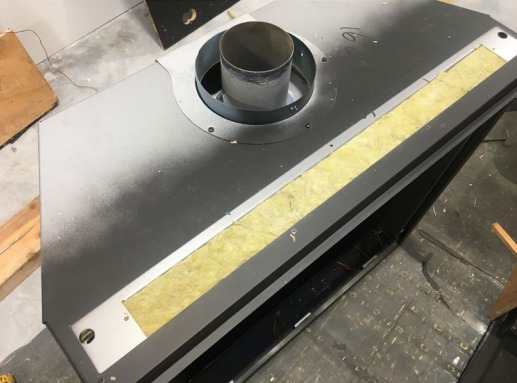
1. Remove safety screen from unit as per manual.
2. Remove the three screws from the top of the unit, holding the top cover in place.



3. Remove the top cover piece and secure it to the rear right side of the unit with one screw as shown.



4. Remove the strip of insulation.



5. Remove the three screws from the inner cover piece in the locations shown.



6. Remove the inner cover piece and secure it to the left rear side of the unit with one screw as shown.



7. Loosen the two outermost screws which are accessed through the holes in the locations show below. NOTE: Do not remove these two screws; loosen them.



8. Reach underneath the top of the unit and locate the lower sliding portion of the cool wall assembly. Push this piece toward the back of the unit as far as it will go to open the cool wall air channel.



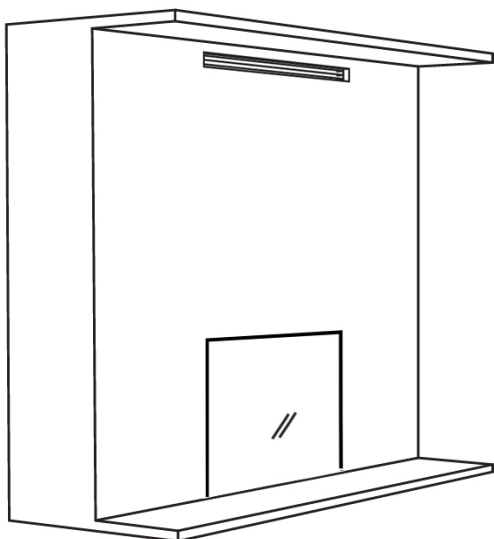
9. Tighten the two outer screws that were loosened to secure the sliding piece in place.

Chase Venting

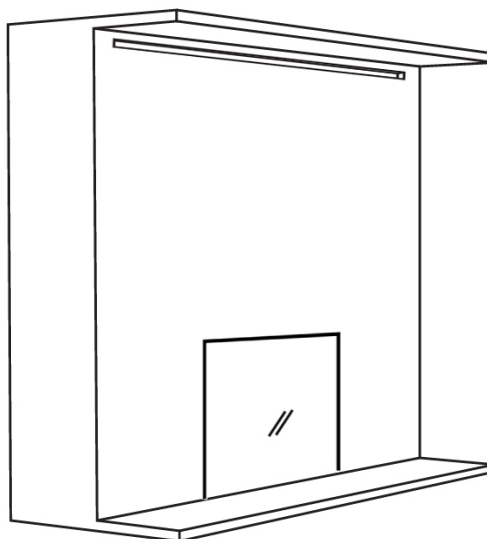
Note: The enclosure opening cannot be any lower than 0-2" (0-51mm) from the top of the enclosure for all installations. Minimum height of enclosure from base of appliance is 74-1/2" (1892mm).

A minimum 58 in² opening in the enclosure is required to maintain safe operating temperatures. This can be achieved in a number of ways including the examples shown below.

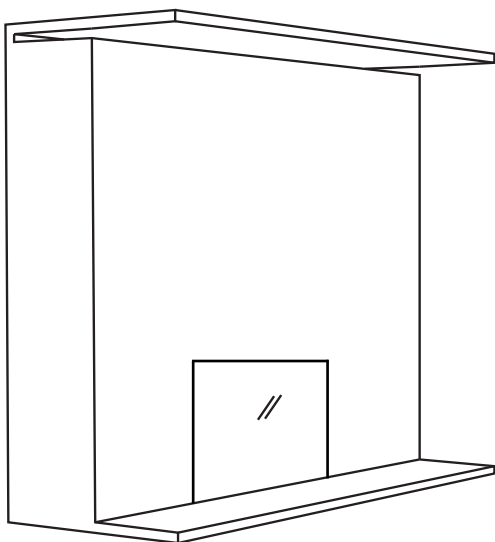
Warning: DO NOT cover or place objects in front of the air outlets.



Regency Chase Vent



Custom Chase Vent



Reveal at the Chase Top

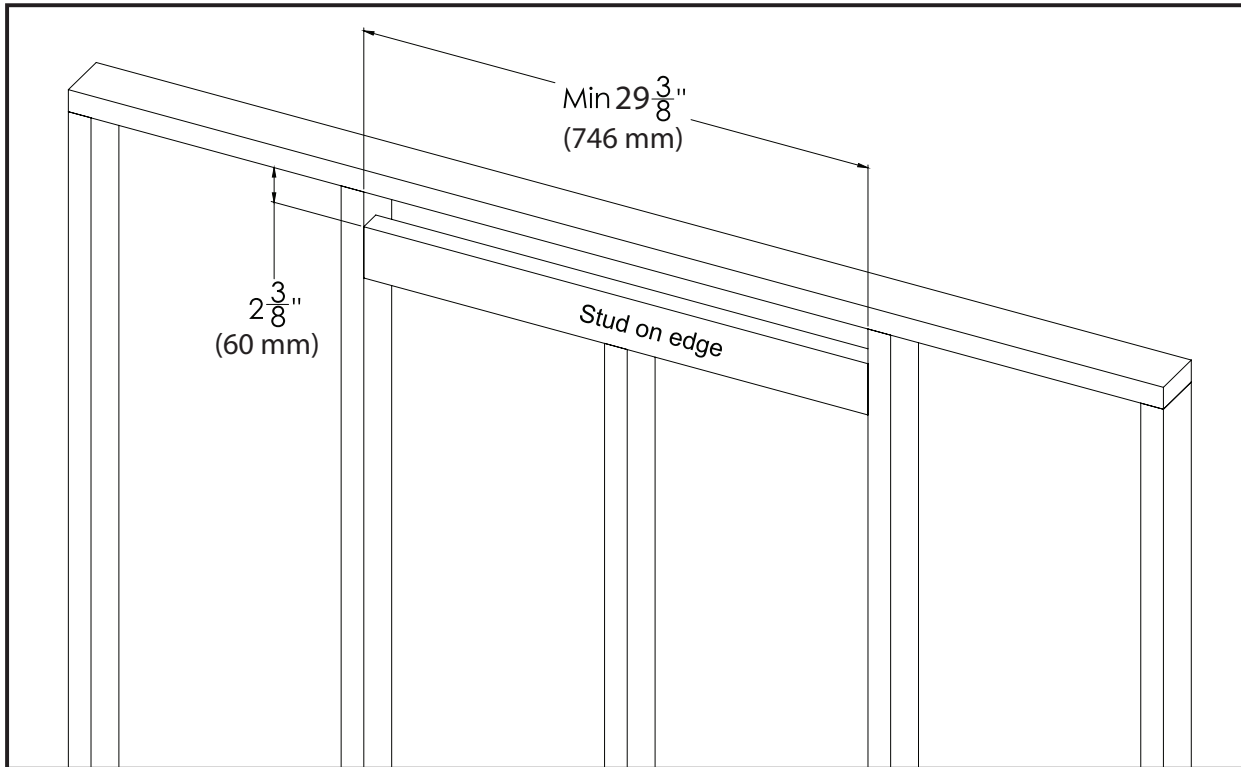
installation

Chase Vent Installation—Cool Wall

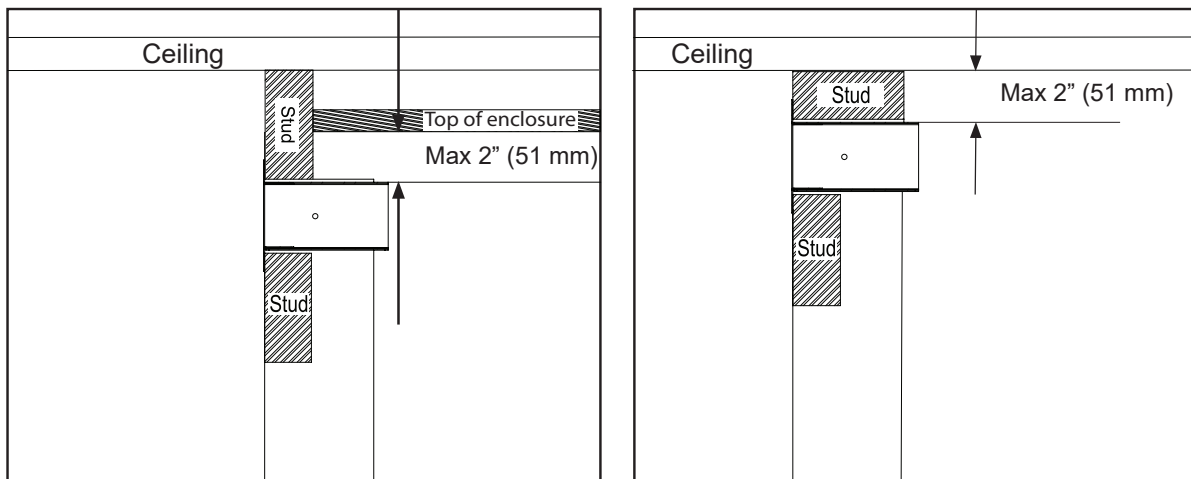
(Part #776-941)

Framed opening must be at least 2 3/8" (60 mm) tall, and at least 29 3/8" (746 mm) wide to accommodate the chase vent. The top of the chase vent opening must be 2" (51 mm) or less from the top of the chase enclosure. Fasten the chase vent with screws and construction adhesive.

If the chase vent is not being used, a minimum 58 in² (374 cm²) opening in the enclosure is required to maintain safe operating temperatures. This can be achieved in a number of ways including a reveal at the top of the chase.



Side View



Clean Front Installation (Non Cool Wall)—Clearances

The clearances listed below are minimum distances unless otherwise stated:

A major cause of chimney related fires is failure to maintain required clearances (air space) to combustible materials. It is of the greatest importance that this fireplace and vent system be installed only in accordance with these instructions.


Caution Requirements

The top, back and sides of the fireplace are defined by standoffs. The metal ends of the standoff may **NOT** be recessed into combustible construction.

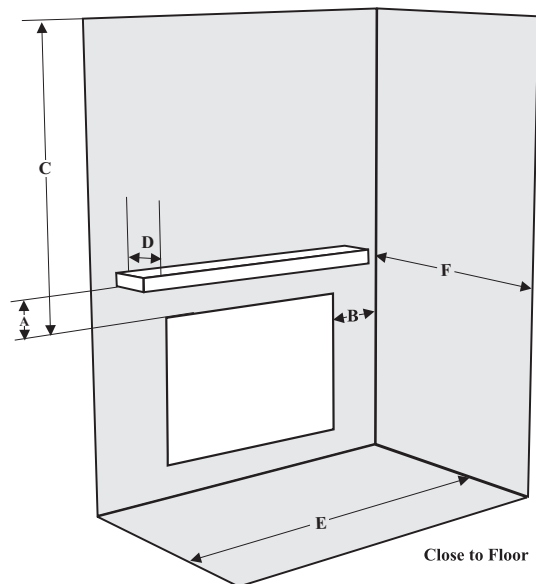
WARNING

Fire hazard is an extreme risk if these clearances (air space) to combustible materials are not adhered to. It is of greatest importance that this fireplace and vent system be installed only in accordance with these instructions.

| G600EC Clearance Requirements | | |
|-------------------------------|---------------|------------------------------|
| Clearance: | Dimension | Measured From: |
| A: Mantel Height (min.) | 14" (356 mm) | Top of Fireplace Opening |
| B: Sidewall | 25" (635 mm) | Side of Fireplace Opening |
| C: Ceiling | 36" (914 mm) | Top of Fireplace Opening |
| D: Mantel Depth (max.) | 17" (432 mm) | Front of Fireplace Opening |
| E: Alcove Width | 84" (2134 mm) | Wall to Wall (Minimum) |
| F: Alcove Depth | 36" (914 mm) | Front to Back Wall (Maximum) |
| Notes: | 0" | No Hearth Required |

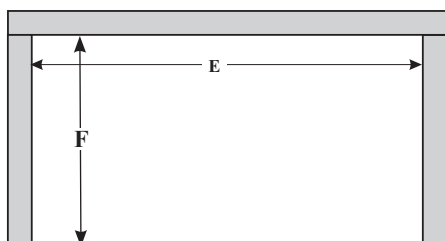


The *HeatWave* Duct Kit has different clearance and framing requirements, check the *HeatWave* manual for details.



Minimum Vent Clearances to Combustibles

| | |
|-------------------|---------------|
| Horizontal Top | 2" (51mm) |
| Horizontal Side | 1-1/2" (38mm) |
| Horizontal Bottom | 1-1/2" (38mm) |
| Vertical Vent | 1-1/2" (38mm) |



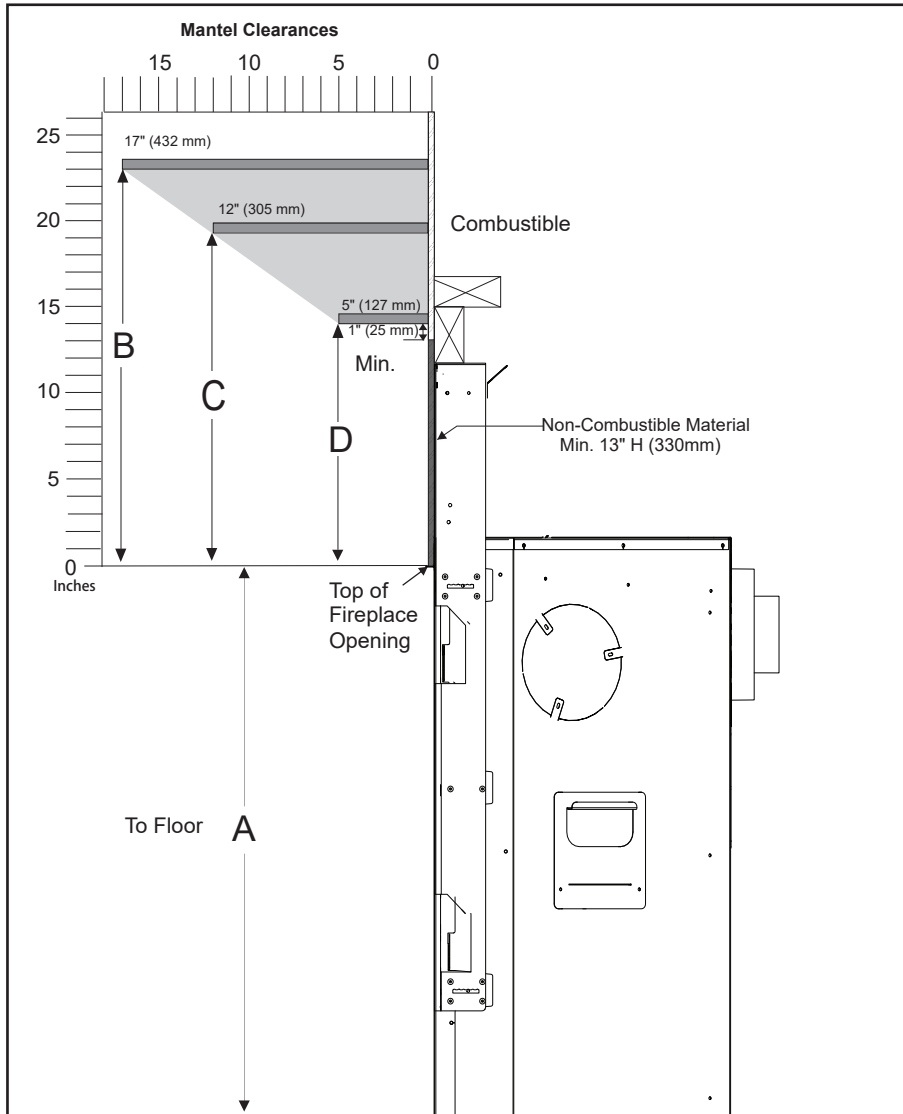
Alcove

installation

Clean Front Installation (Non Cool Wall)—Mantel Clearances

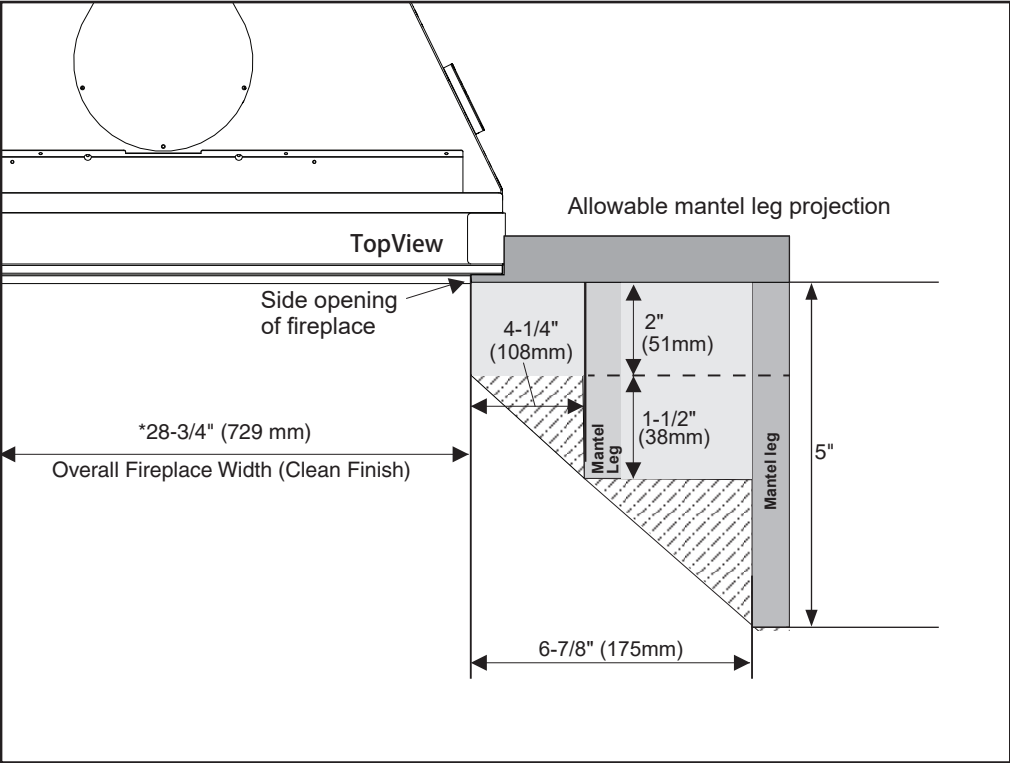
Due to the extreme heat this fireplace emits, the mantel clearances are critical. Combustible mantel clearances from top of front facing are shown in the Diagram on the right.

Note: Ensure the paint that is used on the mantel and the facing is "High Quality" or the paint may discolour.

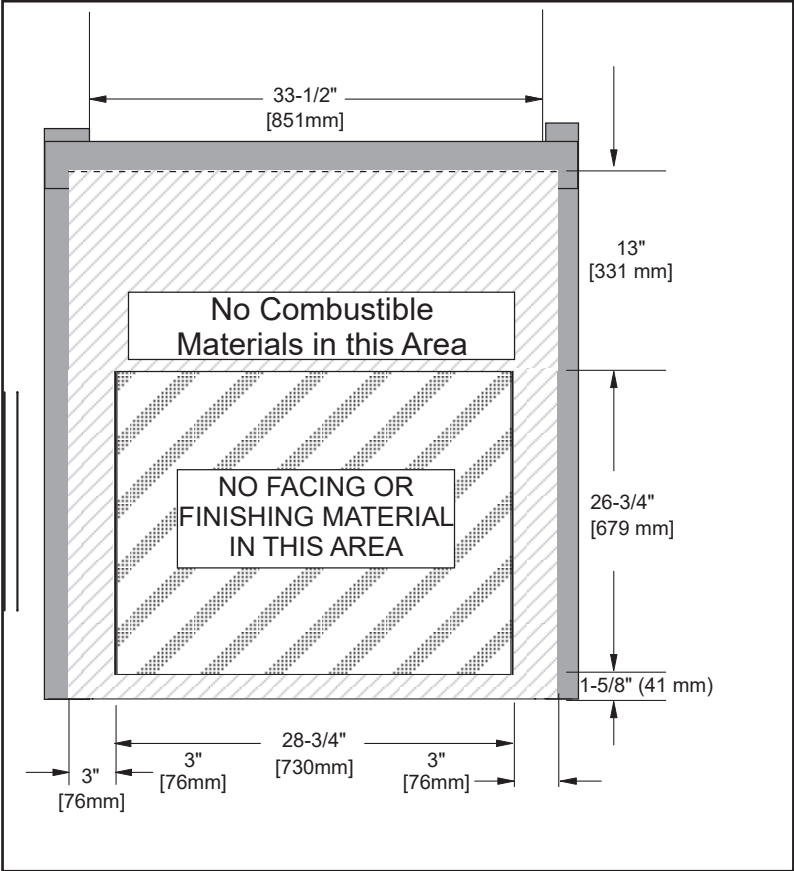


| Mantel Clearances G600EC | A | B | C | D |
|----------------------------------|--------------------|----------------|--------------------|----------------|
| From Top of Fireplace Opening | 28-3/8" (721mm) | 23" (584mm) | 19-1/4" (489mm) | 14" (356mm) |

Clean Front Installation (Non Cool Wall)—Mantel Leg Clearances



Clean Front Installation (Non Cool Wall)—Non Combustible Requirements



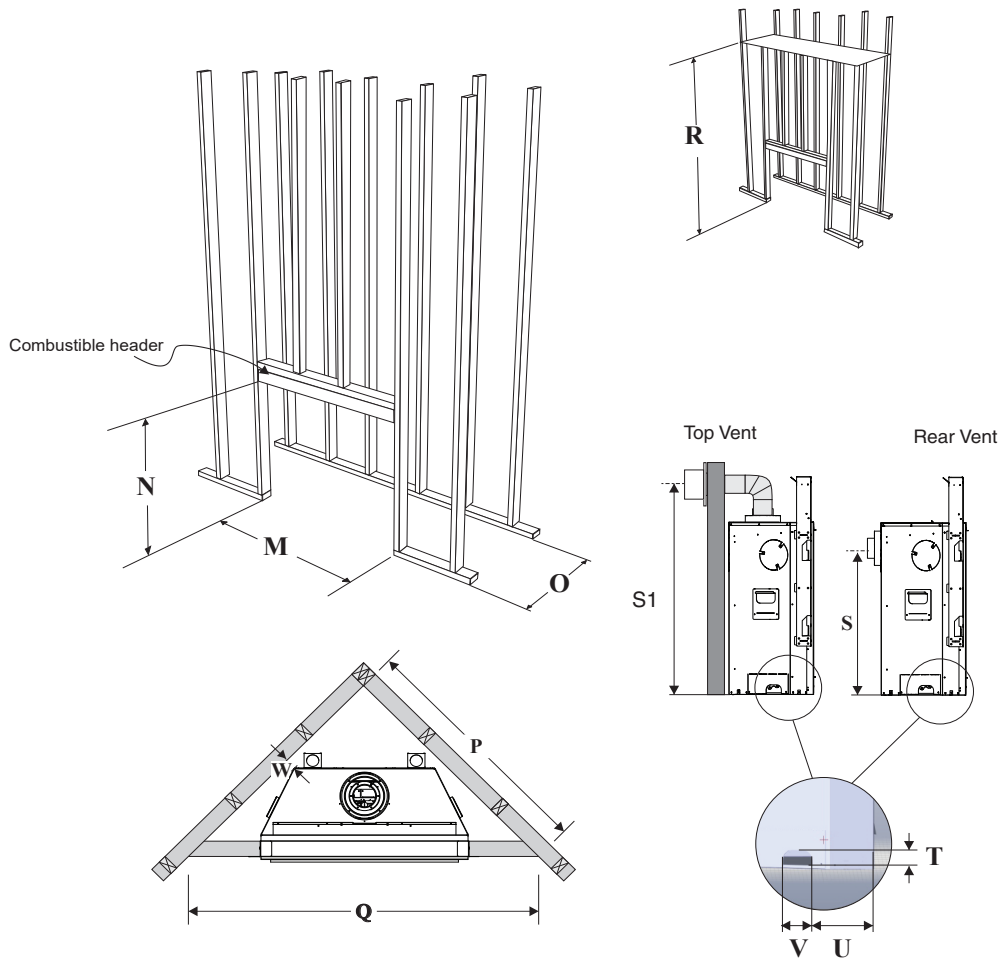
See framing dimensions on next page.

installation

Clean Front Installation—Framing (Non Cool Wall)

| Framing Dimensions | Description | G600EC - Non Cool Wall |
|--------------------|---------------------------------|------------------------|
| M | Framing Width | 33-1/2" (851 mm) |
| N* | Framing Height | 40" (1016 mm) |
| O | Framing Depth | 16-3/4" (452 mm) |
| P (Top Vent Only) | Corner Facing Wall Width | 40" (1016 mm) |
| Q (Top Vent Only) | Corner Facing Wall Width | 57" (1448 mm) |
| R (Top Vent) | Framed Chase Ceiling | 72" (1829 mm) |
| R (Rear Vent) | Framed Chase Ceiling | 43-1/2" (1105 mm) |
| S (Rear Vent) | Vent Centerline Height-Rear | 25" (635 mm) |
| S1 (Top Vent) | Vent Centerline Height - Top | 39-1/2" (1003 mm) |
| T | Gas Connection Height | 1-7/8" (48 mm) |
| U | Gas Connection Inset | 8-3/8" (213 mm) |
| V | Gas Connection Width | 3-1/2" (89 mm) |
| W | Clearance to corner of unit | 2 (51 mm) |
| | **Non-combustible Facing Height | 13" (330 mm) |

* Important: Framing height requires consideration of the hearth height. Dimension N = N + the thickness of the installed hearth.
 ** See previous page for details on non-combustible facing requirements above appliance.



Clean Front Installation

CLEAN FRONT TRIM INSTALL INSTRUCTIONS:

1. Install the nailing flanges, see manual for instructions.
2. Loosen the four (4) screws that secure the left and right nailing flanges to the unit.
3. Slide the left and right tiling flanges onto the front of the fireplace. Use the slots to center, with the screw securing the nailing flanges (Diagram 1).
4. Tighten screws.
5. Slide the bottom tiling flange against the bottom of the fireplace. Secure with a screw on each side.
6. Finishing material can now be pressed against the flat edge created by the clean front trim (Diagram 2).

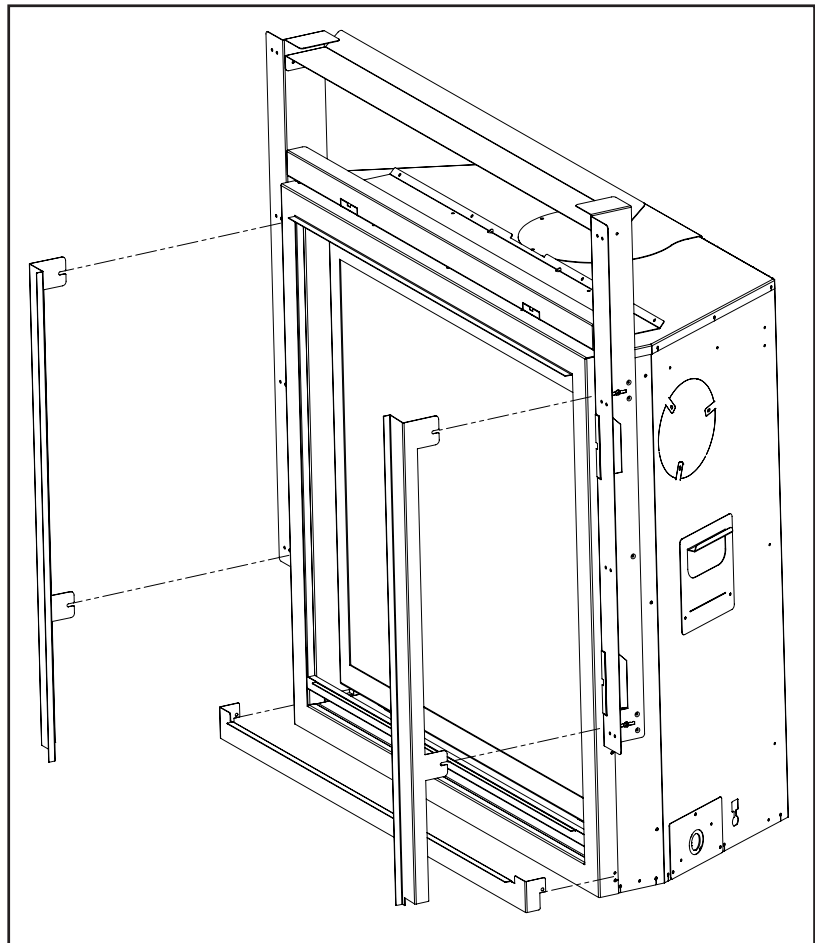


Diagram 1: Exploded View

NOTE: Do NOT finish beyond the dimensions in Diagram 2.

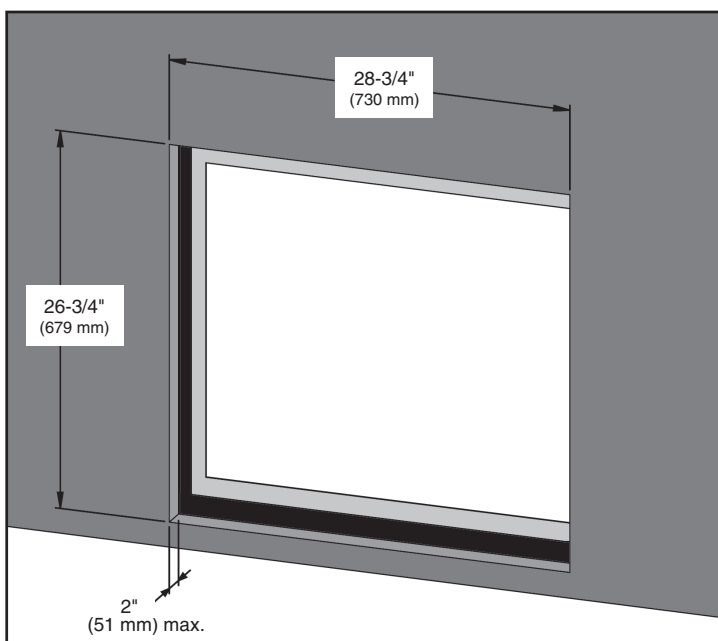


Diagram 2: Finishing Dimensions

installation

Outside Finish Installation (Non Cool Wall)—Clearances

The clearances listed below are minimum distances unless otherwise stated:

A major cause of chimney related fires is failure to maintain required clearances (air space) to combustible materials. It is of the greatest importance that this fireplace and vent system be installed only in accordance with these instructions.

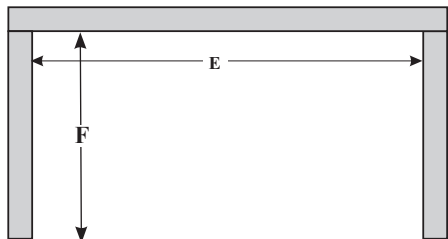
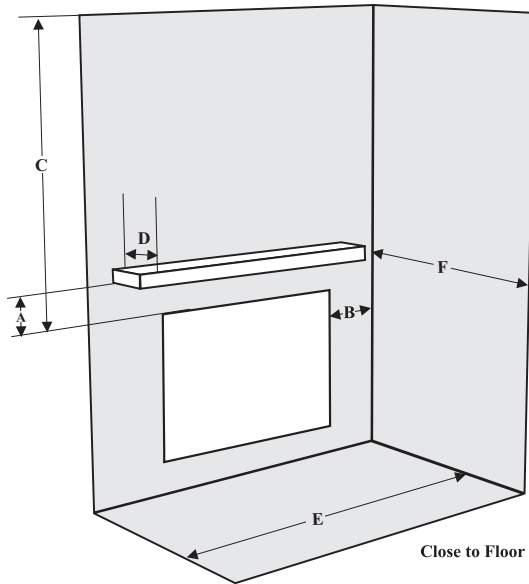
Caution Requirements

The top, back and sides of the fireplace are defined by standoffs. The metal ends of the standoff may **NOT** be recessed into combustible construction.

WARNING

Fire hazard is an extreme risk if these clearances (air space) to combustible materials are not adhered to. It is of greatest importance that this fireplace and vent system be installed only in accordance with these instructions.

| G600EC Outside Finish Clearance Requirements | | |
|--|--------------|------------------------------|
| Clearance: | Dimension | Measured From: |
| A: Mantel Height (min.) | 12" (305mm) | Top of Fireplace Opening |
| B: Sidewall | 25" (635mm) | Side of Fireplace Opening |
| C: Ceiling | 36" (914mm) | Top of Fireplace Opening |
| D: Mantel Depth (max.) | 17" (432mm) | Top of Fireplace Opening |
| E: Alcove Width | 84" (2134mm) | Wall to Wall (Minimum) |
| F: Alcove Depth | 36" (914mm) | Front to Back Wall (Maximum) |
| Notes: | 0" | No Hearth Required |



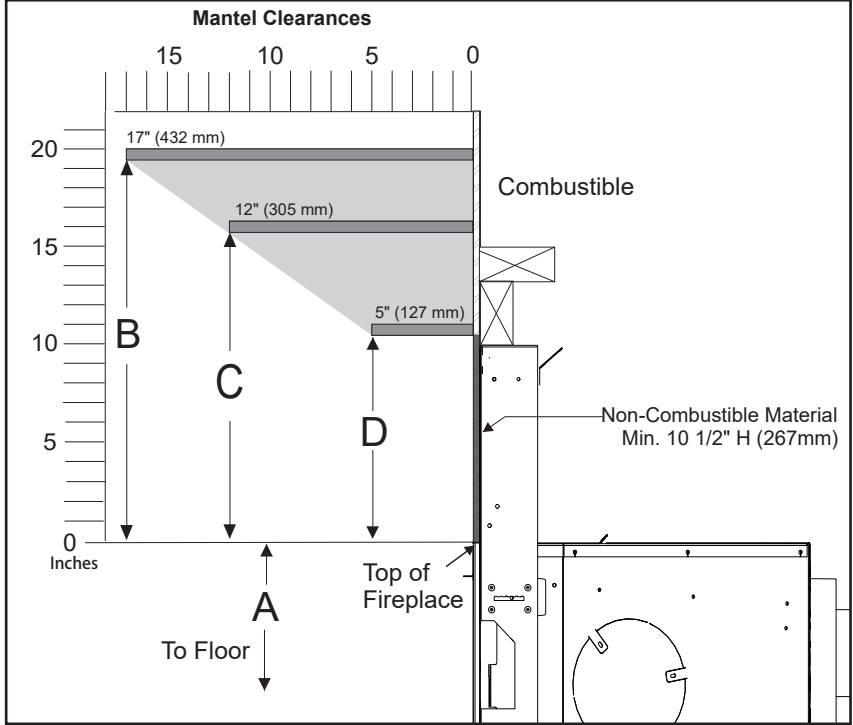
Alcove

Minimum Vent Clearances to Combustibles

| | |
|-------------------|---------------|
| Horizontal Top | 2" (51mm) |
| Horizontal Side | 1-1/2" (38mm) |
| Horizontal Bottom | 1-1/2" (38mm) |
| Vertical Vent | 1-1/2" (38mm) |

Outside Finish Installation (Non Cool Wall)—Mantel Clearances

Due to the extreme heat this fireplace emits, the mantel clearances are critical. Combustible mantel clearances from top of front facing are shown in the Diagram below.

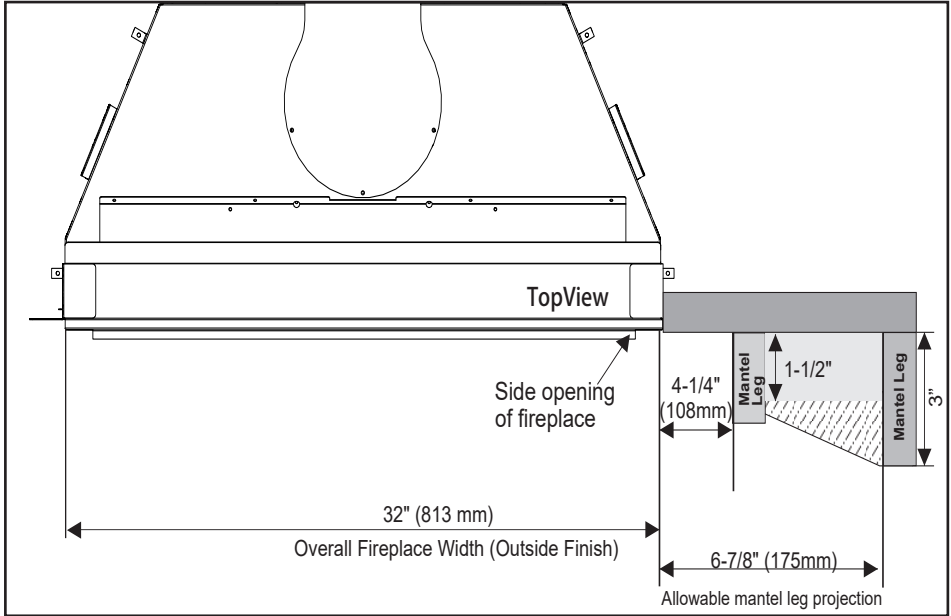


| Mantel Clearances G600EC | A | B | C | D |
|--------------------------|-------------|-----------------|-----------------|-----------------|
| From Top of Fireplace | 30" (762mm) | 19-1/2" (495mm) | 15-3/4" (400mm) | 10-1/2" (267mm) |

Note: Ensure the paint that is used on the mantel and the facing is high quality or the paint may discolour.

**The non combustible board supplied with the appliance is 13" (330 mm) high. This may be cut to size if desired.

Outside Finish Installation (Non Cool Wall)—Mantel Leg Clearances

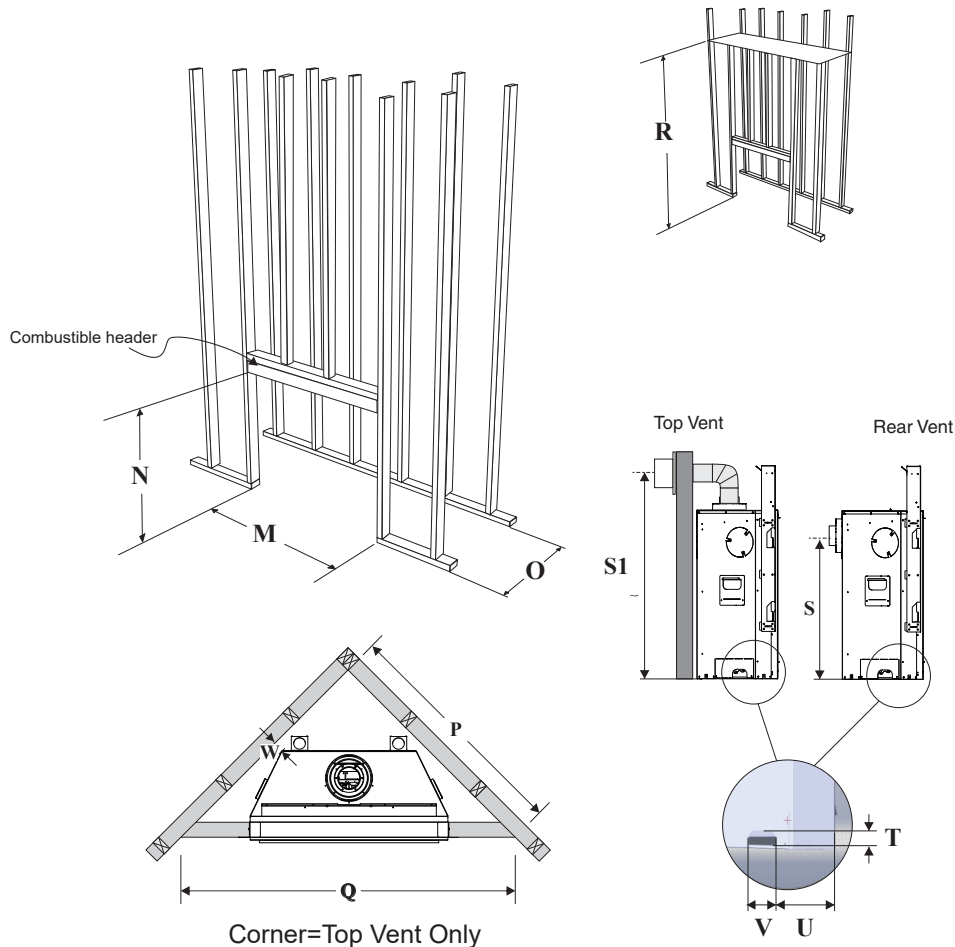


installation

Outside Finish Installation (Non Cool Wall)—Framing

| Framing Dimensions | Description | Outside Finish |
|--------------------|-------------------------------|-------------------|
| M | Framing Width | 33-1/2" (851 mm) |
| N* | Framing Height | 40" (1016 mm) |
| O | Framing Depth | 16-3/4" (425 mm) |
| P (Top Vent Only) | Corner Facing Wall Width | 40" (1016 mm) |
| Q (Top Vent Only) | Corner Facing Wall Width | 57" (1448 mm) |
| R (Top Vent) | Framed Chase Ceiling | 72" (1829 mm) |
| R (Rear Vent) | Framed Chase Ceiling | 43-1/2" (1105 mm) |
| S (Rear Vent) | Vent Centerline Height - Rear | 25" (635 mm) |
| S1 (Top Vent) | Vent Centerline Height - Top | 39-1/2" (1003 mm) |
| T | Gas Connection Height | 1-7/8" (48 mm) |
| U | Gas Connection Inset | 8-3/8" (213 mm) |
| V | Gas Connection Width | 3-1/2" (89 mm) |
| W | Clearance to Corner of Unit | 2" (51 mm) |
| | Non-combustible Height | 10-1/2" (267 mm) |

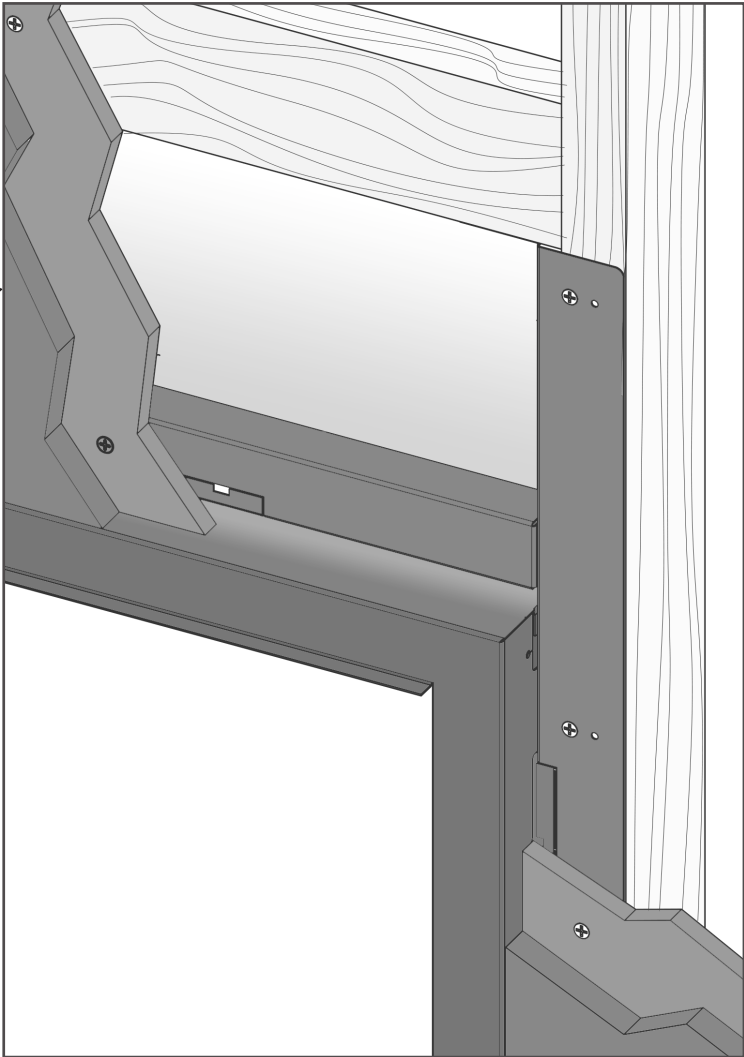
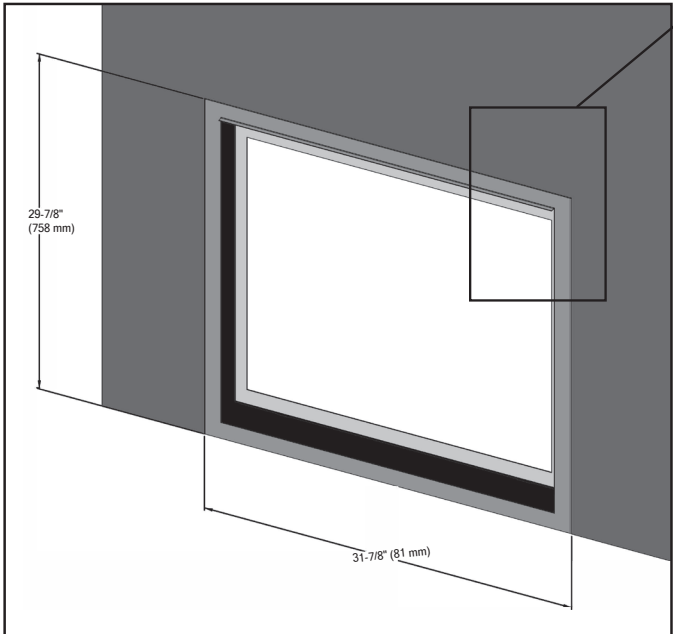
* Important: Framing height requires consideration of the hearth height. Dimension N = N + the thickness of the installed hearth.



IMPORTANT: Corner applications are vented from the top only - rear venting cannot be used.

Outside Finish Finishing

Finishing material may be brought to the top and side edges of the fireplace, as show below.

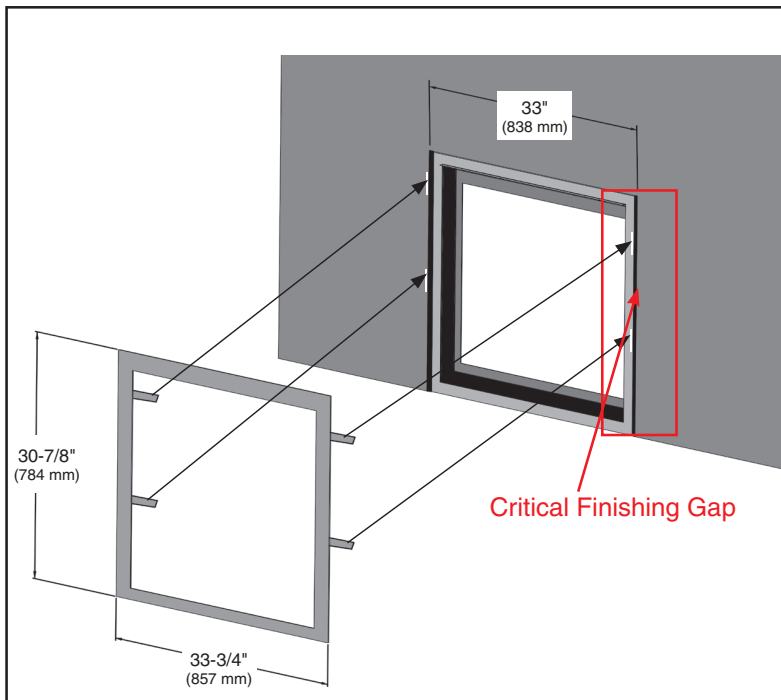
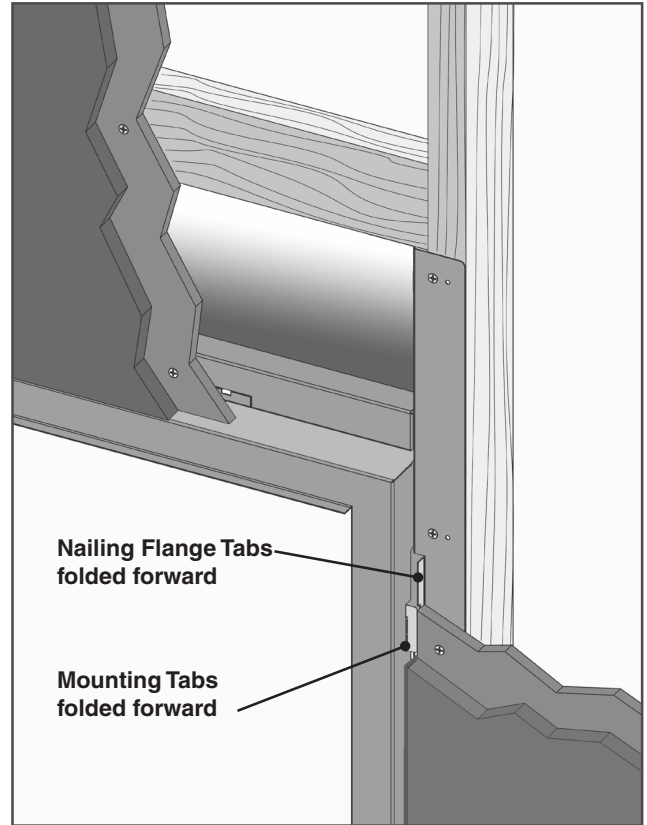
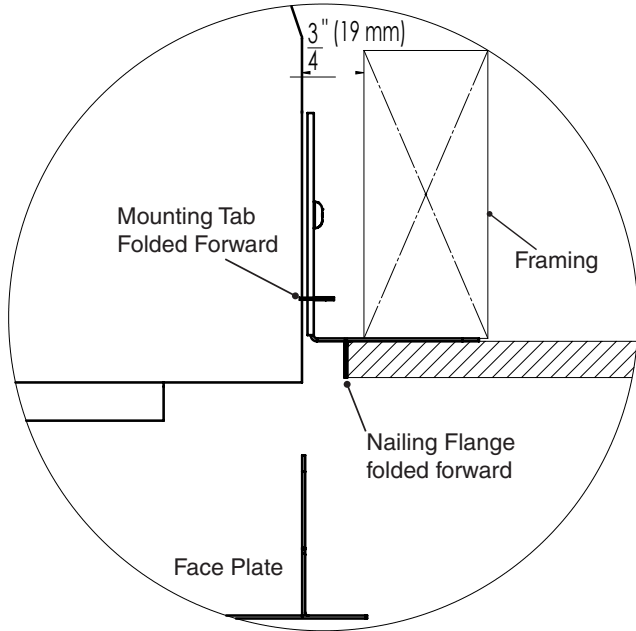


installation

Faceplate Installation (Part # 776-922, 776-924, 776-926)

A 1/2" (13 mm) gap must be maintained on the sides of the fireplace to allow the Face Plate to be installed and removed.

Do NOT finish past the front face of the fireplace.



Install the faceplate by resting the arms on the Face Plate on top of the mounting tabs.

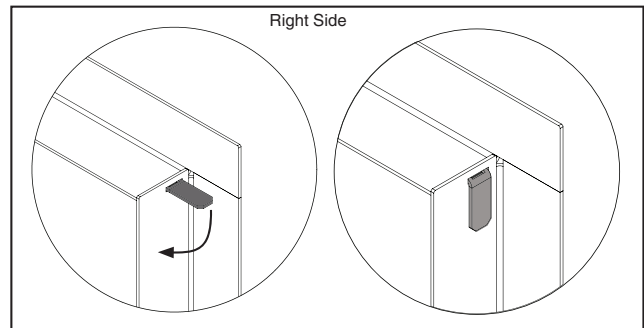
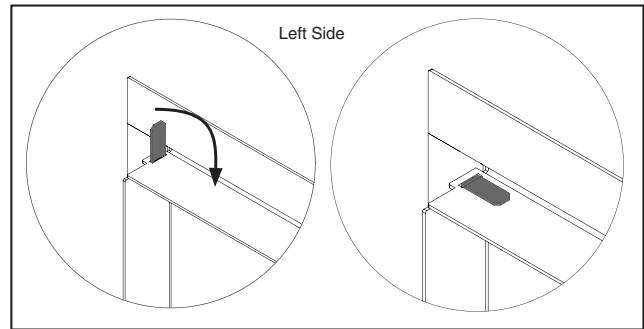
Adjust left and right to center the Face Plate.

NOTE: Do not touch the faceplate without clean, soft, gloves. Dirt or oils can be transferred onto the finish and become permanent.

Finishing Trim Installation (Part # 776-928)

The finishing trim can be installed to upgrade the look of the fireplace or to cover facing material edges.

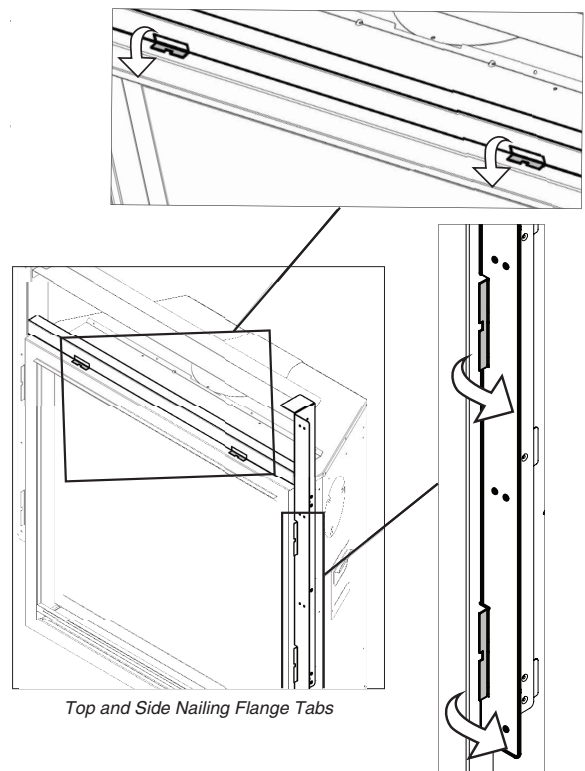
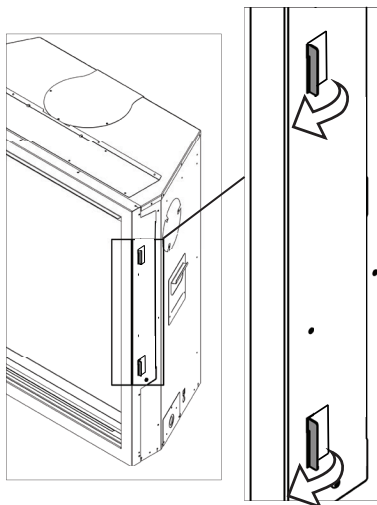
1. Lay the parts on a soft surface, painted side down.
2. Insert the tab on the left side in to the slot on the top.
3. Fold the tabs down to secure.
4. Insert the tab on the top into the slot on the right.
5. Fold the tab down to secure.



See section: Nailing Flange Install for Nailing Flange Depth Settings.

Finishing Trim Install Instructions:

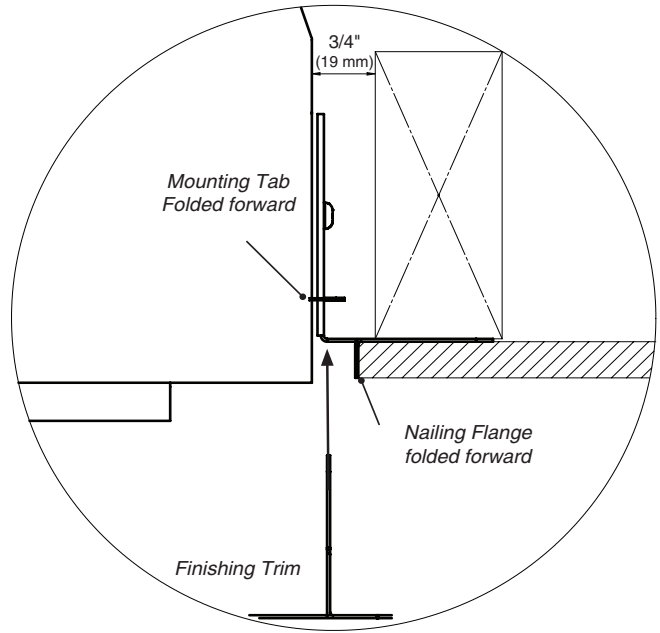
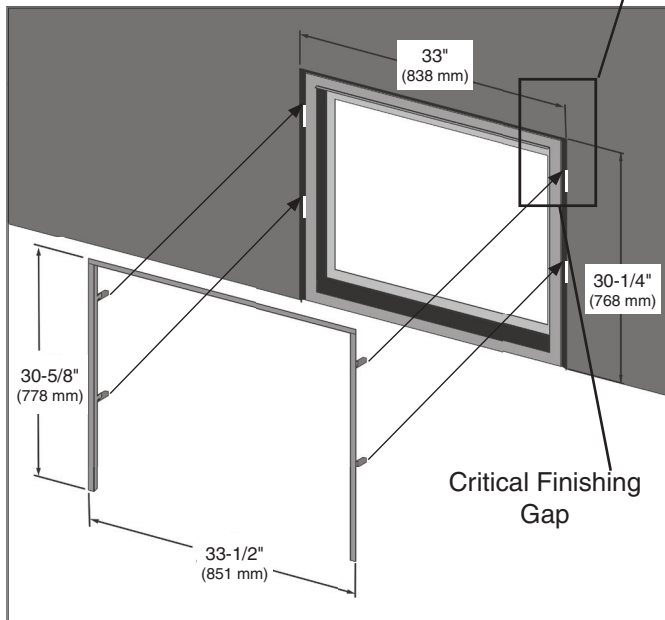
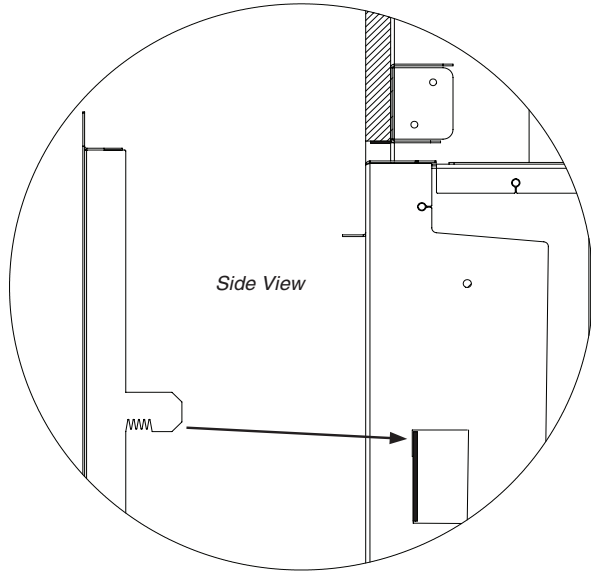
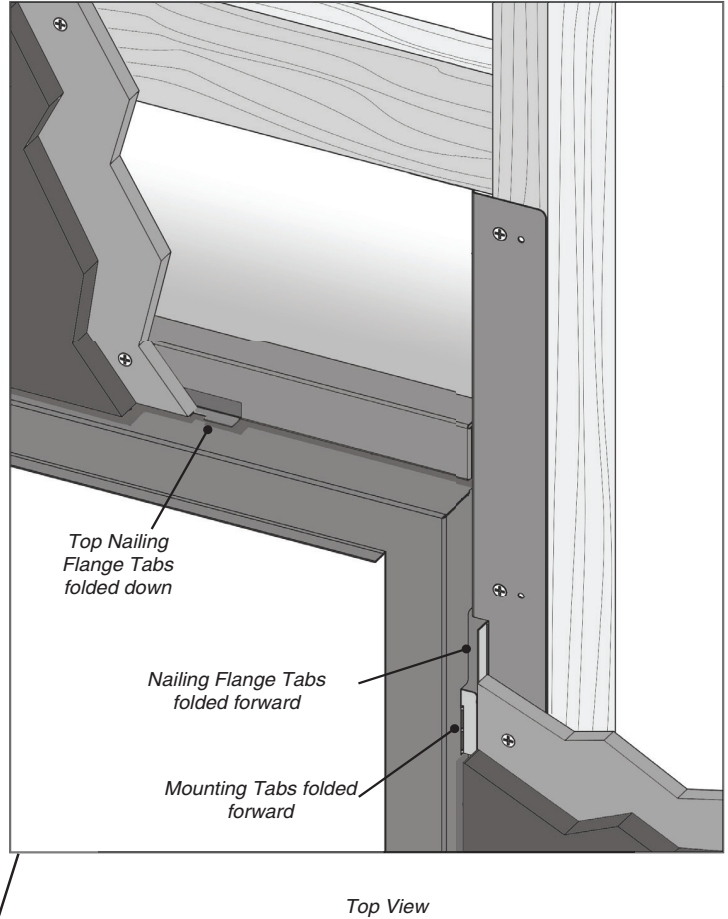
1. Bend the four tabs on the outer box front forward. There are two tabs per side. These tabs are the mounts for the faceplate or finishing trim.
2. Bend the two tabs on the top nailing flange down.
3. Bend the tabs on the left and right nailing flanges forward. There are two tabs per nailing flange.



installation

A 1/2" (13 mm) gap must be maintained on the sides and top of the fireplace to allow the finishing trim to be installed and removed. The finishing trim has adjustment for material to protrude up to 1/4" (6 mm) past the front of the finishing trim.

1. Install the finishing trim by resting the arms of the finishing trim on top of the mounting tabs.
2. Adjust left and right to center the finishing trim.



Wall Board/Drywall Installation G600EC

WARNING! Risk of Fire! Comply with all minimum clearances to combustibles as specified.

Finishing Instructions:

It is important to follow the framing and finishing instructions to ensure proper placement of fireplace into the surrounding framing/finishing materials.

Wall board materials 1/2 in. (13 mm) thick are specified in this installation manual to properly align with the optional finishing methods offered with this appliance. The G600EC may be finished to the appliance opening with 1/2 inch (13 mm) thick drywall or non combustible material depending on the application and requirements. The nailing flanges allow for adjustments up to 1-1/4" (32 mm) thickness of material.

- Ensure that the back and side clearances are maintained.

WARNING! Risk of Fire! Maintain specified air space clearances to combustibles. Inadequate air space could cause overheating and fire.

The appliance is designed to be used with 1/2 in. (13 mm) wall sheathing materials such as drywall, plywood, wood composites, or non-combustible materials. Thicker materials may be used. Refer to facing and finishing details in this manual.

Facing Material

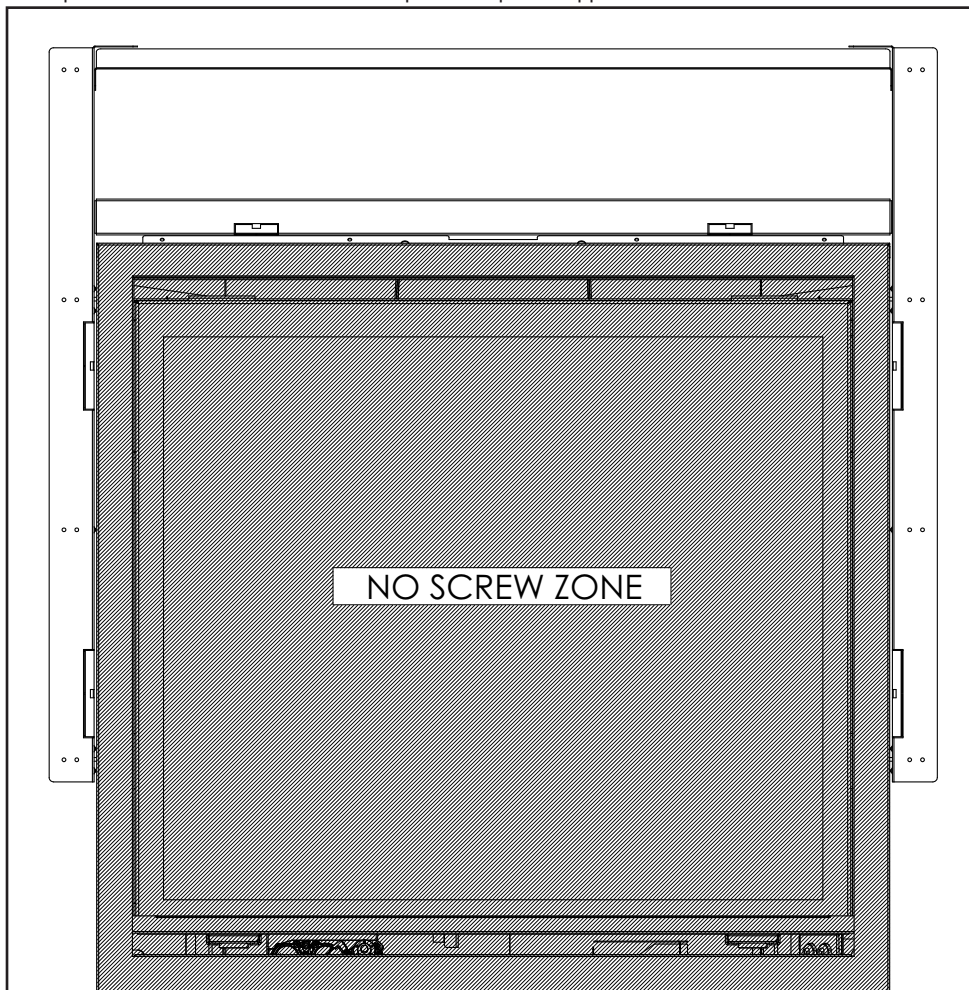
- Facing and/or finishing materials must never overhang into the glass opening.
- Facing materials may be combustible or non-combustible

WARNING! Risk of Fire! DO NOT apply combustible materials beyond the minimum clearances. Comply with all minimum clearances to combustibles as specified in this manual. Overlapping materials could ignite and will interfere with proper operation.

PAINTING

If desired finishing includes a painted wall, 100% acrylic latex, oil-based or standard acrylic paints may be used.

Follow paint manufacturer's instructions for paint and primer application.



installation

Conversion to Rear Vent

Note: This conversion must be done prior to the unit being placed in position.

The unit comes equipped as a top vent unit. These instructions are to be used only if the unit is going to be rear vented.

1. Remove the collar trim piece from the unit by removing 6 screws.

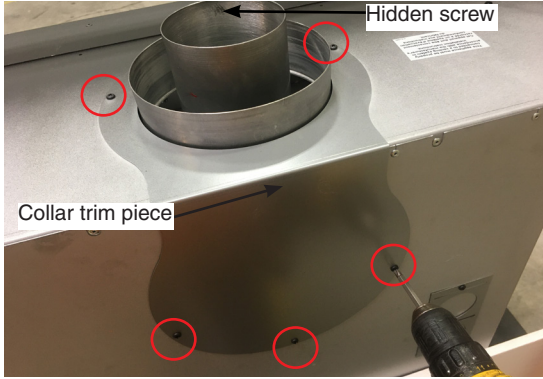


Diagram 1

2. Remove the intake cover plate from the rear by removing the top 2 screws and loosening the bottom 2 screws.



Diagram 2

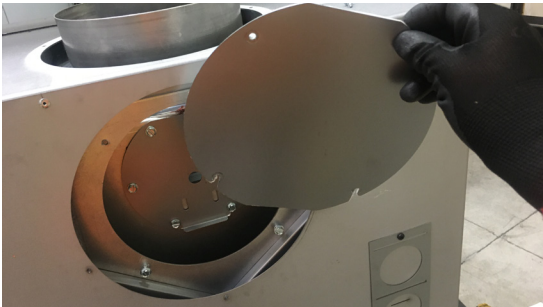


Diagram 3

3. Remove the exhaust cover plate from the rear by removing the top 4 screws and loosening the bottom 2 screws.

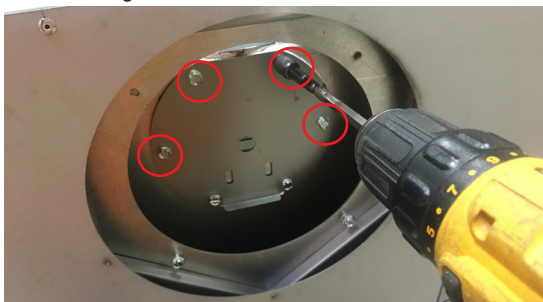


Diagram 4



Diagram 5

4. Remove the intake collar from the top by removing 4 screws.



Diagram 6

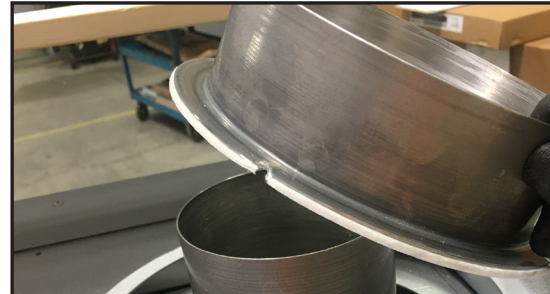


Diagram 7

5. Remove the exhaust collar from the top by removing the front 4 screws and loosening the screws closest to the back of the unit.

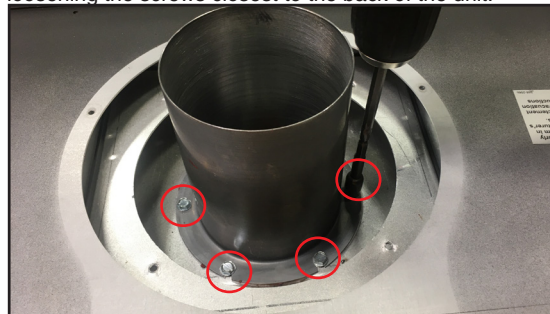


Diagram 8



Diagram 9

6. Install the exhaust cover plate on top using the same screws that previously held the exhaust collar.

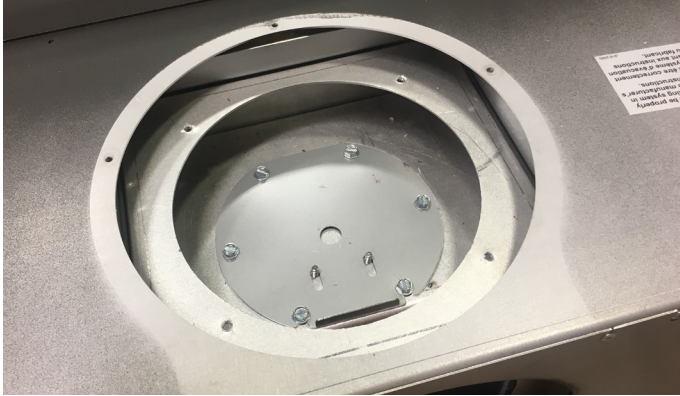


Diagram 10

8. Install the intake cover plate on top using the same screws that previously held the intake collar.



Diagram 13

7. Install the first piece of supplied insulation by inserting into the area on top of the exhaust cover plate. Position it forward so that the insulation is held in place by the bend on the exhaust cover plate.



Diagram 11

9. Install the second piece of supplied insulation by inserting into the area on top of the intake cover plate.

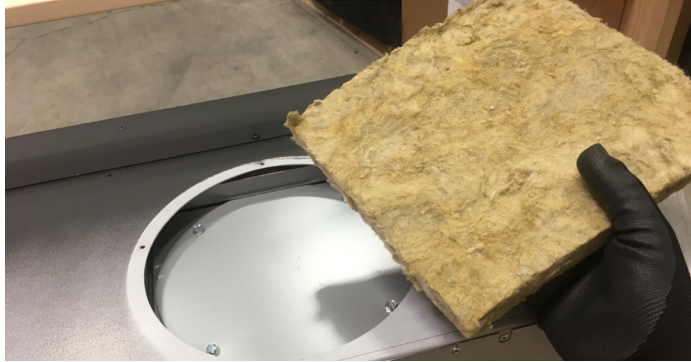


Diagram 14

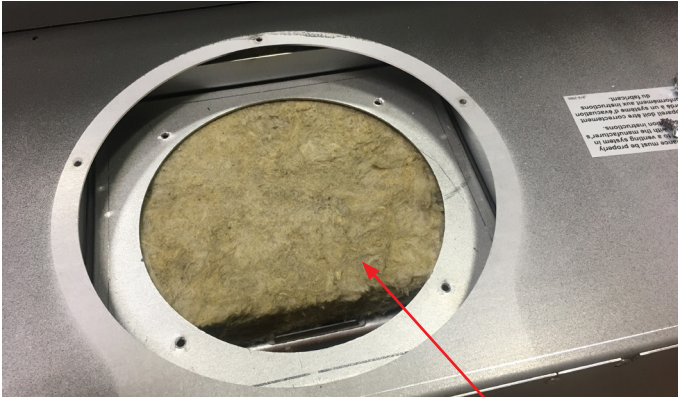


Diagram 12

Push insulation toward front of unit



Diagram 15

installation

10. Install the exhaust collar onto the rear. Hang the collar onto the 2 previously loosened bottom screws, secure in place with the 4 top screws, and then tighten the 2 bottom screws.



Diagram 16

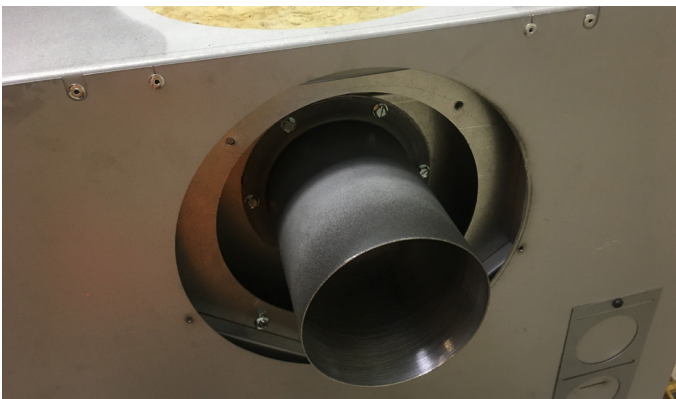


Diagram 17

11. Install the intake collar onto the rear. Hang the collar onto the previously loosened bottom screws, secure in place with the 2 top screws, and then tighten the 2 bottom screws.



Diagram 18

12. Reinstall the collar trim with 6 screws.

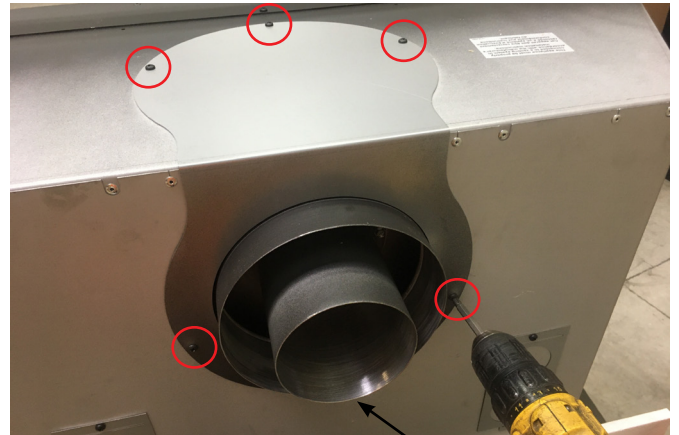


Diagram 19

Hidden screw

Vent Restrictor Installation

1. Determine the venting configuration.
2. Go to venting arrangements section (in the manual) to determine if a vent restrictor setting is required. (If required, proceed to Step 3).
3. Loosen the two screws that secure the top heat deflector and remove top heat deflector (diagram 1).
4. Align the vent restrictor plate (found in the manual package) to the required vent restrictor position, per the diagrams below.
5. Once the vent restrictor plate is in the required position, secure with 2 - 1/4" (6 mm) x 1/2" (13 mm) screws. Ensure all screws are tight.

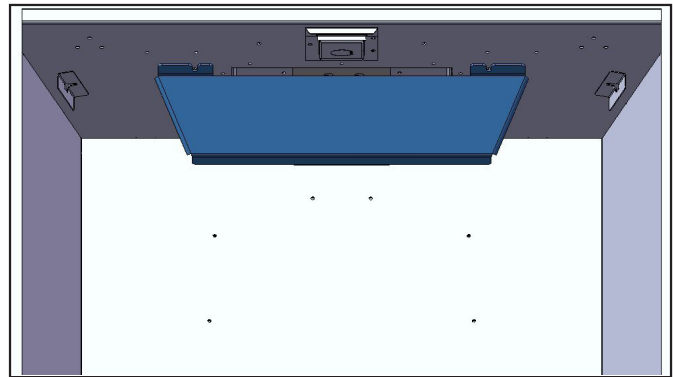
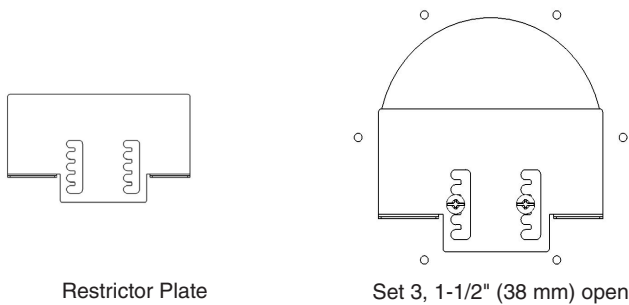


Diagram 1: Top baffle



Restrictor Plate

Set 3, 1-1/2" (38 mm) open

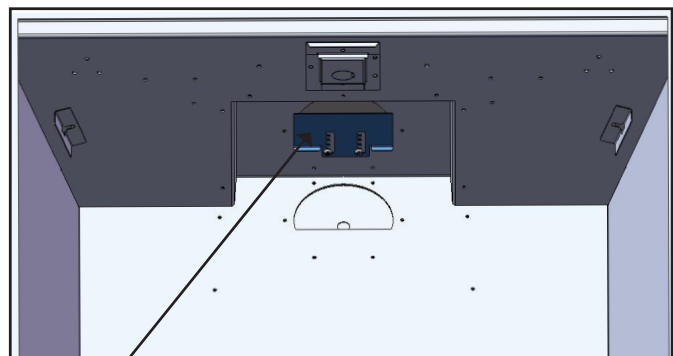
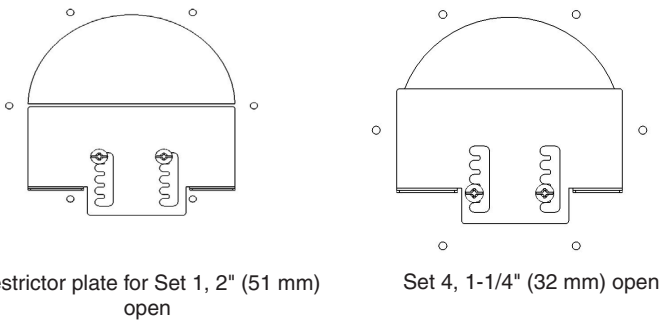
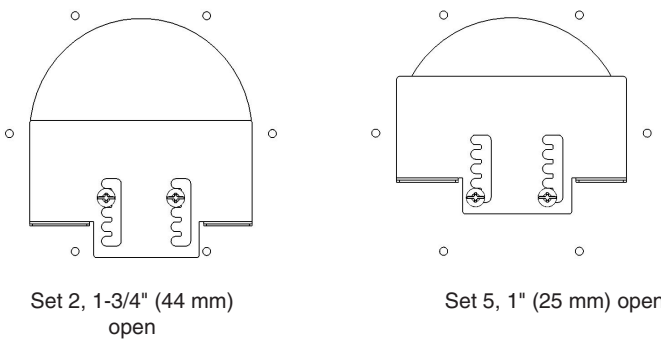


Diagram 2: Vent restrictor located on top exhaust assembly



Restrictor plate for Set 1, 2" (51 mm) open

Set 4, 1-1/4" (32 mm) open



Set 2, 1-3/4" (44 mm) open

Set 5, 1" (25 mm) open

Venting Introduction

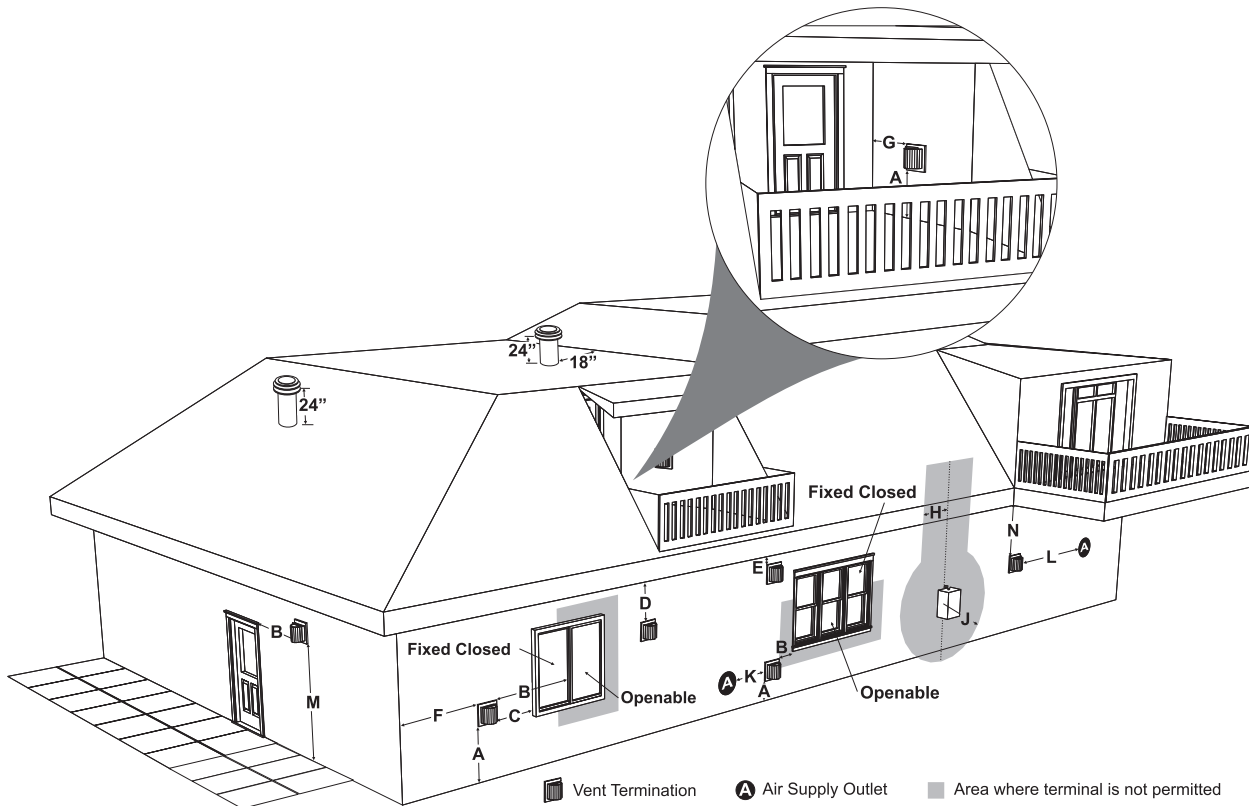
The G600EC uses the "balanced flue" technology Co-Axial system. The inner liner vents products of combustion to the outside while the outer liner draws outside combustion air into the combustion chamber thereby eliminating the need to use heated room air for combustion and losing warm room air up the chimney.

Note: These flue pipes must not be connected to any other appliance.

The gas appliance and vent system must be vented directly to the outside of the building, and never be attached to a chimney serving a separate solid fuel or gas burning appliance. Each direct vent gas appliance must use its own separate vent system. Common vent systems are prohibited.

installation

Exterior Vent Termination Requirements



| | Minimum Clearance Requirements | Canada ¹ | USA ² |
|---|---|------------------------|------------------------|
| A | Clearance above grade, veranda, porch, deck, or balcony | 12"(30cm) | 12"(30cm) |
| B | Clearance to window or door that may be opened | 12"(30cm) | 9" (23cm) |
| C | Clearance to permanently closed window | * | * |
| D | Vertical clearance to ventilated soffit located above the terminal within a horizontal distance of 2 feet (61cm) from the center line of the terminal (check with the local code) | 24"(60cm) | 24"(60cm) |
| E | Clearance to unventilated soffit | 19"(48cm) | 19"(48cm) |
| F | Clearance to outside corner: with AstroCap Termination Cap. | 13"(33cm) | 13"(33cm) |
| | Clearance to outside corner: with all other approved Termination Caps. | 13"(33cm) | 13"(33cm) |
| G | Clearance to inside corner: with AstroCap Termination Cap | 11"(28cm) | 11"(28cm) |
| | Clearance to inside corner: with all other approved Termination Caps. | 11"(28cm) | 11"(28cm) |
| H | Clearance to each side of center line extended above meter/regulator assembly | 36"(90cm) ^a | * |
| J | Clearance to service regulator vent outlet | 36"(90cm) | * |
| K | Clearance to non-mechanical air supply inlet to building or the combustion air inlet to any other appliance | 12"(30cm) | 9" (23cm) |
| L | Clearance to a mechanical air supply inlet #3' (91cm) above if within 10' (3m) horizontally. | 72"(1.8m) | 36"(90cm) ^b |
| M | Clearance above paved sidewalk or a paved driveway located on public property | 84"(2.1m) [†] | * |
| N | Clearance under veranda, porch, deck, or balcony | 12"(30cm) [‡] | * |

¹ In accordance with current CSA B149.1, *Natural Gas and Propane Installation Code*

² In accordance with the current ANSI Z223.1/NFPA 54, *National Fuel Gas Code*

A vent shall not terminate directly above a sidewalk or paved driveway which is located between two single family dwellings and serves both dwellings

† Permitted only if veranda, porch, deck, or balcony is fully open on a minimum of two sides beneath the floor

* Clearance in accordance with local installation codes and the requirements of the gas supplier

^a 3 feet (91cm) within a height of 15 feet (4.5m) above the meter / regulator assembly

^b 3 feet (91cm) above - if within 10 feet (3m) horizontally

4" X 6-5/8" Rigid Pipe Cross Reference Chart Only

Components from different Manufacturers may not be mixed. Not all Rigid Pipe components are available directly from FPI. Non-metallic venting systems shall not interchange components with another listed or unlisted metallic vent system.

Note: Olympia Ventis DV is only approved for certain models. See list of approved models in cross-reference chart.

| Description | Simpson Direct Vent Pro® | *Selkirk Direct Temp™ | *American Metal Products® Amerivent Direct | *Metal-Fab™ Sure Seal | *Security Secure-Vent® | *ICC Excel Direct | *Olympia Ventis DV*** |
|----------------------------|--------------------------|-----------------------|--|-----------------------|------------------------|-------------------|-----------------------|
| 6" Pipe Length-Galvanized | 46DVA-06 | 4DT-6 | N/A | 4D6 | SV4L6 | TC-4DL6 | VDV-0406 |
| 6" Pipe Length-Black | 46DVA-06B | 4DT-6B | N/A | 4D6B | SV4LB6 | TC-4DL6B | VDVB-0406 |
| 7" Pipe Length-Galvanized | N/A | N/A | 4D7 | N/A | N/A | N/A | N/A |
| 7" Pipe Length-Black | N/A | N/A | 4D7B | N/A | N/A | N/A | N/A |
| 9" Pipe Length-Galvanized | 46DVA-09 | 4DT-9 | N/A | N/A | N/A | TC-4DL9 | VDV-0409 |
| 9" Pipe Length-Black | 46DVA-09B | 4DT-9B | N/A | N/A | N/A | TC-4DL9B | VDVB-0409 |
| 12" Pipe Length-Galvanized | 46DVA-12 | 4DT-12 | 4D12 | 4D12 | SV4L12 | TC-4DL1 | VDV-0412 |
| 12" Pipe Length-Black | 46DVA-12B | 4DT-12B | 4D12B | 4D12B | SV4LB12 | TC-4DL1B | VDVB-0412 |
| 18" Pipe Length-Galvanized | 46DVA-18 | 4DT-18 | 4D18 | 4D18 | SV4LA | TC-4DL18 | VDV-0418 |
| 18" Pipe Length-Black | 46DVA-18B | 4DT-18B | 4D18B | 4D18B | SV4LA | TC-4DL18B | VDVB-0418 |
| 24" Pipe Length-Galvanized | 46DVA-24 | 4DT-24 | 4D24 | 4D24 | SV4L24 | TC-4DL2 | VDV-0424 |
| 24" Pipe Length-Black | 46DVA-24B | 4DT-24B | 4D24B | 4D24B | SV4LB24 | TC-4DL2B | VDVB-0424 |
| 36" Pipe Length-Galvanized | 46DVA-36 | 4DT-36 | 4D36 | 4D36 | SV4L36 | TC-4DL3 | VDV-0436 |
| 36" Pipe Length-Black | 46DVA-36B | 4DT-36B | 4D36B | 4D36B | SV4LB36 | TC-4DL3B | VDVCB-0436 |
| 48" Pipe Length-Galvanized | 46DVA-48 | 4DT-48 | 4D48 | 4D48 | SV4L48 | TC-4DL4 | VDV-0448 |
| 48" Pipe Length-Black | 46DVA-48B | 4DT-48B | 4D48B | 4D48B | SV4LB48 | TC-4DL4B | VDVB-0448 |
| 60" Pipe Length-Galvanized | 46DVA-60 | 4DT-60 | N/A | N/A | N/A | N/A | N/A |
| 60" Pipe Length-Black | 46DVA-60B | 4DT-60B | N/A | N/A | N/A | N/A | N/A |

| | | | | | | | |
|-------------------------------------|------------|-----|-------|-------|----------|-----------|-----|
| Adjustable Length 3"-10"-Galvanized | N/A | N/A | N/A | 4DAL | N/A | TC-4DLT | N/A |
| Adjustable Length 3"-10"-Black | N/A | N/A | N/A | 4DALB | N/A | TC-4DLTB | N/A |
| Adjustable Length 7"-Galvanized | N/A | N/A | 4D7A | N/A | N/A | N/A | N/A |
| Adjustable Length 7"-Black | N/A | N/A | 4D7AB | N/A | N/A | N/A | N/A |
| Extension Pipe 8-1/2"-Galvanized | 46DVA-08A | N/A | N/A | N/A | N/A | N/A | N/A |
| Extension Pipe 8-1/2"-Black | 46DVA-08AB | N/A | N/A | N/A | N/A | N/A | N/A |
| Adjustable Length 12"-Galvanized | N/A | N/A | 4D12A | N/A | SV4LA12 | TC-4dLSI | N/A |
| Adjustable Length 12"-Black | N/A | N/A | 4D12A | N/A | SV4LBA12 | TC-4dLSIB | N/A |
| Extension Pipe 16"-Galvanized | 46DVA-16A | N/A | N/A | N/A | N/A | N/A | N/A |
| Extension Pipe 16"-Black | 46DVA-16AB | N/A | N/A | N/A | N/A | N/A | N/A |

| | | | | | | | |
|--------------------------------------|----------------|------------|------------|--------|------------|-----------|-------------|
| 45° Elbow-Galvanized | 46DVA-E45 | 4DT-EL45 | 4D45L | N/A | N/A | TE-4DE45 | VDV-EL0445 |
| 45° Elbow-Black | 46DVA-E45B | 4DT-EL45B | 4DT-EL45B | N/A | N/A | TE-4DE45B | VDVB-EL0445 |
| 45° Elbow Swivel-Galvanized | See 46DVA-E45 | N/A | N/A | 4D45L | SV4E45 | N/A | N/A |
| 45° Elbow Swivel-Black | See 46DVA-E45B | N/A | N/A | 4D45LB | SV4EB45 | N/A | N/A |
| 90° Elbow-Galvanized | 46DVA-E90 | 4DT-EL90S | 4DT-EL90S | N/A | N/A | TE-4DE90 | VDV-EL0445 |
| 90° Elbow-Black | 46DVA-E90B | 4DT-EL90SB | 4DT-EL90SB | N/A | SV4EBR90-1 | TE-4DE90B | VDVB-EL0445 |
| 90° Elbow, Swivel-Galvanized | See 46DVA-E90 | N/A | N/A | 4D90L | SV4E90-1 | N/A | N/A |
| 90° Elbow, Swivel-Black | See 46DVA-E90B | N/A | N/A | 4D90LB | SV4EB90-1 | N/A | N/A |
| 90° Starter Elbow, Swivel-Galvanized | N/A | N/A | N/A | 4D90A | N/A | N/A | N/A |
| Adaptor* | N/A | N/A | N/A | 4D90L | N/A | N/A | VDV-UAA04 |

| | | | | | | | |
|------------------------------------|----------|----------|-------|-------|--------|---------|-----------|
| Ceiling Support | N/A | 4DT-CS | 4DSP | 4DFSP | SV4SD | TM4-RDS | VDV-SCR04 |
| Cathedral Support Box | 46DVA-CS | 4DT-CSS | 4DRSB | 4DRS | SV4CSB | TM4-SDS | VDV-CSS04 |
| Wall Support/Band | 46DVA-WS | 4DT-WS/B | 4DWS | 4DWS | SV4BM | TM-SWS | VDV-WS04 |
| Offset Support | 46DVA-ES | 4DT-OS | N/A | N/A | SV4SU | TM-SOS | N/A |
| Wall Thimble-Black | 46DVA-WT | 4DT-WT | 4DWT | 4DWT | SV4RSM | N/A | VDV-WPT04 |
| Wall Thimble Cover/Ceiling Support | 46DVA-DC | N/A | N/A | N/A | SV4PF | N/A | N/A |
| Firestop Spacer | 46DVA-FS | 4DT-FS | 4DFSP | 4DFS | SV4BF | TM-4CS | VDV-FS04 |
| Trim Plate-Black | N/A | 4DT-TP | 4DFPB | 4DcP | SV4LA | TM-4TP | VDV-WTC04 |

* Not available from Regency

installation

| Description | Simpson Direct Vent Pro® | *Selkirk Direct Temp™ | *American Metal Products® Amerivent Direct | *Metal-Fab™ Sure Seal | *Security Secure- Vent® | *ICC Excel Direct | *Olympia Ventis DV*** |
|---|--------------------------|-----------------------|--|-----------------------|-------------------------|-------------------|-----------------------|
| Attic Insulation Shield 12" | 46DVA-IS | N/A | 4DAIS12 | 4DIS | SV4RSA | N/A | VDV-AIS04 |
| Attic Insulation Shield - Cold Climates 36" | 46DVA-KHA | N/A | 4DAIS12 | N/A | N/A | TM-4AS | N/A |

| | | | | | | | |
|--------------------------------------|-----|---------|--------|--------|--------|---------|----------|
| Basic Horizontal Termination Kit (A) | N/A | 4DT-HKA | 4DHTK2 | 4DHTKA | SV-SHK | TM4-HTK | VDV-KW04 |
| Horizontal Termination Kit (B) | N/A | 4DT-HKB | 4DHTK1 | 4DHTKB | SV-HK | TM4-HTK | VDV-K04 |
| Vertical Termination Kit | N/A | 4DT-VKC | 4DHTK | 4DHTK | SV-FK | N/A | N/A |

| | | | | | | | |
|-----------------------------------|-----------|---------|------|------|----------|---------|------------|
| High Wind Vertical Cap | 46DVA-VCH | N/A | N/A | N/A | N/A | TM-4VT | VDV-VCHW04 |
| High Wind Horizontal Cap | N/A | N/A | N/A | N/A | N/A | TM-4DHT | N/A |
| Horizontal Square Termination Cap | 46DVA-HC | 4DT-HHC | 4DHC | 4DHT | SV4CHC-1 | TM-4HT | VDV-HC04 |
| Vertical Termination Cap | 46DVA-VC | 4DT-VT | 4DVC | 4DVT | SV4CGV-1 | N/A | N/A |
| Storm Collar | 46DVA-SC | 4DT-SC | 4DSC | 4DSC | SV4FC | TM-SC | VDV-SC04 |

| | | | | | | | |
|--------------------------------|-----------|----------|-------|--------|----------|--------|-----------|
| Flashing - Flat Roof | 46DVA-FF | N/A | N/A | N/A | N/A | N/A | N/A |
| Adjustable Flashing 0/12-6/12 | 46DVA-F6 | 4DT-ST14 | 4D12S | 4DF | SV4STC14 | TF-4FA | VDV-F0406 |
| Adjustable Flashing 6/12-12/12 | 46DVA-F12 | 4DT-ST36 | 4D36S | 4DF-12 | SV4STC36 | TF-4FB | VDV-SSO |

| | | | | | | | |
|---------------------------|-----------|---------|-----|------|-------|--------|-----|
| Vinyl Siding Standoff | 46DVA-VSS | 4DT-VS | N/A | 4DVS | SV4VS | TM-VSS | N/A |
| Vinyl Siding Shield Plate | N/A | 4DT-VSP | N/A | N/A | SV4VS | N/A | N/A |

| | | | | | | | |
|-------------------------|-------------|-----|-----|-----|-----|----------|-----|
| Snorkel Termination 14" | 46DVA-SNK14 | N/A | N/A | N/A | N/A | TM-4ST14 | N/A |
| Snorkel Termination 36" | N/A | N/A | N/A | N/A | N/A | TM-4ST36 | N/A |

| | | | | | | | |
|---------------|-----------|-----|-----|-----|-----|--------|----------|
| Wall Firestop | 46DVA-WFS | N/A | N/A | N/A | N/A | TM-4TR | VDV-FS04 |
|---------------|-----------|-----|-----|-----|-----|--------|----------|

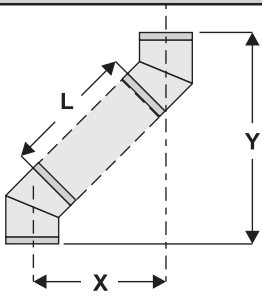
* Not available from Regency

***Olympia Ventis DV application for the following units only when using 4" x 6-5/8" vent system: B36XTE, B36XTCE, all City Series 40 models, CV72E/CB72E (power-vented models only), G600C, G600EC, G800C, G800EC, P36, P36E, RC500E.

| FPI | | | |
|-----------|---|-----------|---|
| 946-506/P | Vent Guard (Optional) for AstroCap | 946-205 | Vinyl Siding Shield for Riser Vent Terminal |
| **510-994 | Rigid Pipe Adaptor (Must use with all rigid piping) | 946-208/P | Vent Guard (Optional) for Riser Vent Terminal |
| 640-530/P | Riser Vent Terminal | 946-523/P | AstroCap Horizontal Cap |
| | | 946-206 | Vinyl Siding Standoff for AstroCap |

**The rigid pipe adaptor is not required on the C34, C34E, U39, U39E, H15, H27, H35 & RC500E.

Note: When using Metal-Fab Sure Seal Rigid Piping - please note that the Adaptor (4DDA) must be used in conjunction with FPI Rigid Pipe Adaptor (510-994).

| Offset Pipe Selection: Use this table to determine offset pipe lengths. | | | | |
|---|---------------------|--------------------|---|--|
| Pipe Length (L) | 4" x 6-5/8" Venting | |  | For specific instructions on venting components - visit the manufacturers website listed below. Simpson Direct Vent Pro: www.duravent.com Selkirk Direct-Temp: www.selkirkcorp.com American Metal Products: www.americanmetalproducts.com Metal-Fab Sure Seal: www.mtfab.com Security Secure Vent: www.securitychimneys.com Industrial Chimney Company: www.icc-rsf.com Olympia Ventis DV: www.olympiachimney.com |
| | Run (X) | Rise (Y) | | |
| 0" (0mm) | 4-7/8" (124mm) | 13-7/8" (340mm) | | |
| 6" (152mm) | 8" (203mm) | 16-1/2" (419mm) | | |
| 9" (229mm) | 10-1/8" (257mm) | 18-5/8" (473mm) | | |
| 12" (305mm) | 12-1/4" (311mm) | 20-3/4" (527mm) | | |
| 24" (610mm) | 20-5/8" (524mm) | 29-1/8" (740mm) | | |
| 36" (914mm) | 29" (737mm) | 37-1/2" (953mm) | | |
| 48" (1219mm) | 37-7/16" (951mm) | 45-15/16" (1167mm) | | |

Note: Horizontal runs of vent must be level, or have a 1/4" rise for every 1 foot of run towards the termination.
Never allow the vent to run downward - this could cause high temperatures and may present a possible fire hazard.

Venting Arrangements for Horizontal Terminations Flex Vent or Rigid Pipe 4" (102 mm) x 6-5/8" (168 mm)

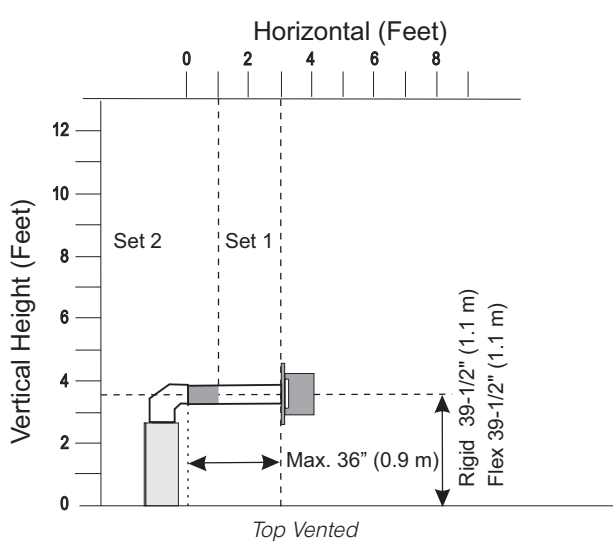
The Diagrams show all allowable combinations of vent runs with 4" (102 mm) x 6-5/8" (168 mm) venting using the Regency direct vent system or rigid vent system.

A vent guard should be used whenever the termination is lower than the specified minimum or as per local codes.

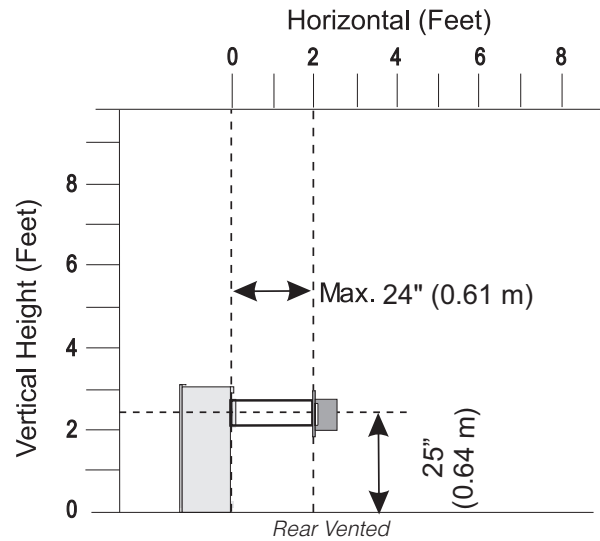
For horizontal terminations the Regency Direct Vent Flex System may be used for installations with a maximum **continuous** vent maximum horizontal length of 3ft (0.9m).

Note: Must use optional rigid pipe adaptor (Part # 510-994) when using Rigid Pipe vent systems.

- Maintain clearance to combustibles.
- Horizontal vent must be supported every 3 feet.
- Firestops are required at each floor level and whenever passing through a wall.



Top Vented
Set #1: 2" (51 mm) open between 1-3' (0.3 - 0.91 m) horizontal
Set #2: 1-3/4" open (44 mm) less than 1' (0.3 m) horizontal



Rear Vented
Factory Setting - 2-1/2" (64 mm)

installation

Rigid Pipe Venting Systems Horizontal or Vertical Terminations

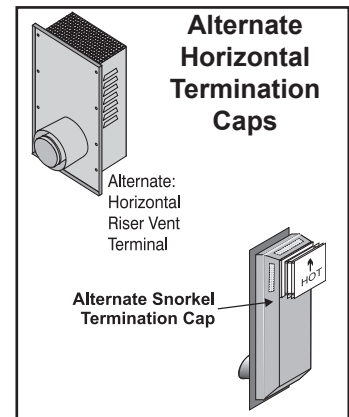
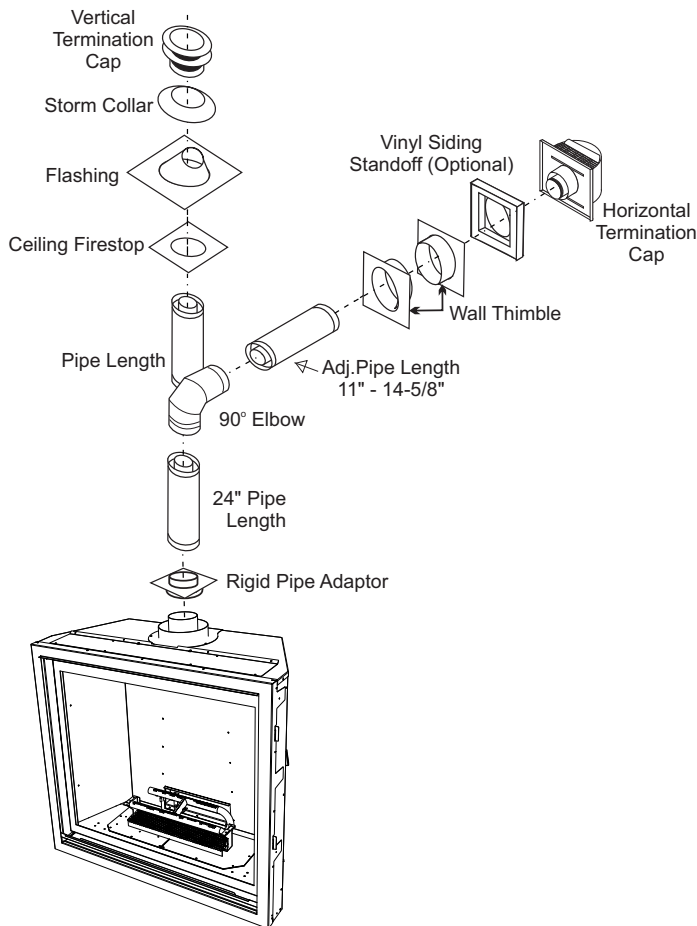
The minimum components required for a basic horizontal termination are:

- 1 Horizontal Termination Cap
- 1 90° Elbow
- 1 Rigid Pipe Adaptor
- 1 Wall Thimble
- 1 Length of pipe to suit wall thickness (see chart)

Wall thickness is measured from the back standoffs to the inside mounting surface of termination cap. For siding other than vinyl furring strips may be used, instead of the vinyl siding standoff, to create a level surface to mount the vent terminal. The Terminal must not be recessed into siding. Measure the wall thickness including furring strips.

If a Vinyl Siding Standoff is required (it must be used with vinyl siding), measure to outside surface of wall without siding and add 2 inches.

| Flat Wall Installation | |
|------------------------------------|---|
| Wall Thickness (inches) | Vent Length Required (inches) |
| 4" (102 mm) - 5-1/2" (140 mm) | 6" (152 mm) |
| 7" (178 mm) - 8-1/2" (216 mm) | 9" (229 mm) |
| 10" (254 mm) - 11-1/2" (292 mm) | 12" (305 mm) |
| 9" (229 mm) - 14-1/2" (368 mm) | 11" (279 mm) - 14-5/8" (371 mm) Adj. Pipe |
| 15" (381 mm) - 23-1/2" (597 mm) | 17" (432 mm) - 24" (610 mm) Adj. Pipe |
| Corner Installation | |
| Wall Thickness (inches) | Vent Length Required (inches) |
| 3-1/4" (83 mm) - 6-3/4" (171 mm) | 11" (279 mm) - 14-5/8" (371 mm) Adj. Pipe |
| 7-3/4" (197 mm) - 16-1/4" (413 mm) | 17" (432 mm) - 24" (610 mm) Adj. Pipe |
| 7-1/4" - 8-3/4" (146 mm) | 6" (152 mm) + 12" (305 mm) 9" (229 mm) + 9" (229 mm) |
| 4-1/4" (108 mm) - 5-3/4" | 6" (152 mm) + 9" (229 mm) |



WARNING:

Do not combine venting components from different venting systems.

However use of the AstroCap™ and FPI Riser is acceptable with all systems.

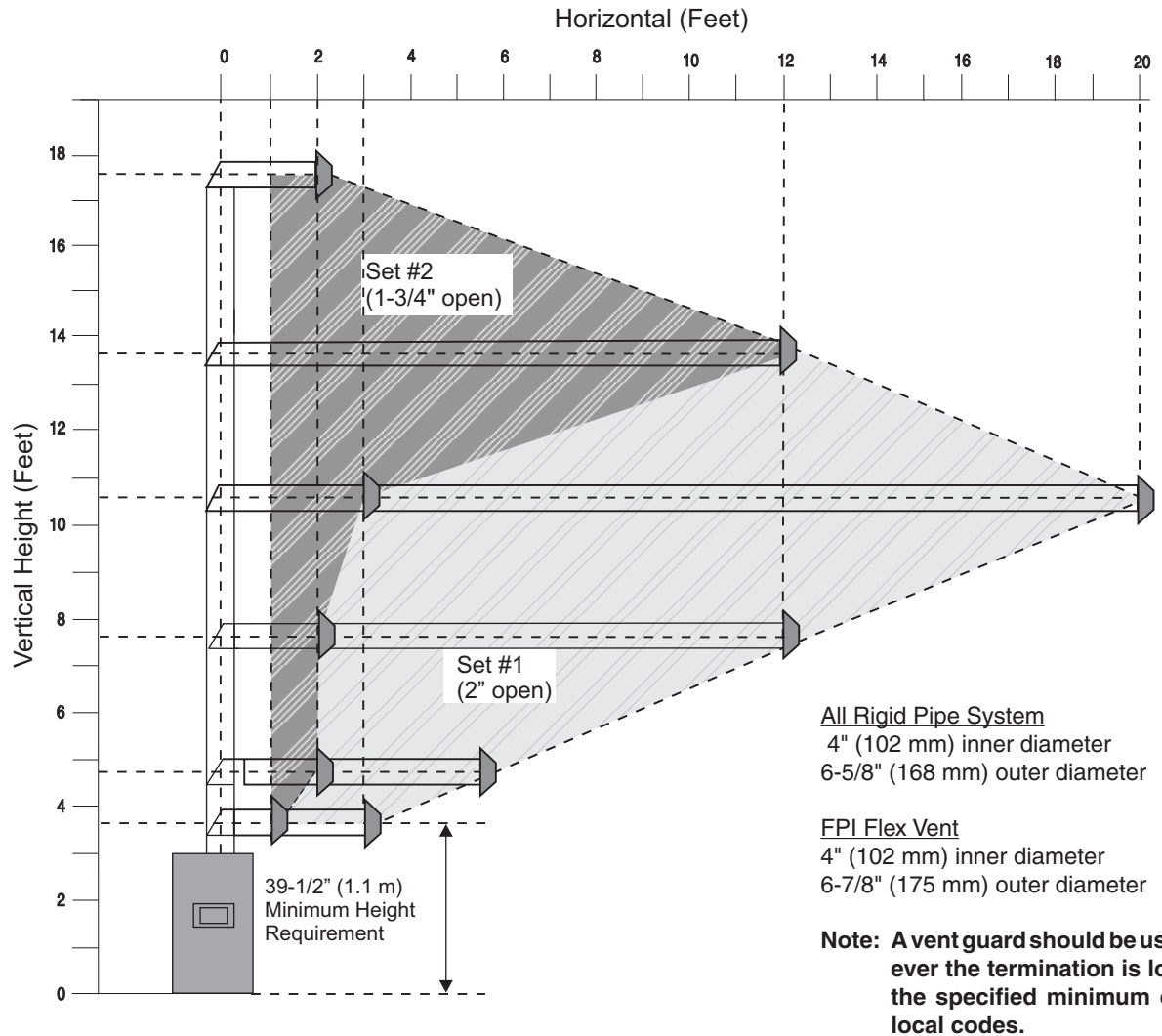
This product has been evaluated by Intertek for using a Rigid Pipe Adaptor in conjunction with DuraVent Direct Vent, Selkirk Direct-Temp, Ameri Vent Direct venting, Olympia Ventis DV and Security Secure Vent systems. Use of these systems with the Rigid Pipe Adaptor is deemed acceptable and does not affect the Intertek WHI listing of components.

The FPI AstroCap™ and FPI Riser Vent terminal are certified for installations using FPI venting systems as well as Simpson Dura-Vent® Direct Vent , American Metal Products, Olympia Ventis DV, Security Secure Vent®, AmeriVent Direct Vent. AstroCap™ is the proprietary trademark of FPI Fireplace Products International Ltd. Dura-Vent® and Direct Vent are registered and/or proprietary trademarks of Simpson Dura-Vent Co. Inc.

Venting Arrangements - Horizontal Termination Rigid Pipe and FPI Direct Vent System (Flex) (Propane & Natural Gas)

The diagram shows all allowable combinations of vertical runs with horizontal terminations, using one 90° elbow (two 45° elbows equal one 90° elbow).

Note: Must use optional rigid pipe adaptor (Part # 510-994) when using Rigid Pipe venting systems.



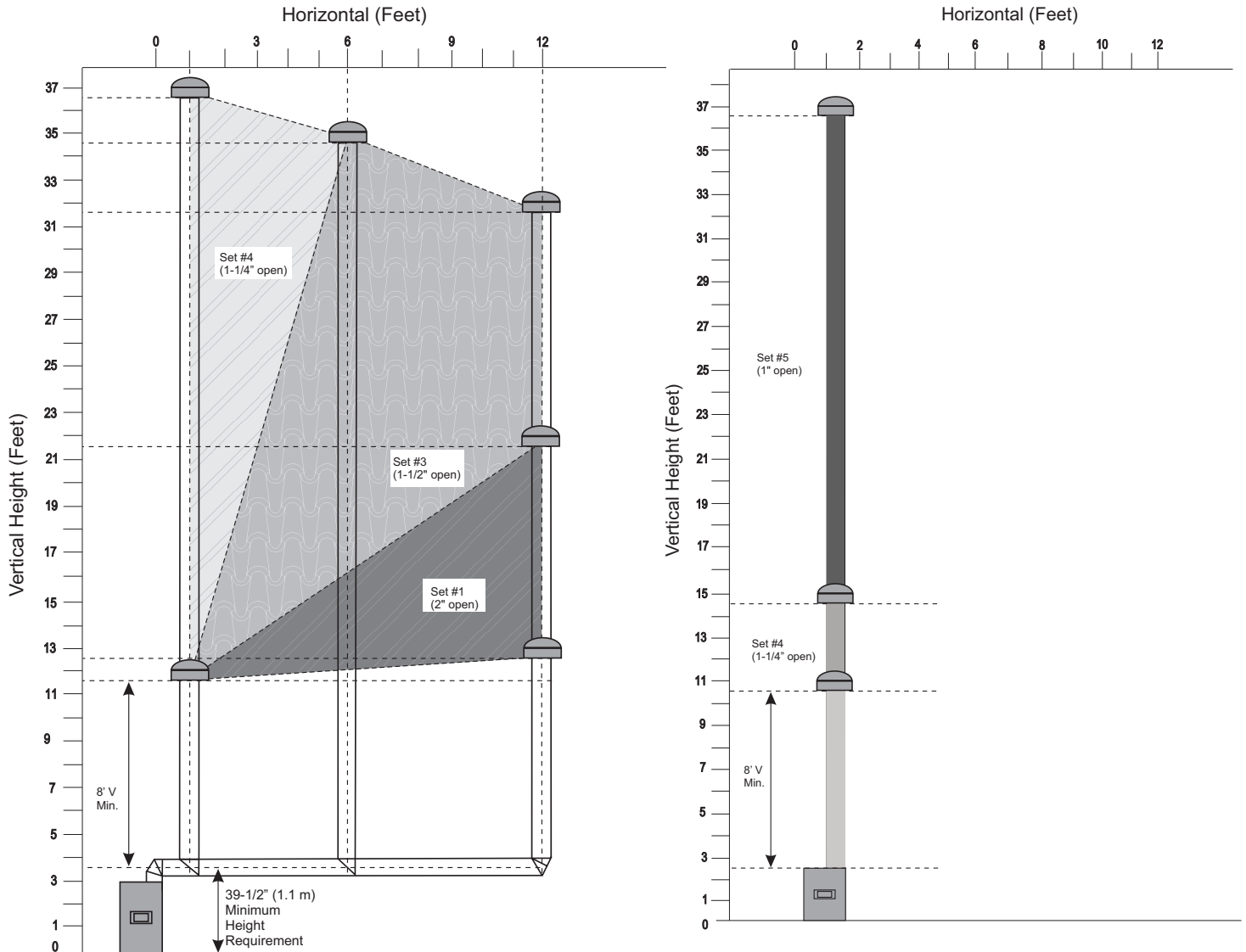
- Maintain clearances to combustibles.
- Horizontal vent must be supported every 3 feet.
- Firestops are required at each floor level and whenever passing through a wall.

Note: FPI Direct Vent Flex System Part #:946-513 (2 foot / 0.61 m), 946-515 (4 foot / 1.22 m) and 946-516 (10 foot / 3.05 m) only are approved for horizontal terminations.

installation

Venting Arrangements Vertical Termination Rigid Pipe System and Vertical Flex Kit to Same Limitations (Propane & Natural Gas)

The shaded area in the diagram shows all allowable combinations of straight vertical and offset to vertical terminations, using two 90° elbows, with rigid pipe vent systems for Propane and Natural Gas.



- Vent must be supported at offsets.
- Firestops are required at each floor level and whenever passing through a wall.
- Maintain clearances to combustibles.

Note: Must use optional rigid pipe adaptor when using rigid vent systems (Part # 510-994).

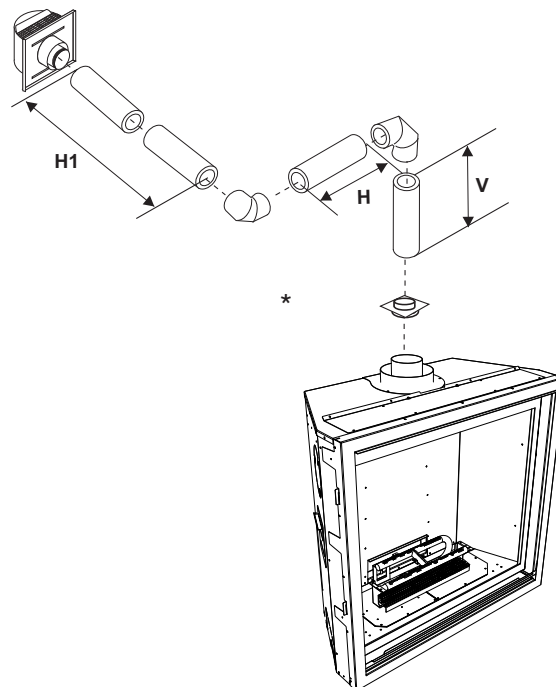
Horizontal Terminations

Two (2) 90° Elbows

| One 90° elbow = Two 45° elbows. | | |
|---------------------------------|------------------|------------------|
| Option | V | H + H1 |
| A) | 0' Min. | 2' (0.61 m) Max. |
| B) | 1' (0.3 m) Min. | 3' (0.91 m) Max. |
| C) | 2' (0.61 m) Min. | 4' (1.22 m) Max. |
| D) | 3' (0.91 m) Min. | 5' (1.52 m) Max. |
| E) | 4' (1.22 m) Min. | 6' (1.82 m) Max. |
| F) | 5' (1.52 m) Min. | 7' (2.13 m) Max. |
| G) | 6' (1.82 m) Min. | 8' (2.44 m) Max. |

With these options, maximum total pipe length is 30 feet (9.14 m) with minimum of 6 feet (1.82 m) total vertical and maximum 8 feet (2.44 m) total horizontal.
Please note minimum 1 foot (0.3 m) between 90° elbows is required.

Restrictor Set #1 - 2" (51 mm) open. Lengths do not include elbows indicated.
 *Required when using rigid venting.



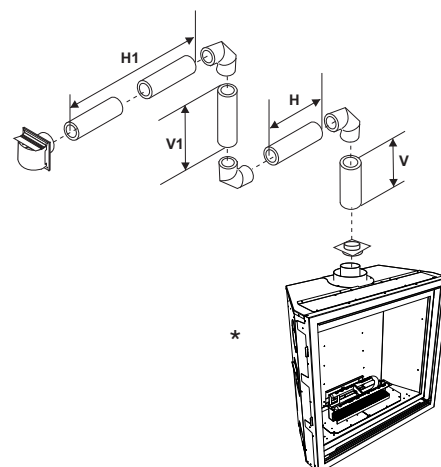
Horizontal Terminations

Three (3) 90° Elbows

| One 90° elbow = Two 45° elbows. | | | | |
|---------------------------------|------------------|------------------|-------------------|------------------|
| Option | V | H | V + V1 | H + H1 |
| A) | 0' Min. | 1' (0.3 m) Max. | 1' (0.3 m) Min. | 2' (0.61 m) Max. |
| B) | 1' (0.3 m) Min. | 2' (0.61 m) Max. | 3' (0.91 m) Min. | 3' (0.91 m) Max. |
| C) | 2' (0.61 m) Min. | 2' (0.61 m) Max. | 5' (1.52 m) Min. | 4' (1.22 m) Max. |
| D) | 3' (0.91 m) Min. | 2' (0.61 m) Max. | 7' (2.13 m) Min. | 5' (1.52 m) Max. |
| E) | 4' (1.22 m) Min. | 3' (0.91 m) Max. | 9' (2.74 m) Min. | 6' (1.82 m) Max. |
| F) | 5' (1.52 m) Min. | 4' (1.22 m) Max. | 10' (3.04 m) Min. | 7' (2.13 m) Max. |
| G) | 6' (1.82 m) Min. | 5' (1.52 m) Max. | 11' (3.35 m) Min. | 8' (2.44 m) Max. |
| H) | 7' (2.13 m) Min. | 6' (1.82 m) Max. | 12' (3.66 m) Min. | 9' (2.74 m) Max. |

With these options, max. total pipe length is 30 feet (9.14 m) with min. of 12 feet (3.66 m) total vertical and max. 9 feet (2.79 m) total horizontal.
Please note min. 1 foot (0,3 m) between 90° elbows is required.

Restrictor Set #1 - 2" (51 mm) open. Lengths do not include elbows included.
 *Required when using rigid venting



installation

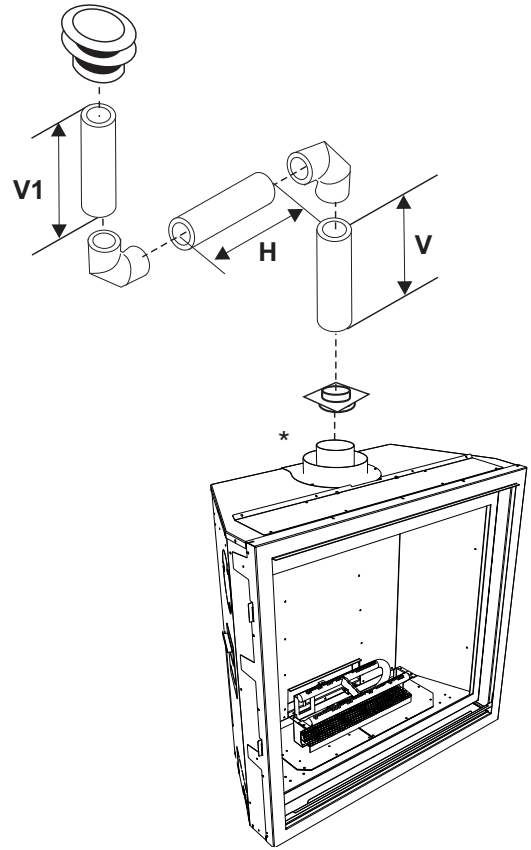
Vertical Venting With Two (2) 90° Elbows

| <i>One 90° elbow = Two 45° elbows.</i> | | | |
|--|------------------|------------------|------------------|
| Option | V | H | V + V1 |
| A) | 0' Min. | 2' (0.61 m) Max. | 1' (0.3 m) Min. |
| B) | 1' (0.3 m) Min. | 4' (1.22 m) Max. | 3' (0.91 m) Min. |
| C) | 2' (0.61 m) Min. | 5' (1.52 m) Max. | 4' (1.22 m) Min. |
| D) | 3' (0.91 m) Min. | 6' (1.82 m) Max. | 5' (1.52 m) Min. |
| E) | 4' (1.22 m) Min. | 7' (2.13 m) Max. | 6' (1.82 m) Min. |
| F) | 5' (1.52 m) Min. | 8' (2.43 m) Max. | 7' (2.13 m) Min. |

With these options, maximum total pipe length is 30 feet (9.14 m) with minimum of 7 feet (2.13 m) total vertical and maximum 8 feet (2.44 m) total horizontal.

Please note minimum 1 foot between 90° elbows is required.

Restrictor Set #1 - 2" (51 mm) open
Lengths do not include elbow indicated.
***Required when using rigid venting**



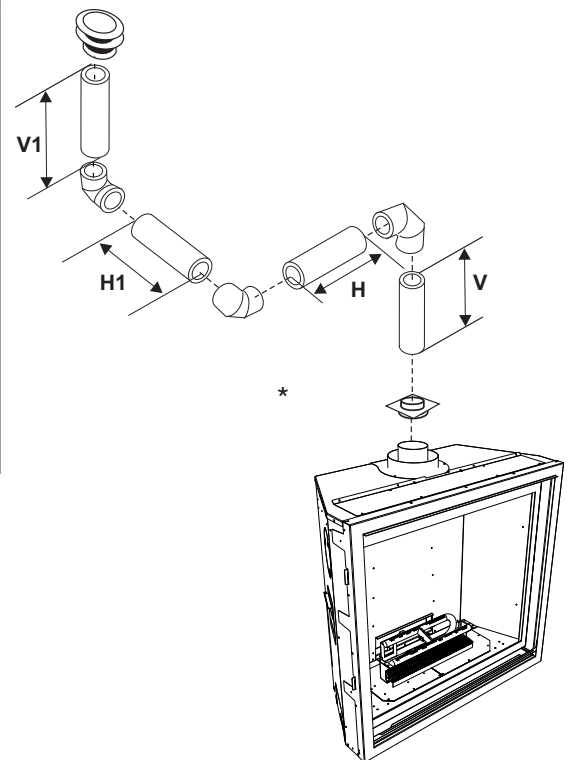
Vertical Venting With Three (3) 90° Elbows

| <i>One 90° elbow = Two 45° elbows.</i> | | | |
|--|------------------|------------------|--------------------|
| Option | V | H + H1 | V + V1 |
| A) | 0' Min. | 2' (0.61 m) Max. | 2' (0.61 m) Min. |
| B) | 1' (0.3 m) Min. | 2' (0.61 m) Max. | 3' (0.91 m) Min. |
| C) | 2' (0.61 m) Min. | 3' (0.91 m) Max. | 4' (1.22 m) Min. |
| D) | 3' (0.91 m) Min. | 4' (1.22 m) Max. | 6' (1.82 m) Min. |
| E) | 4' (1.22 m) Min. | 5' (1.52 m) Max. | 7' (2.13 m) Min. |
| F) | 5' (1.52 m) Min. | 6' (1.82 m) Max. | 8' (2.44 m) Min. |
| G) | 6' (1.82 m) Min. | 7' (2.13 m) Max. | 9' (2.74 m) Min. |
| H) | 7' (2.13 m) Min. | 8' (2.44 m) Max. | 10' (3.043 m) Min. |

With these options, maximum total pipe length is 30 feet (9.14 m) with minimum of 10 feet (3.05 m) total vertical and maximum 8 feet (2.44 m) total horizontal.

Please note minimum 1 foot between 90° elbows is required.

Restrictor Set #1 - 2" (51 mm) open
Lengths do not include elbow indicated.
***Required when using rigid venting**



Venting Arrangements With Co-linear Flex System Into a Masonry Chimney Application

IMPORTANT: As shown below, the unit can only be vented from the top, not from the rear.

THE APPLIANCE MUST NOT BE CONNECTED TO A CHIMNEY FLUE SERVING A SEPARATE SOLID FUEL BURNING APPLIANCE.

Masonry chimneys may take various contours which the flexible liner will accommodate. However, **keep the flexible liner as straight as possible**, avoid unnecessary bending.

The Air Intake pipe must be attached to the inlet air collar of the termination cap.

This appliance is designed to be attached to two 3" (76mm) co-linear aluminium flex running the full length of the chimney. See the Venting Arrangements on next page for minimum and maximum heights.

Required Parts:

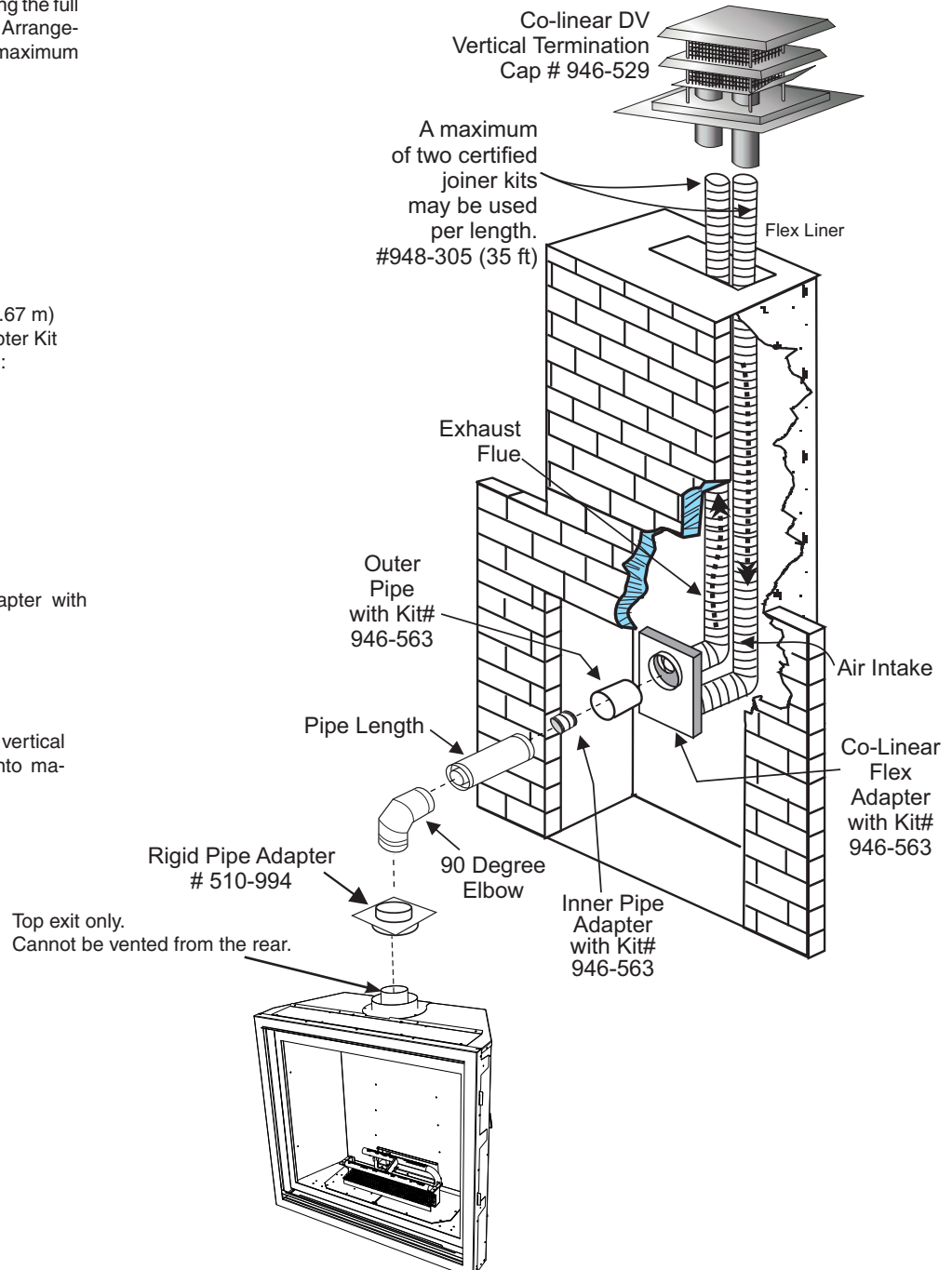
| Part # | Description |
|---------|---|
| 946-529 | Co-linear DV Vertical Termination Cap |
| 948-305 | 3" (76 mm) Flex - 35 ft. (10.67 m) |
| 946-563 | Co-Axial to Co-Linear Adapter Kit which contains the following: Co-linear Flex Adapter Outer Pipe Inner Pipe Adapter |

Alternate Approved Caps

| | |
|-----------|--|
| 46dva-VC | Vertical Termination Cap |
| 46dva-VCH | High Wind Cap |
| 46dva-GK | 3" (76 mm) Co-linear Adapter with flashing |

NOTE:

See detailed venting arrangements, vertical terminations, co-linear flex system into masonry fireplaces in this manual.



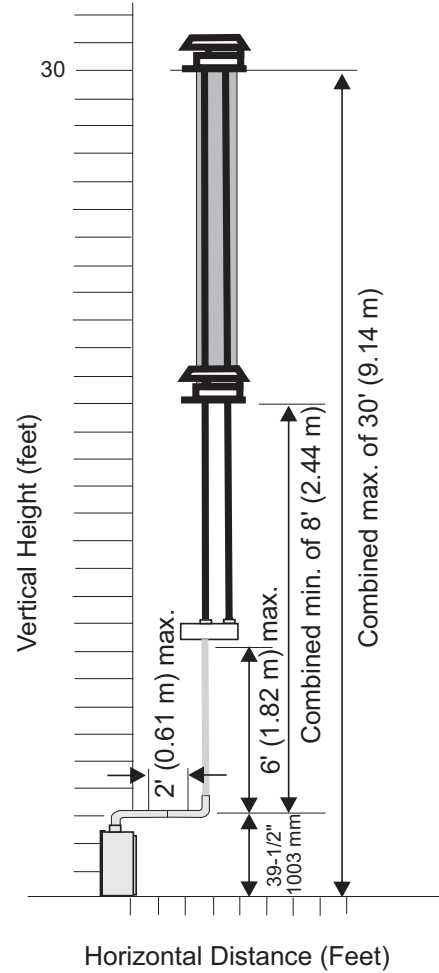
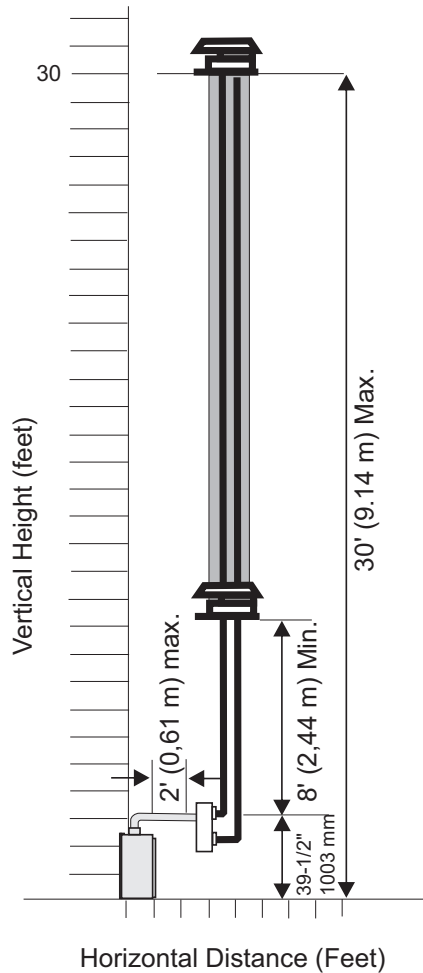
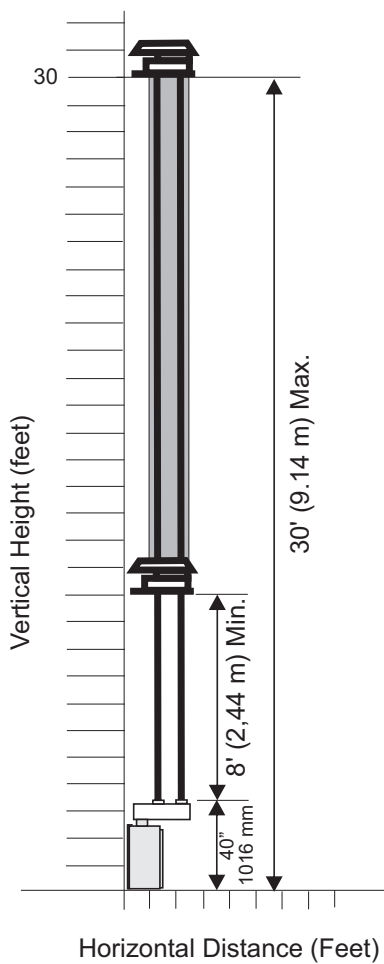
installation

Venting Arrangement - Vertical Terminations Co-linear Flex System Into Masonry Fireplaces

FOR BOTH RESIDENTIAL & MANUFACTURED HOMES

IMPORTANT: As shown below, the unit can only be vented from the top, not from the rear.

Restrictor at Set #1 (2" open)



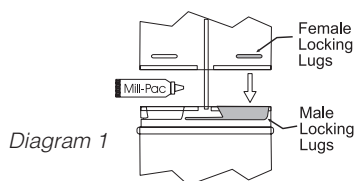
Unit Installation With Horizontal Termination

Install the vent system according to the manufacturer's instructions included with the components.

1. Set the unit in its desired location. Check to determine if wall studs or roof rafters are in the way when the venting system is attached. If this is the case, you may want to adjust the location of the unit. Rough in the gas preferably on the right side of the unit and the electrical (junction block is on the left side) on the left.
2. Direct Vent pipe and fittings are designed with special twist-lock connections to connect the venting system to the appliance flue outlet. A twist-lock appliance adaptor is an available option that must be used in conjunction with the Simpson Dura-Vent Direct Vent system.
3. Put a bead of Mill-Pac inside the outer section of the adapter and on the inner collar. Slip the adapter over the existing inner and outer flue collar and fasten to the outer collar only with the 3 supplied screws (drilling pilot holes will make this easier). Level the fireplace and fasten it to the framing using nails or screws through the nailing strips.
4. Assemble the desired combination of pipe and elbows to the appliance adaptor and twist-lock for a solid connection.

Notes:

- a) Twist-lock procedure: Four indentations, located on the female ends of pipes and fittings, are designed to slide straight onto the male ends of adjacent pipes and fittings, by orienting the four pipe indentations so they match and slide in to the four entry slots on the male ends, Diagram 1. Push the pipe sections completely together, then twist-lock one section clockwise approximately one-quarter turn, until the two sections are fully locked. The female locking lugs will not be visible from the outside, on the Black Pipe or fittings. They may be located by examining the inside of the female ends.



NOTE: For best results and optimum performance with each approved venting system, it is highly recommended to apply "Mill-Pac" sealant (supplied) to every inner pipe connection. Failure to do so may result in drafting or performance issues not covered under warranty.

- b) Horizontal runs of vent must be supported every three feet. Wall straps are available for this purpose.
5. Mark the wall for a 10" x 10" (3.04 m x 3.04 m) square hole. The center of the square hole should line up with the centerline of the horizontal pipe. Cut and frame the 10 inch square hole in the exterior wall where the vent will be terminated. If the wall being penetrated is constructed of non-combustible material, i.e. masonry block or concrete, a 7" (178mm) dia. (7-1/2" / 191mm dia. for flex) hole is acceptable.

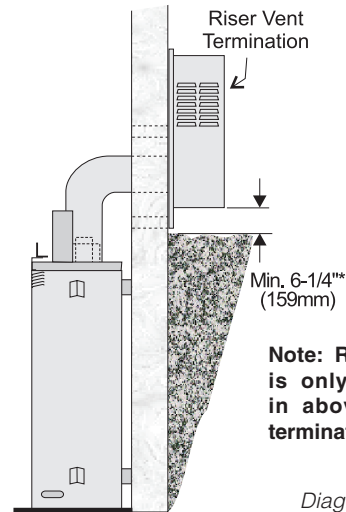
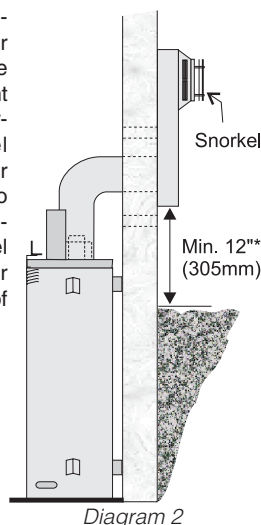
Note: With Dura-Vent, the minimum height is achieved by installing a 90° elbow directly to the rigid pipe adaptor.

Notes:

- a) The horizontal run of vent must be level, or have a 1/4 inch (6 mm) rise for every 1 foot of run towards the termination. Never allow the vent to run downward. This could cause high temperatures and may present the possibility of a fire.
- b) The location of the horizontal vent termination on an exterior wall must meet all local and national building codes, and must not be blocked or obstructed. For External Vent Terminal Locations, see Exterior Vent Termination Location.
- c) **Snorkel Terminations:**
For installations requiring a vertical rise on the exterior of the building, 14 inch (356 mm) and 36 inch (914 mm) tall Snorkel Terminations are available, as well as the standard Riser Vent. Follow the same installation procedures as used for standard Horizontal Termination. NEVER install the snorkel upside down.

Below Grade Installation

If the Snorkel Termination must be installed below grade, i.e. basement application, proper drainage must be provided to prevent water from entering the Snorkel Termination. Refer to Diagram 4. Do not attempt to enclose the Snorkel within the wall, or any other type of enclosure.



Note: Riser Vent is only for use in above grade terminations.

Diagram 3

***Diagrams 3 & 4: As specified in CGA B149 Installation Code. Local codes or regulations may require different clearances.**

- 6) The arrow on the vent cap should be pointing up. Insure that the 1-1/2" (38 mm) clearances to combustable materials are maintained (Diagram 4). Install the termination cap.

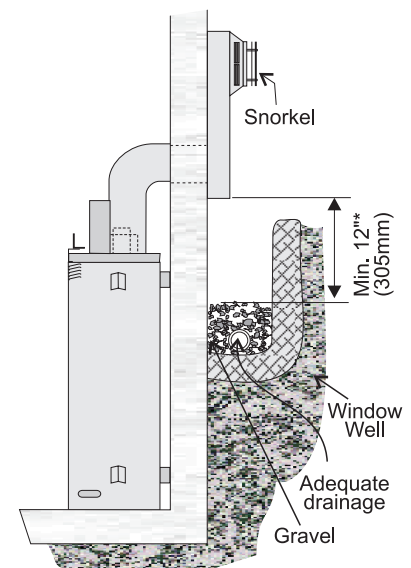


Diagram 4

NOTE: For Snorkel terminations in ABOVE grade installations, follow national or local code requirements.

installation

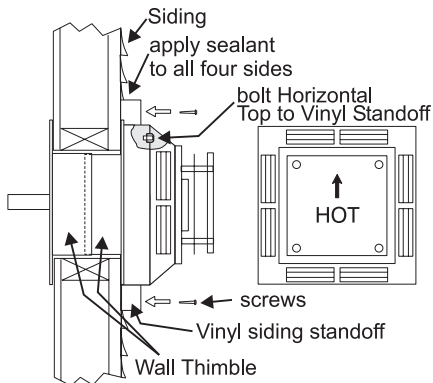


Diagram 5

The four wood screws provided should be replaced with appropriate fasteners for stucco, brick, concrete, or other types of sidings.

Note: If installing termination on a siding covered wall, a vinyl siding standoff or furring strips must be used to ensure that the termination is not recessed into the siding.

- Before connecting the horizontal run of vent pipe to the vent termination, slide the Wall Thimble over the vent pipe.
- Slide the appliance and vent assembly towards the wall carefully inserting the vent pipe into the vent cap assembly. It is important that the vent pipe extends into the vent cap sufficient distance so as to result in a minimum pipe overlap of 1-1/4 inches (32 mm). Secure the connection between the vent pipe and the vent cap by attaching the two sheet metal strips extending from the vent cap assembly into the outer wall of the vent pipe. Use the two sheet metal

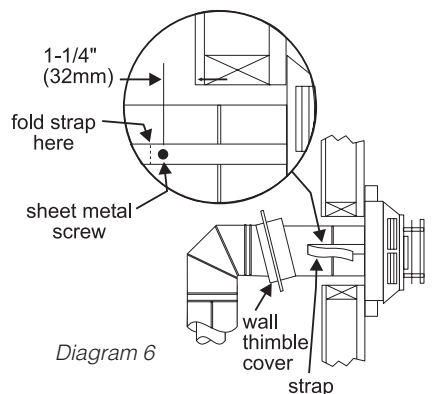


Diagram 6

screws provided to connect the strips to the pipe section. See Diagram 6.

- Install wall thimble in the center of the 10" square and attach with wood screws

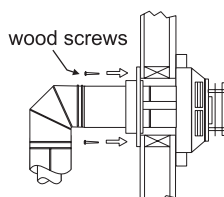


Diagram 7

Unit Installation With Vertical Termination

- Maintain the 1-1/4" (32 mm) clearances (air spaces) to combustibles when passing through ceilings, walls, roofs, enclosures, attic rafter, or other nearby combustible surfaces. Do not pack air spaces with insulation. Check for the maximum vertical rise of the venting system and the maximum horizontal offset limitations.

- Set the gas appliance in its desired location. Drop a plumb bob down from the ceiling to the position of the appliance flue exit, and mark the location *Diagram 1* where the vent will penetrate the ceiling. Drill a small hole at his point. Next, drop a plumb bob from the roof to the hole previously drilled in the ceiling, and mark the spot where the vent will penetrate the roof. Determine if ceiling

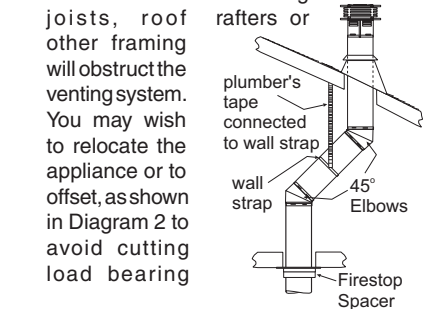
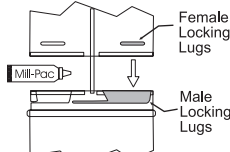


Diagram 2



NOTE: For best results and optimum performance with each approved venting system, it is highly recommended to apply "Mill-Pac" sealant (supplied) to every inner pipe connection. Failure to do so may result in drafting or performance issues not covered under warranty.

- A Firestop spacer must be installed in the floor or ceiling of every level. To install the Firestop spacer in a flat ceiling or wall, cut a 10 inch square hole. Frame the hole as

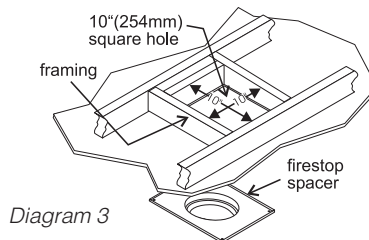


Diagram 3

- shown in Diagram 3 and install the firestop.
- Assemble the desired lengths of pipe and elbows. Ensure that all pipes and elbow connections are in the fully twist-locked position and sealed.
- Cut a hole in the roof centered on the small drilled hole placed in the roof in Step 2. The hole should be of sufficient size to meet the minimum requirements for clearance to combustibles of 1-1/2" (38 mm). Slip the flashing under the shingles (shingles should

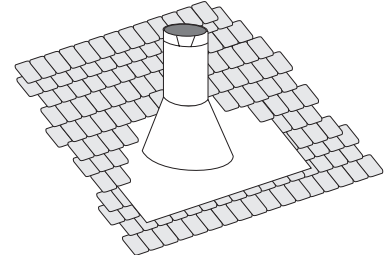


Diagram 4: The upper half of the flashing is installed under the roofing material and not nailed down until the chimney is installed. This allows for small adjustments.

- overlap half the flashing) as per Diagram 4.
- Continue to assemble pipe lengths.

Note: If an offset is necessary in the attic to avoid obstructions, it is important to support the vent pipe every 3 feet (0.91m), to avoid excessive stress on the elbows, and possible separation. Wall straps are available for this purpose (Diagram 2).

Galvanized pipe is desirable above the roof line due to its higher corrosion resistance. Continue to add pipe sections through the flashing until the height of the vent cap meets the minimum height requirements specified in Diagram 5 or local codes. Note that for steep roof pitches, the vertical height must be increased.

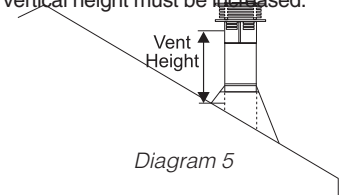


Diagram 5

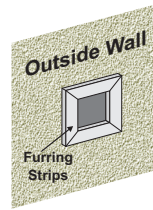
| Roof Pitch | Minimum Vent Height | |
|---------------------|---------------------|--------|
| | Feet | Meters |
| flat to 7/12 | 2 | 0.61 |
| over 7/12 to 8/12 | 2 | 0.61 |
| over 8/12 to 9/12 | 2 | 0.61 |
| over 9/12 to 10/12 | 2.5 | 0.76 |
| over 10/12 to 11/12 | 3.25 | 0.99 |
| over 11/12 to 12/12 | 4 | 1.22 |
| over 12/12 to 14/12 | 5 | 1.52 |
| over 14/12 to 16/12 | 6 | 1.83 |
| over 16/12 to 18/12 | 7 | 2.13 |
| over 18/12 to 20/12 | 7.5 | 2.29 |
| over 20/12 to 21/12 | 8 | 2.44 |

A poor draft, or down drafting can result from high wind conditions near big trees or adjoining roof lines, in these cases, increasing the vent height may solve the problem.

7. Ensure vent is vertical and secure the base of the flashing to the roof with roofing nails, slide storm collar over the pipe section and seal with a mastic.
8. Install the vertical termination cap by twist-locking it.

Note: Any closets or storage spaces, which the vent passes through must be enclosed.

Note: To make the installation more aesthetically pleasing, we recommend framing out a square to mount the terminal to.



Note: If installing termination on a siding covered wall, furring strips must be used to ensure that the termination is not recessed into the siding.

2. Level the fireplace and fasten it to the framing using nails or screws through the nailing strips.
3. Assemble the vent assembly by applying Mill Pac to the 4" (100mm) inner collar of the termination and slipping the 4" (100mm) liner over it at least 1-3/8" (35mm). Fasten with the 3 screws (drilling pilot holes will make this easier). Apply Mill Pac to the 6-7/8" (175mm) flex pipe and slip it over the 6-7/8" outer collar of the vent terminal at least 1-3/8" (35mm) and fasten with the 3 screws.

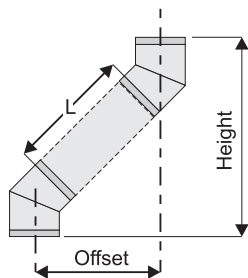
NOTE: Horizontal sections must be supported at intervals not exceeding 3 feet (0.9 meter). (Flame picture and performance will be affected by sags in the liner).

4. Separate the 2 halves of the wall thimble and securely fasten the one with the tabs to the outside wall making sure that the tabs are on top and bottom. Fasten the other thimble half to the inside wall. The thimble halves slip inside each other and can be adjusted for 2 x 4 or 2 x 6 walls. The liners must slip over the collars a minimum of 1-3/8" (35 mm).
5. Slip the assembled liner and termination assembly through the thimble making sure the termination cap faces up (there are markings on the cap that show which way is up). This will position the termination cap with proper down slope for draining water. Fasten the cap to the outer wall with the 4 supplied screws.
6. Pull the centre 4" (100mm) liner and outer 6-7/8" (175mm) liner out enough to slip over the flue collars of the fireplace. (You may wish to cut the liner shorter to make it more workable.) Do not bend liner more than 90°.
7. Apply Mill Pac over the fireplace inner collar and slip the 4" (100mm) liner down over it and attach with 3 supplied screws.
8. Do the same with the 6-7/8" (175mm) liner.
9. Apply a bead of silicone between the thimble and termination and around the outer edge of the terminal at the wall in order to keep the water out.

IMPORTANT: Do not locate termination hood where excessive snow or ice buildup may occur. Be sure to check vent termination area after snow falls, and clear to prevent accidental blockage of venting system. When using snow blowers, make sure snow is not directed towards vent termination area.

Offset Chart

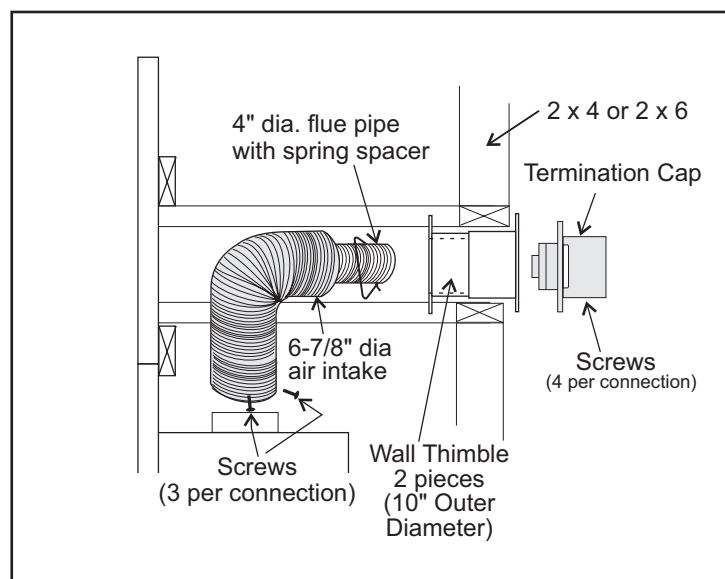
| GS 6" (152mm) Nominal Diameter ID | | | | | |
|-----------------------------------|-----|-----------------|------|--------|------|
| Offset | | Pipe Length (L) | | Height | |
| inches | mm | inches | mm | inches | mm |
| 4 3/4 | 121 | 0 | 0 | 13 1/4 | 337 |
| 9 | 229 | 6 | 152 | 17 1/2 | 445 |
| 11 1/4 | 286 | 9 | 229 | 19 1/2 | 495 |
| 13 1/4 | 337 | 12 | 305 | 21 3/4 | 552 |
| 21 3/4 | 552 | 24 | 610 | 30 1/4 | 768 |
| 30 1/4 | 768 | 36 | 914 | 39 | 991 |
| 38 | 965 | 48 | 1219 | 47 | 1194 |



Direct Vent System (Flex) Installation Procedures

1. Locate the unit in the framing, rough in the gas (preferably on the right side of the unit) and the electrical (Junction block is on the left side) on the left. Locate the centerline of the termination and mark wall accordingly. Cut a 10" (254mm) hole in the wall (inside dimension).

Note: A 1-1/2" (38mm) clearance around the liner must be maintained except that only a 1" (25mm) clearance is needed at the termination end. We recommend framing a 10" (254mm) x 10" (254mm) (inside dimensions) hole to give structural rigidity for mounting the termination.



installation

Vertical Termination 4' x 6-7/8' Venting - Vertical Flex Vent Kit (Part # 946-755)

- Maintain the 1-1/2" (38 mm) clearance (air space) to combustibles when passing through ceilings, walls, floors, enclosures, attic rafters or other nearby combustibles. Do not pack air spaces with insulation. Check Venting sections for the maximum vertical rise of the venting system and the maximum horizontal offset limitations. Ensure that you maintain clearances around enclosures, walls, below or above floors, floor joists, etc. Each appliance has different clearance requirements (top,sides,bottom). See specific appliance manual for details.
- Set the appliance in its desired position. Drop a plumb bob down from the ceiling/floor joist to the position of the appliance flue exit and mark the location where the vent will penetrate the ceiling. Drill a small hole at this point. Next drop a plumb bob from the roof to the hole previously drilled at the ceiling level and mark the spot where the vent will penetrate the roof.
- Cut a hole in the roof centered on the small hole placed in the roof in the previous steps. The hole should be a minimum of 10-1/4 (260 mm) inches. The hole may be round and or square.
- Slip the flashing under the shingles and line up flashing so it is centered to the hole (shingles should overlap half of the flashing) as per Diagram 1.

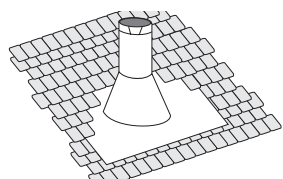


Diagram 1: The upper half of the flashing is installed under the roofing material and not nailed down until the chimney is installed. This allows for small adjustments.

Diagram 1

- A ceiling firestop/firestop spacer must be installed when passing through each floor or ceiling level. To install the ceiling firestop/firestop spacer in a flat ceiling or floor joist cut a 10- 1/4 (260 mm) inch square hole. Frame the hole as show in Diagram 1 and install the ceiling firestop. Slide the top attic insulation spacer onto the top of the attic insulation shield/firestop - See Diagram 1a. Secure with 4 screws/nails. If more than one is required, these can be purchased separately.

Note: The ceiling firestop/firestop spacer may be cut down to size if this shield is too high for the application.

Firestop spacer to prevent debris from falling into the ceiling firestop

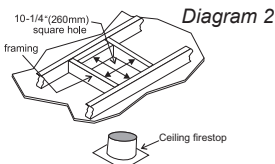


Diagram 2

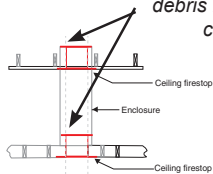


Diagram 2a

- Determine the overall height of the chimney from the top of the appliance to the underside of the flashing. If required cut the flexible inner and outer pipe to the desired length up to a maximum of 20 feet (6.1 m).
- Put a bead of Mill-Pac around the 4 inch (102 mm) collar on the appliance and slide the inner flex pipe over the inner collar of the appliance and secure with a minimum of 3 screws.
- Install 4 inch spacers around 4 inch (102 mm) flex.
- Repeat Step 7 to install the outer pipe to the outer collar of the appliance

Note: If an offset is necessary in the attic or floor joists it is important to support the vent pipe every 3 feet (0.91 m) to avoid excessive stress and sagging of the vent pipe. Wall straps are provided (3 in total) for this purpose. All round/plumbers strapping may also be used if further supports are required.

- Attach the rigid pipe section to the adaptor by using Mill-Pac on the inner/ outer pipe. Use 3 screws to secure outer pipe.

- Secure inner flex pipe to pipe adaptor by using Mill-Pac over the adaptor. Slide the inner pipe over adaptor and secure with 3 screws.
- Repeat Step 11 to secure outer flex.
- Slide the finished length up towards the flashing ensuring the length of pipe is a minimum of 2 feet (0,61 m) measured from the top of the roof. Level the chimney and secure using the roof support provided with kit to bottom side of the roof as shown using a minimum of 2 screws per side-see Diagram 3b. See Diagram 4 for roof pitch and height requirements. See Diagram 3a for securing method if 2 ft. (0,61 m) is insufficient and additional lengths are required, this may be purchased separately. See Simpson Duravent components list in the instruction manual for part numbers.

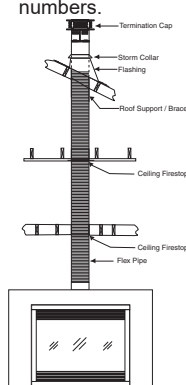


Diagram 3

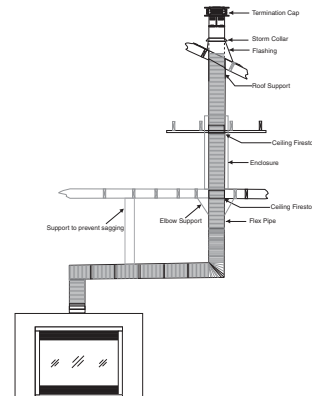


Diagram 3a

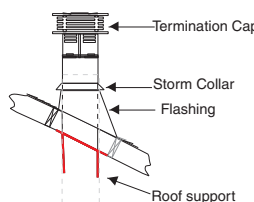


Diagram 3b

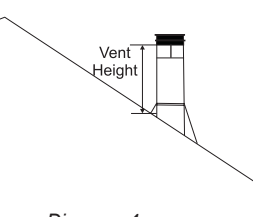


Diagram 4

| Roof Pitch | Minimum Vent Height | |
|---------------------|---------------------|--------|
| | Feet | Meters |
| flat to 7/12 | 2 | 0.61 |
| over 7/12 to 8/12 | 2 | 0.61 |
| over 8/12 to 9/12 | 2 | 0.61 |
| over 9/12 to 10/12 | 2.5 | 0.76 |
| over 10/12 to 11/12 | 3.25 | 0.99 |
| over 11/12 to 12/12 | 4 | 1.22 |
| over 12/12 to 14/12 | 5 | 1.52 |
| over 14/12 to 16/12 | 6 | 1.83 |
| over 16/12 to 18/12 | 7 | 2.13 |
| over 18/12 to 20/12 | 7.5 | 2.29 |
| over 20/12 to 21/12 | 8 | 2.44 |

- Put a bead of caulking on the exterior between the outer pipe and flashing to prevent water from penetrating the chimney system.
- Slide storm collar over pipe length until it reaches the flashing.
- Install termination cap by twist locking it.
- Secure the flashing to the roof using screws

Note: Any closets or storage spaces which the vent passes through must be enclosed.

Vertical Flue Extension Kit (Part #946-756)

20 foot (6.1 m) Flex pipe Extension

(Used in conjunction with the 946-755 Vertical Flex kit and 948-367/P flex to flex adaptor).

1. Stretch out both inner 4" (102 mm) and outer 6 7/8" (175 mm) pipe up to a maximum of 20 feet.

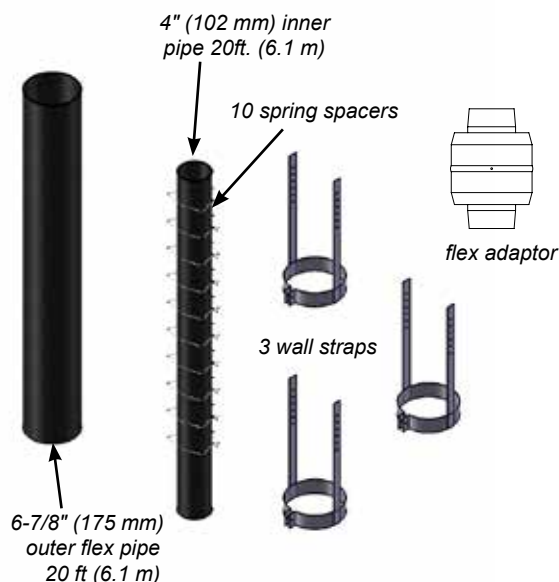
Note : The inner and outer pipes may be cut if only a short length is required.

2. Install spring spacers around 4" (102 mm) inner pipe as shown. Slide outer flex pipe over and all the way down the 4" pipe.
3. Apply a bead of Mill Pac around the perimeter of the 4" (102 mm) inner collar of the flex adaptor and slip the 4" (102 mm) inner flex pipe from the Vertical termination kit over the flex adaptor ensuring that the inner flex pipe overlaps the collar by at least 1-3/8" (35 mm). Fasten with 3 screws.
4. Apply a bead of Mill Pac around the perimeter of the 6-7/8" (175 mm) outer collar of the flue adaptor and slip it over the 6-7/8" (175 mm) outer flex pipe from the vertical termination kit ensuring that the outer flex pipe overlaps the collar by at least 1-3/8" (35 mm). Fasten with the 3 screws.
5. Repeat steps to secure the other end of the flex adaptor using the flex kit.

6. See Vertical Vent installation instructions for installation of the complete vent system.

Note: If an offset is necessary in the attic or floor joists it is important to support the vent pipe every 3 feet (0.91 m) to avoid excessive stress and sagging of the vent pipe. Wall straps are provided (3 in total) for this purpose.

All round/plumbers strapping may also be used if further supports are required.

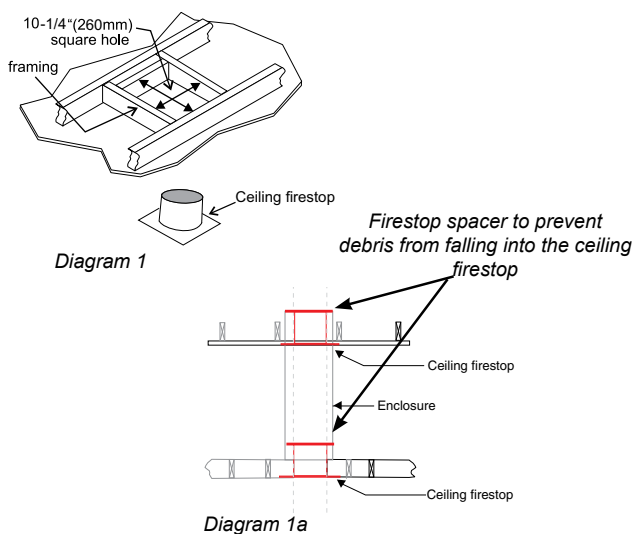


Ceiling Firestop/Firestop Spacer (part #946-757)

Used in conjunction with the 946-755 Vertical flex kit and 946-756 kit Vertical flex extension kit/Horizontal power vent kit.

A ceiling firestop/firestop spacer must be installed when passing through each floor or ceiling level. To install the ceiling firestop/firestop spacer in a flat ceiling or floor joist cut a 10- 1/4 inch square hole. Frame the hole as show in Diagram 1 and install the ceiling firestop. Slide the top attic insulation spacer onto the top of the attic insulation shield/firestop - See Diagram 1a. Secure with 4 screws/nails. If more than one is required, these can be purchased separately.

Note: The ceiling firestop/firestop spacer may be cut down to size if this shield is too high for the application.



installation

LP Conversion

for G600EC using SIT 885 NOVA Gas Valve

**THIS CONVERSION MUST BE DONE BY A QUALIFIED GAS FITTER
IF IN DOUBT DO NOT DO THIS CONVERSION !!**

Each Kit contains one LP Conversion Kit

Conversion Kit #776-969 Contains:

| Qty. | Part # | Description |
|------|---------|-----------------------------|
| 1 | 904-977 | Burner Orifice #55 |
| 1 | 904-529 | 5/32" Allen Key |
| 1 | 918-590 | Decal "Converted to LPG" |
| 1 | 908-528 | Red "LP" label |
| 1 | 910-037 | LP Injector (Pilot Orifice) |
| 1 | 911-011 | Stepper Motor |
| 1 | 920-303 | Instruction Sheet |

Installation of LP Conversion Kit:

1. Shut off the gas and electrical supply.
2. Remove the safety screen*.
3. Remove the glass door*.
4. Remove the logs, glass, and any other media*.
5. Remove the two log supports (4 screws) and the grate assembly (2 screws).

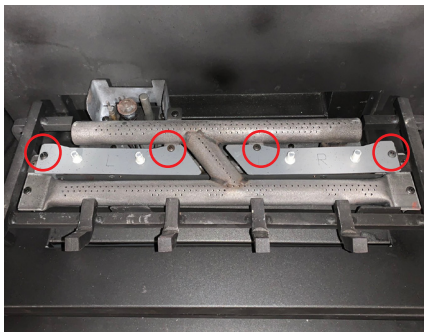


Diagram 1: Remove 6 screws.

6. Remove three screws then remove the burner assembly.

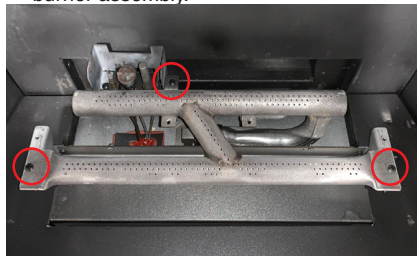
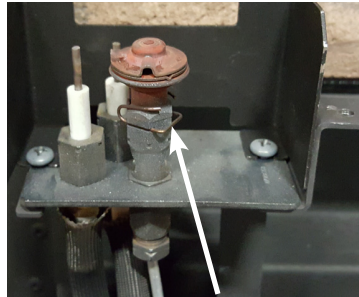
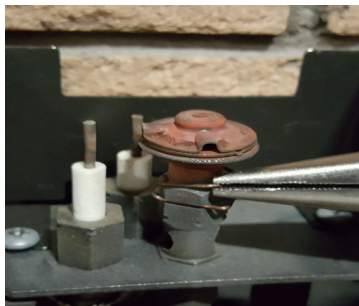


Diagram 2: Slide burner assembly to the right—then remove.

7. Remove the pilot retainer clip below the pilot cap.



Pilot retainer clip



8. Pull off the pilot cap to expose the pilot orifice.

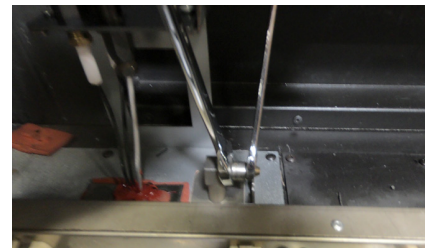


9. Unscrew the pilot orifice with the Allen key; then replace with the LPG pilot orifice, provided in the kit.



10. Re-install pilot cap and pilot retainer clip.

11. Remove burner orifice with a 3/8" wrench. Use another wrench to hold on to the elbow behind the orifice. Discard orifice.



12. Reinstall new burner orifice LPG stamped #55 and tighten.

13. Remove the bottom cover panel by rotating it up and lifting it out.



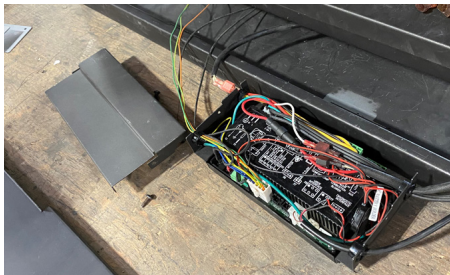
14. Pull the IFC box towards the front of the unit.



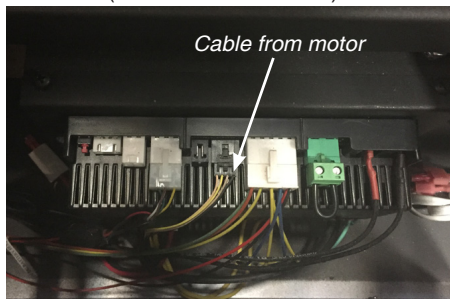
15. Rotate the front of the IFC box up and pull it out of the unit.



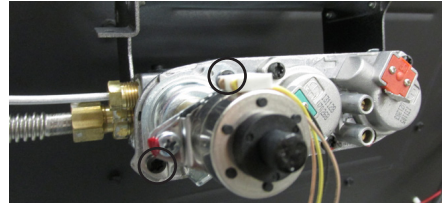
16. Remove the two screws that secure the cover plate to the base of the IFC box, then remove the cover plate.



17. Disconnect the cable coming from the pressure regulator motor at the IFC board (marked X6 on the IFC).



18. Remove regulator and discard. Install the Hi/Lo pressure regulator onto the valve with 2 screws as shown below and also reconnect new cable from pressure regulator motor disconnected in step 19.



19. Reverse steps 17-13 to reinstall IFC board. Reinstall burner assembly.
20. Adjust aeration accordingly—see manual for details.
21. Attach the label “This unit has been converted to LPG” near or on top of the serial # decal.
22. Replace yellow “NG” label with red “LPG” label.
23. Check for gas leaks.
24. Check inlet and outlet pressures.
25. Check operation of flame control.
26. Reverse steps 4-1.

Installer Notice:

These instructions must remain with the appliance.

installation

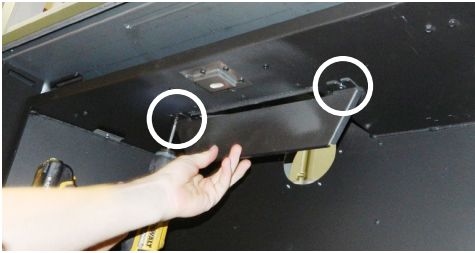
Brick Panel installation

(Part # 776-901, 776-903, 776-904, 776-905)

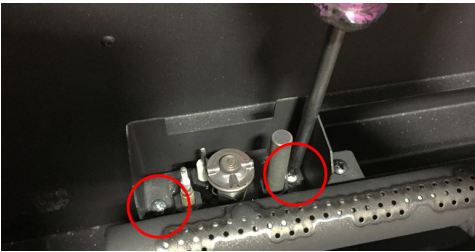
Note: Do not install the firebed grate, media, vermiculite, embers, and logs until the brick panels are installed.

- Brick panels will discolor a little during normal operation. This is normal and should not be considered a defect.

1. Remove screen and glass door, if installed.
2. Loosen two screws in locations shown below. Slide upper baffle towards the back wall and then remove from unit.



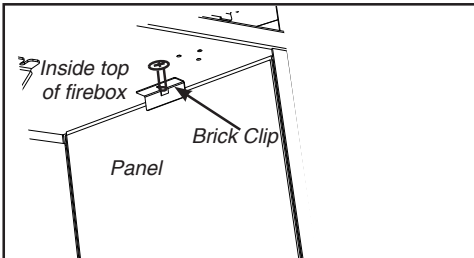
3. Loosen 2 screws on pilot assembly in locations shown below. Slide pilot shield towards the back of the unit and remove from unit.



4. Install back panel carefully. Tilt panel forward from the top and rest the bottom of the panel on the firebox floor. Tip top back until it also rests on the firebox back wall.



5. Loosen screws and remove brick clip.



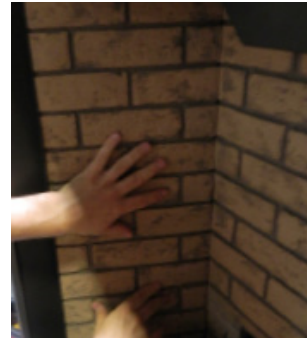
6. Install the right side panel—the angled corner should be located facing the bottom rear of the fireplace when installing.

NOTE: Shorter row of bricks should be positioned at the bottom of back and side panels.



7. With panel in position, secure it with the brick clip removed in step 5 and retighten screw.

8. Repeat Steps 5-7 on the left side.



9. Slide the bottom panel carefully underneath the burner and push to the back until it contacts the back panel.



10. Reinstall the upper baffle.

11. Reinstall the pilot shield removed in step 3.

Enamel/Steel Panel installation (Steel Panels - Part # 776-907, Enamel Panels - Part # 776-908)

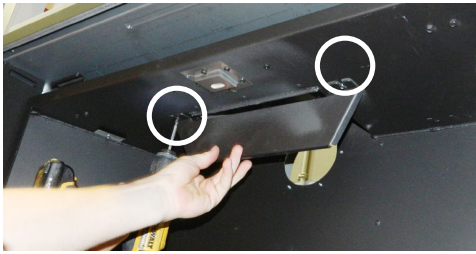
For Black Enamel Panels:

- Black enamel panels must be inspected for scratches and dimples prior to installation. All claims are to be recorded at this time. Claims for damage after installation will not receive consideration.
- Black enamel panels will discolor a little during normal operation. This is normal and should not be considered a defect.
- * All hand and fingerprints MUST be cleaned off with a soft cloth. Use an ammonia-based cleaner (ie. glass cleaner) to remove any fingerprints before applying heat to the unit.

Failure to do this will result in burn stains on panels which you will be unable to remove. Not protected by product warranty.

Note: Do not install the firebed grate, media, vermiculite, embers, and logs until the enamel/steel panels are installed.

1. Remove screen and glass door, if installed.
2. Loosen two screws in locations shown below. Slide upper baffle towards the back wall and then remove from unit.



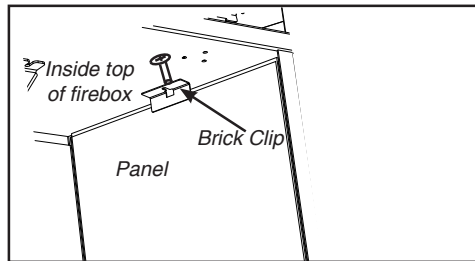
3. Loosen 2 screws on pilot assembly in locations shown below. Slide pilot shield towards the back of the unit and remove from unit.



4. Install back panel carefully. Tilt panel forward from the top and rest the bottom of the panel on the firebox floor. Tip top back until it also rests on the firebox back wall.



5. Loosen screws and remove brick clips.

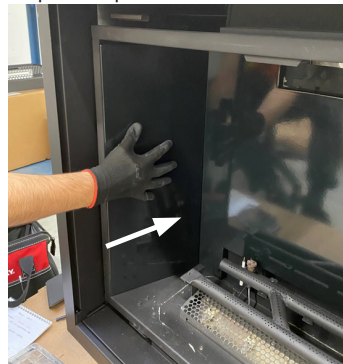


6. Install the right side panel—the angled face should be located facing the bottom rear of the fireplace when installing.



7. With panel in position, secure it with the brick clip removed in Step 5 and tighten the screw.

8. Repeat Steps 5-7 on the left side.



9. Slide the bottom panel carefully underneath the burner and push to the back until it contacts the back panel.



10. Reinstall the upper baffle.
11. Reinstall the pilot shield removed in step 3.

installation

Log Set installation

Read the instructions below carefully and refer to the diagrams. If logs are broken do not use the unit until they are replaced. Broken logs can interfere with the pilot operation.

The G600EC/G600C log sets, #776-930 for Grandview Oak, #776-932 for Grandview Birch, contain the following pieces:

| | | |
|---|-----------------------|--------------------|
| 1 | Rear Log | |
| 2 | Middle Left Log | |
| 3 | Middle Right Log | |
| 4 | Center Left Cross Log | |
| 5 | Front Bottom 'Y' Log | |
| 6 | Left Rear Log | |
| 7 | Right Cross Log | |
| 8 | Middle Front | |
| 9 | Left Log Piece | |
| 10 | Right Log Piece | |
| 11 | Left Front Log Piece | |
| 12 | Right Front Log Piece | |
| Must also purchase (#776-938), Log Grate and Ember Package, separately. The kit contains: | | Log Grate |
| | | 3/4" Ginger glass |
| | | Vermiculite |
| | | Black/White Embers |
| | | Log Support Plates |

NOTE: Panels (brick, steel, or enamel) must be installed prior to installing the log set.

1. Carefully remove the logs from the box and unwrap them. The logs are fragile, handle with care - **do not force into position when installing.**



Diagram 1-Log ID

2. Install the log grate—secure with 2 screws in locations shown below.



Diagram 2-Log Grate Install

3. Install the supplied crystals over the ember lights underneath the burner as shown. Place vermiculite and embers on top of the glass. Do not place any media on the burner.



Diagram 3-Install Glass

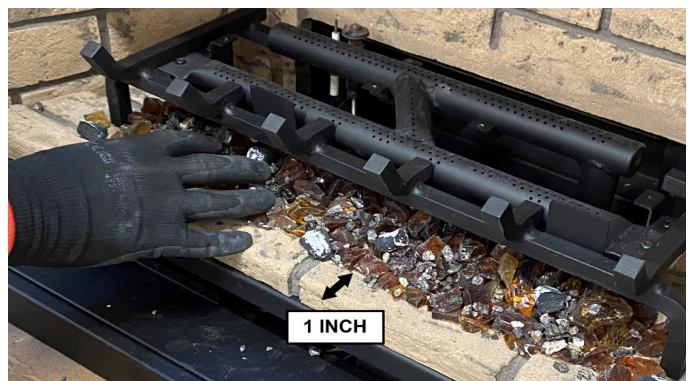


Diagram 4-Install Vermiculite + Lava
Warning: Glass crystals must be placed at least 1" away from the front edge of the unit.

4. Install 2 log support plates onto the burner with 2 screws each as shown.



Diagram 5-Install Log support plate installation

5. Place Log 1 onto the grate, behind the rear of the burner. Ensure the left cut out butts against the end of the burner tube and the right end of the log butts against the curve of the burner. Final position of the log should be pulled forward and to the right.



Diagram 6-Log 1 installation

6. Install Log 2 on left log support plate. Line up the pins on the plate with the pin hole on the log.



Diagram 7-Install Log 2

7. Install Log 3 on right log support plate. Line up the pins on the plate with the pin hole on the log.



Diagram 8-Install Log 3

8. Install Log 4 diagonally across Log 2. Rest Log 4 in the notch out on Log 2 as shown.

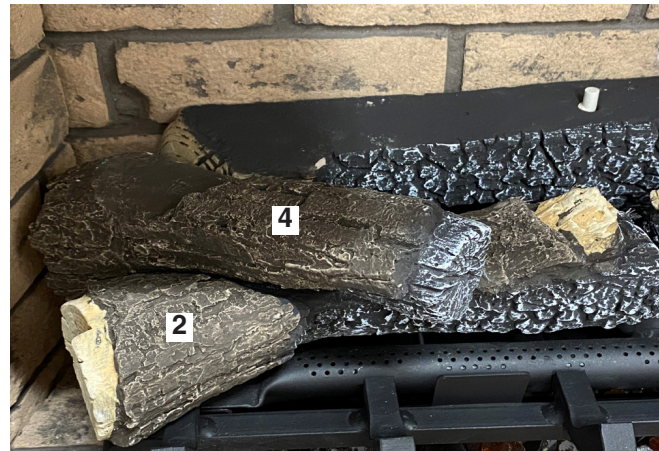


Diagram 9-Install Log 4

9. Install Log 5; one end will rest in the notch out on Log 3—the 'Y' end will rest on the 3rd prong from the right on the log grate.

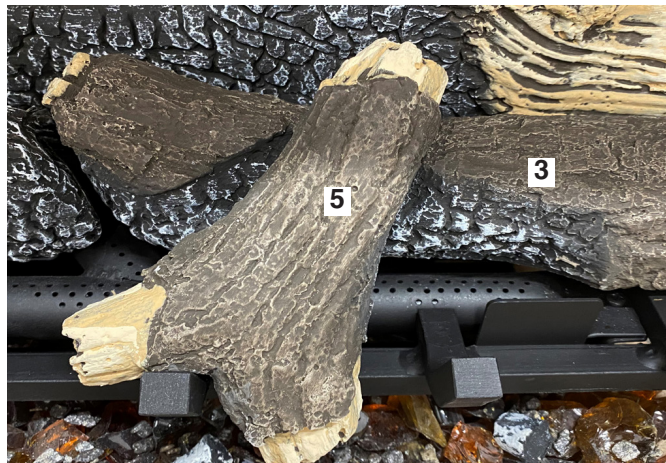


Diagram 10-Install Log 5

installation

10. Install Log 6 on the left side of Log 1. Line up the pin on Log 1 with the pin hole on Log 6—the opposite end of Log 6 will rest in the notch in Log 4.

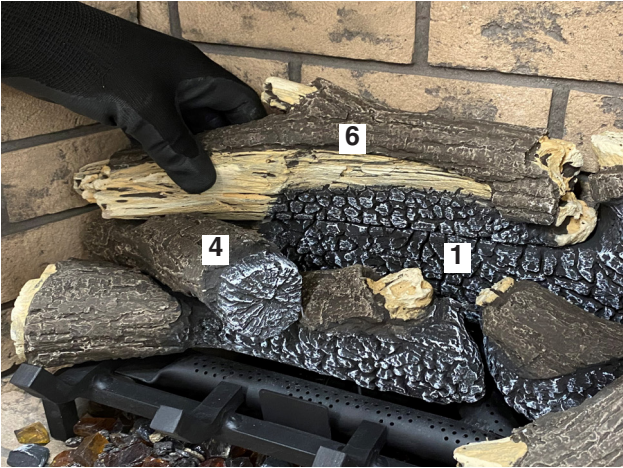


Diagram 11-Install Log 6

13. Install Log 9 to the right of Log 5. The cutout in Log 9 will rest in the 2nd prong from the right on the log grate.



Diagram 14-Install Log 9

11. Install Log 7 on the right side of Log 1 as shown. The pin hole on the underside of Log 7 should land on the pin of Log 1. The bottom of Log 7 will rest on the log grate.



Diagram 12-Install Log 7

14. Install Log 10 as shown. The flat bottom will rest on the firebox floor and the opposite end will rest on the 3rd prong from the left.



Diagram 15-Install Log 10

12. Install Log 8 at the front of the log grate. The cutouts in Log 8 should rest in the 4th + 5th prongs from the right of the log grate.



Diagram 13-Install Log 8

15. Install Log 11 to the left of the log grate on the firebox floor as shown.

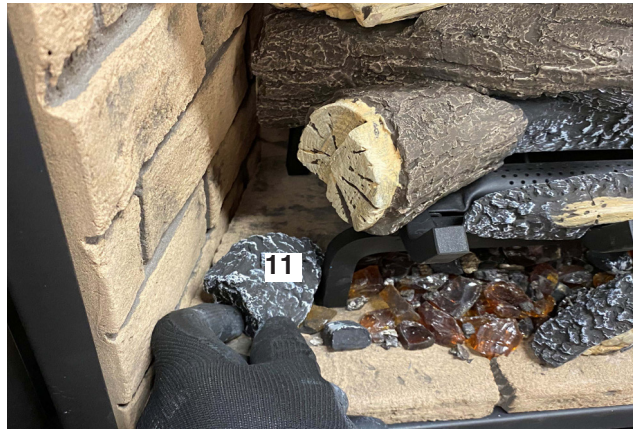


Diagram 16-Install Log 11

16. Install Log 12 on the firebox floor near Log 7, as shown.



Diagram 17-Install Log 12

17. Test fire to ensure proper light off (make sure flame flows smoothly).
If there is any flame hesitation, check that area for any blockage of the burner ports.

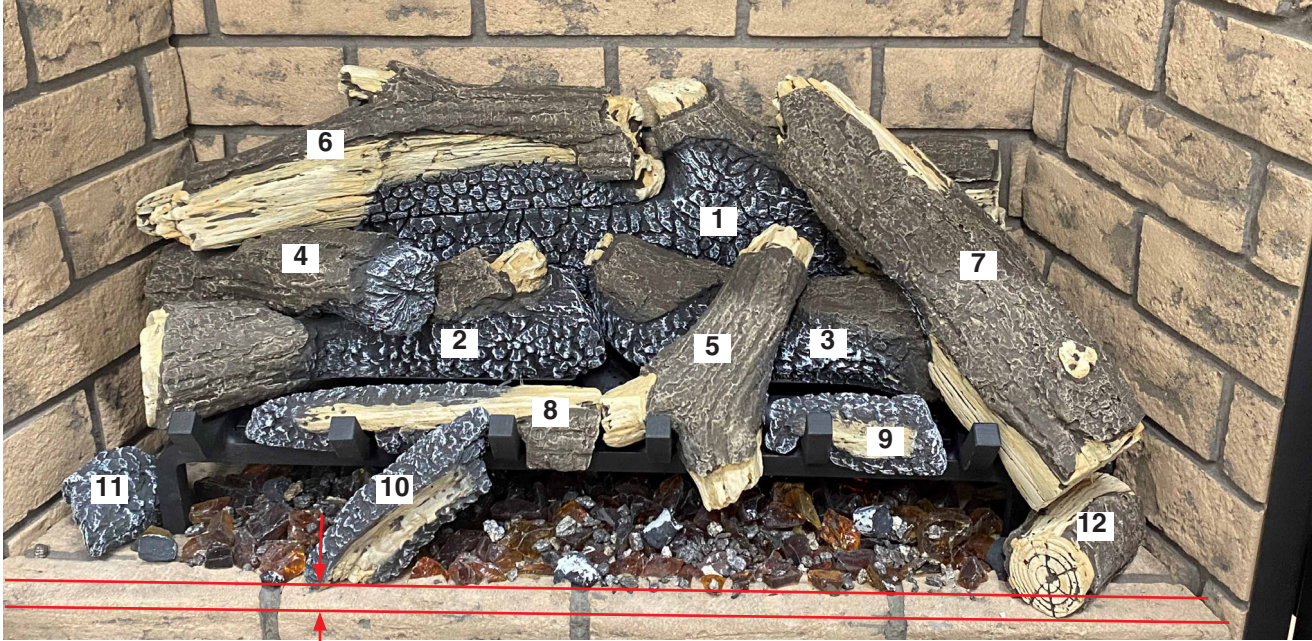


Diagram 18-Final Installation

Glass crystals must be placed at least 1" away from the front edge of the unit.



installation



Glass crystals must be placed at least 1" away from the front edge of the unit (steel panels shown).

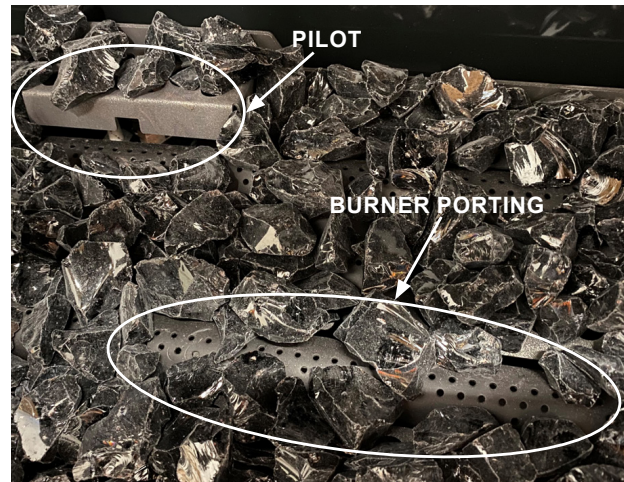
Crystal Tray installation (Part #776-937)

Note: The optional brick, steel, or enamel panels must be installed prior to the crystal tray.

1. Place the crystal tray over the burner, as shown below.

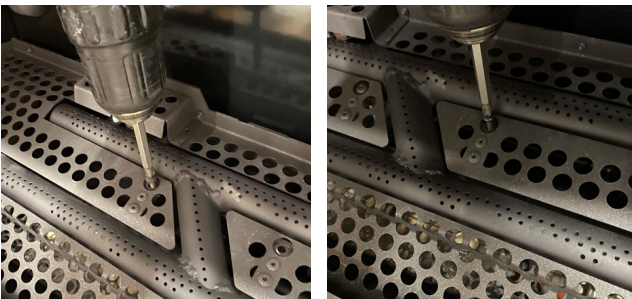


3. Add 5 lbs of crystal media and spread it across the tray in one even layer. **Important: ensure that at least 50% of the gas burner porting remains uncovered. Do not cover the pilot area.**



2. Attach the crystal tray with two screws, one on the middle left and another on the middle right of the tray, as shown below.

4. If using volcanic stones as additional media, add a maximum of 10, as shown below. **Important: Volcanic stones should not cover any of the gas burner porting or pilot areas.**

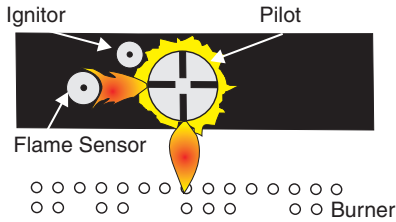


5. To remove the crystal tray, reverse the steps above.

installation

Pilot Adjustment

Periodically check the pilot flames. Correct flame pattern has two strong blue flames: 1 flowing around the flame sensor and 1 flowing across the burner (it does not have to be touching the burner).



Note: If you have an incorrect flame pattern, contact your Regency® dealer for further instructions.

Incorrect flame pattern will have small, probably yellow flames, not coming into proper contact with the rear burner or flame sensor.

High Elevation

This unit is approved in Canada for altitude to 4500 ft. (CAN/CGA-2.17-M91). For Natural Gas installations above 4500 ft. follow current CAN/CGA-B149.1.

| G600EC -NG System Data | | | |
|--|-------|--------|----------|
| For 0 to 4500 feet altitude | | | |
| Burner Inlet Orifice Sizes: #46 | | | |
| Max. Input Rating | Btu/h | 21,000 | 6.15 kWh |
| Min. Input Rating | Btu/h | 11,500 | 3.37 kWh |
| Supply Pressure min. 5.0" (127 mm) w.c. max. 14.0" (356 mm) w.c. | | | |
| Manifold Pressure (High) 3.8" (97 mm) w.c. | | | |
| Manifold Pressure (Low) 1.1" (28 mm) w.c. | | | |

| G600EC - LP System Data | | | |
|---|-------|--------|----------|
| For 0 to 4500 feet altitude | | | |
| Burner Inlet Orifice Sizes: #55 | | | |
| Max. Input Rating | Btu/h | 20,500 | 6 kWh |
| Min. Input Rating | Btu/h | 16,500 | 4.84 kWh |
| Supply Pressure min. 11.0" (279 mm) w.c. max. 14.0" (356 mm) w.c. | | | |
| Manifold Pressure (High) 10" (254 mm) w.c. | | | |
| Manifold Pressure (Low) 6.4" (163 mm) w.c. | | | |

Gas Pipe Pressure Testing

The appliance must be isolated from the gas supply piping system by closing its individual manual shut-off valve during any pressure testing of the gas supply piping system at test pressures equal to or less than 1/2 psig. (3.45 kPa). Disconnect piping from valve at pressures over 1/2 psig.

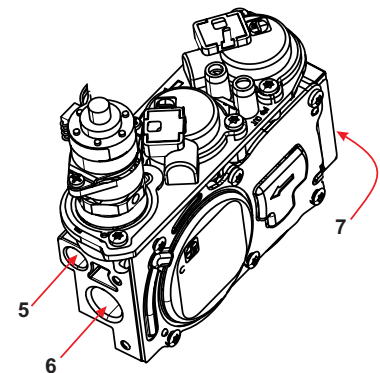
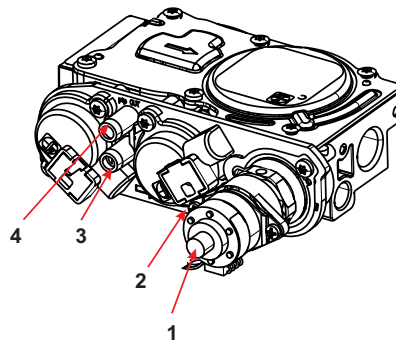
The manifold pressure is controlled by a regulator built into the gas control, and should be checked at the pressure test point.

Note: To properly check gas pressure, both inlet and manifold pressures should be checked using the valve pressure ports on the valve.

1. Make sure the valve is in the "OFF" position.
2. Loosen the "IN" and/or "OUT" pressure tap(s), turning counterclockwise with a 1/8" (3 mm) wide flat screwdriver.
3. Attach manometer to "IN" and/or "OUT" pressure tap(s) using a 5/16" (8 mm) ID hose.
4. Light the pilot and turn the valve to "ON" position.
5. The pressure check should be carried out with the unit burning and the setting should be within the limits specified on the safety label.
6. When finished reading manometer, turn off the gas valve, disconnect the hose and tighten the screw (clockwise) with a 1/8" (3 mm) flat screwdriver. **Note: Screw should be snug, but do not over tighten.**

885 S.I.T. Valve Description

1. 6 Stage flame adjustment
2. Pilot adjustment
3. Inlet Pressure Tap
4. Outlet Pressure Tap
5. Pilot Outlet
6. Main Gas Outlet
7. Main Gas Inlet



Wall Mount On / Off Switch and Battery Holder Installation Required for All installations

IMPORTANT INSTALLATION NOTE:

The Battery Holder must be placed inside the supplied (Low Voltage) junction type wall box and installed into the wall only.

DO NOT INSTALL WITHIN THE CONFINES OF THE FIREPLACE SWITCH MUST BE ACCESSIBLE

Battery Holder Installation

1. Install the low voltage junction box to the framing, at desired location within 12 ft. from fireplace.
2. Feed the 6 pin connector wiring harness through the opening at back of junction box. The wiring harness is located near the gas valve and will need to be routed to the exterior of the fireplace from either the left or right hand side prior to finishing.
3. Connect the 6 pin connector to the back of the Battery Holder.
4. Install the Battery Holder in the Low Voltage Junction box.
5. Install batteries only if 120 volt power will not be used. Batteries are only used if power is lost within the home and serve as a secondary power source. Insert the 4 AA type batteries in the battery compartment with the correct polarity.
6. Place the slider into the cover plate.
7. Put the Battery Holder switch in the "OFF" position, to allow correct lineup for slider switch.
8. Make sure the Battery Holder and cover plate words "ON" and "UP" are on the same side.
9. Align the slider with the switch on the Battery Holder and couple the switch into the slider.
10. Align the screw holes.
11. Using the two (2) screws provided secure the cover plate to the Battery Holder.
12. For coding instructions, see full details in this manual.



Low Voltage Junction Box

Proflame Battery Holder

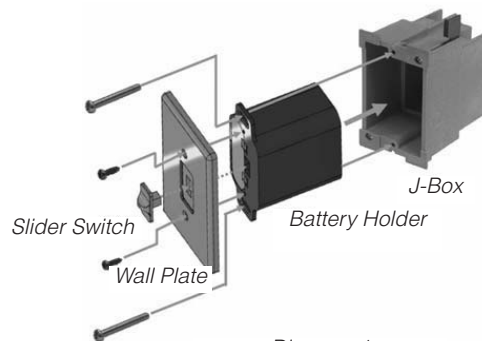
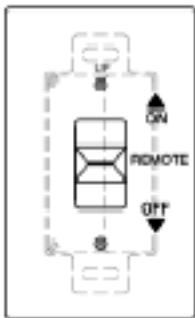
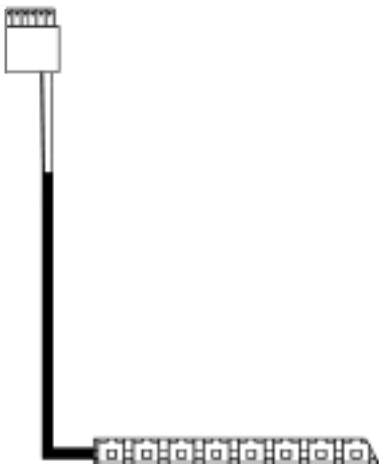


Diagram 1



installation

Aeration Adjustment

The burner aeration is factory set but may need adjusting due to either the local gas supply or altitude. Open the air shutter for a blue flame or close for a more yellow flame.

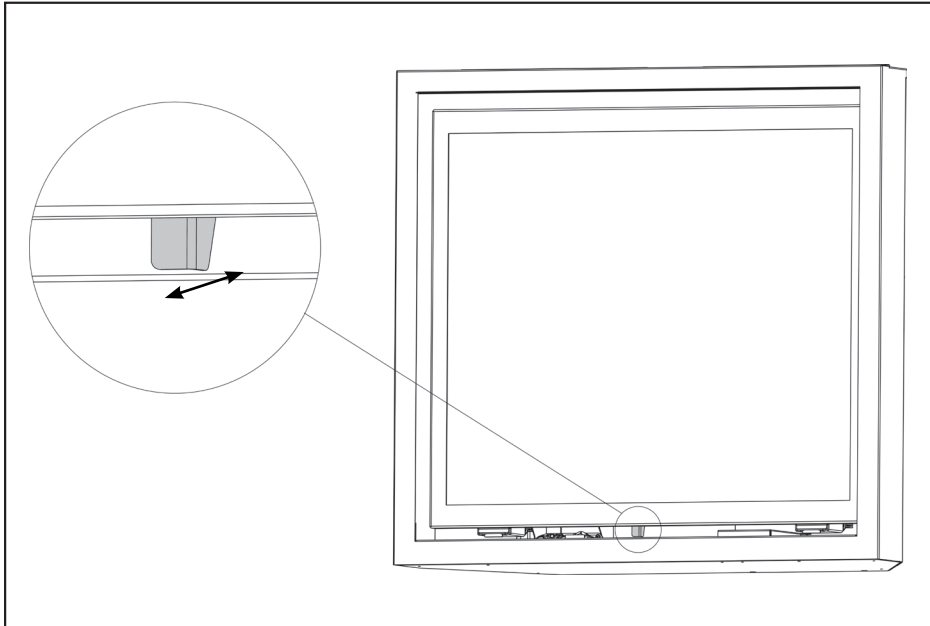
Note: Any damage due to carboning resulting from improperly setting the aeration controls is NOT covered under warranty.

Pull lever forward to open - push back to close.

Minimum Air Shutter Opening:

| | |
|----|-----------------|
| NG | 1/8" (3 mm) |
| LP | 3/16" (4.76 mm) |

CAUTION: Carbon will be produced if air shutter is tightly closed.



Air shutter lever - located in the center of the unit under the firebox

Electrical Access and Installation



The electrical access panel is on the right side of the unit (when facing the front of unit).

1. Remove panel by removing three (3) screws.
2. Remove center knockout to run cable through the access panel and install supplied clamp.
3. Attach wires from cable to supplied white receptacle and secure to gang box. Screw the receptacle cover to gang box. Reinstall panel by removing three (3) screws.
4. The 120 volt power cord supplied with appliance will need to be plugged into the receptacle only once the install is complete.

Wiring Diagram Without Thermostat

WARNING:
Electrical Grounding
Instructions

This appliance is equipped with a three pronged (grounding) plug for your protection against shock hazard and should be plugged directly into a properly grounded three-prong receptacle. Do not cut or remove the grounding prong from this plug.

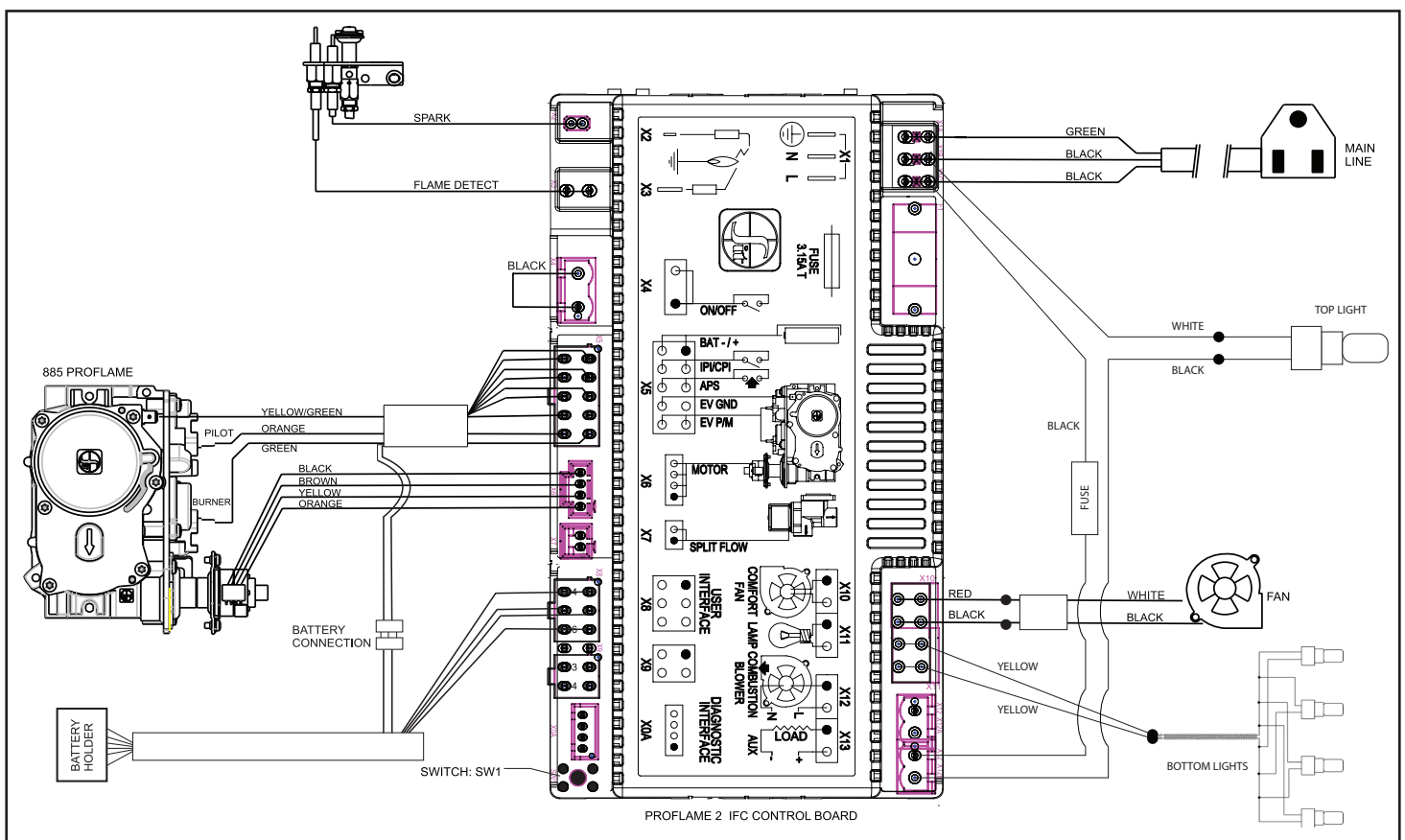
The fire on this fireplace does not require a 120V A.C. supply for operation. In case of a power failure, the remote control/thermostat will continue to operate as long as there are 4 AA batteries in the remote receiver. See note below. Both the optional fan and standard lights require 120 volt power in order to operate.

CAUTION: Ensure that the wires do not touch a hot surface and are away from sharp edges.

Caution: Label all wires prior to disconnection when servicing controls. Wiring errors can cause improper and dangerous operation. Verify proper operation after servicing.

Note:

4 AA Batteries must be installed into the back up battery compartment however for this unit to operate when power is lost. See battery back up instructions in this manual The fan will not operate during a power outage.



installation

Optional Wall Thermostat

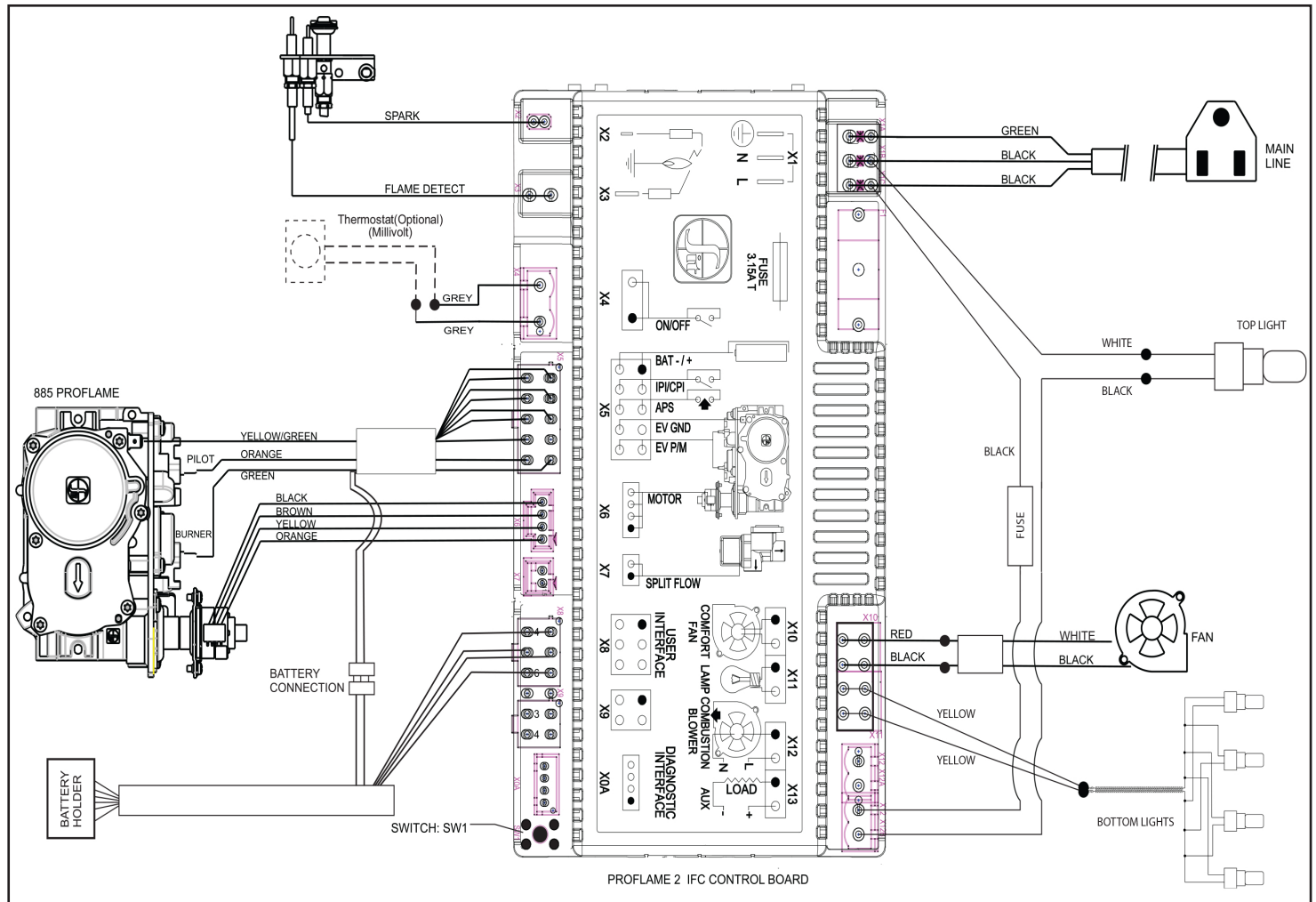
A wall thermostat may be installed if desired. Connect the wires as per the wiring diagrams.

Note: Preferable if the thermostat is installed on an interior wall.

Regency® offers an optional programmable thermostat but any 250-750 millivolt rated non-anticipator type thermostat that is CSA, ULC or UL approved may be used.

CAUTION
Do not connect the millivolt wall thermostat wires

Wiring Diagram with Optional Thermostat



Operation Using an Optional Wall Thermostat

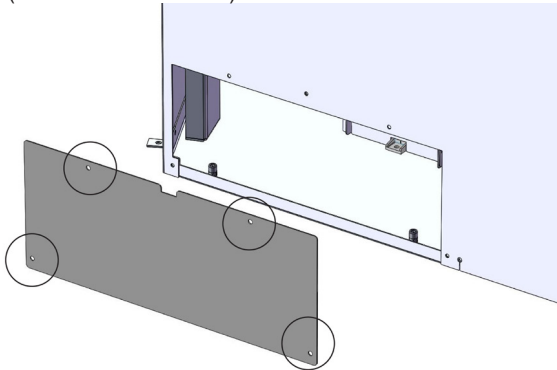
This unit ships with a full function remote control as standard equipment. This allows for basic on/off function, as well as the ability to operate as a thermostat. With the addition of an optional wall cradle (820-477-AWT) available from an authorized dealer, the remote can reside on a wall and carry out all the functions of a typical millivolt wall thermostat as well as control the fan speed and flame height. This is the recommended procedure for operating the unit with a thermostatic set point. If a millivolt wall thermostat is required for bedroom installation or as a preferred method of controlling the stove, see noted option.

Wall thermostat and remote. Set the wall thermostat to the desired set point, then place the remote transmitter in either SMART or thermostatic mode with a set point 5 degrees above the set point on the wall thermostat. The burner will fire until the set point on the wall thermostat is satisfied. The remote will remain connected and allow full control of all accessories.

Installing the Optional Fan Prior to Unit Installation Into Framing (Recommended) (Part # 761-917)

Important: 120 Volt AC power is needed for the blower. The receptacle box will be installed on the right hand side of the unit and will need to be wired by a qualified electrician prior to fan assembly being installed. The neutral (wider) slot of the polarized receptacle should be at the top. Unit must be grounded at all times. Do not cut the ground terminal off under any circumstances.

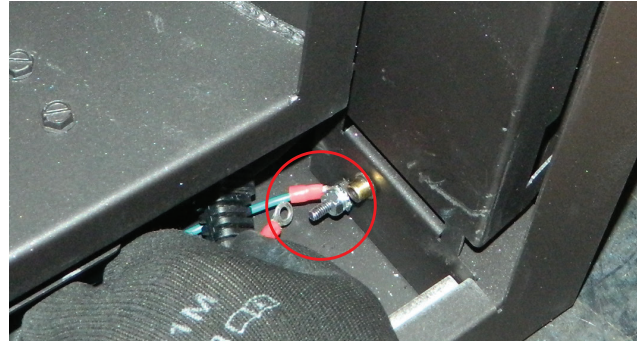
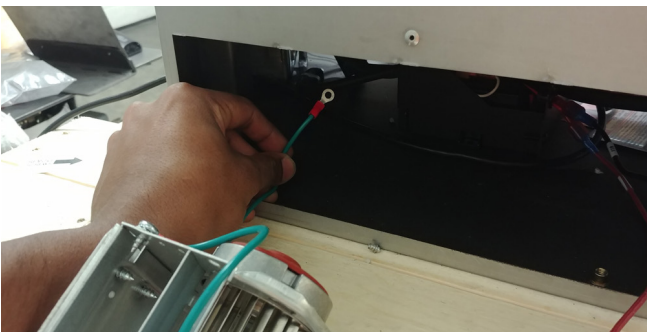
1. Shut the power off.
2. Remove the safety screen and glass door (see unit manual for details).
3. From the back of the unit - remove 4 screws from the fan access panel (locations shown below).



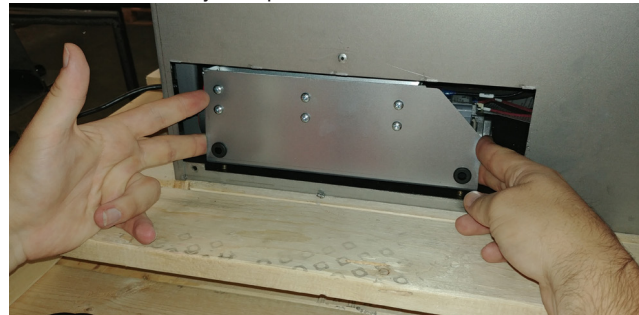
4. Connect red + black fan wires to corresponding red + black wires on the IFC box as shown.



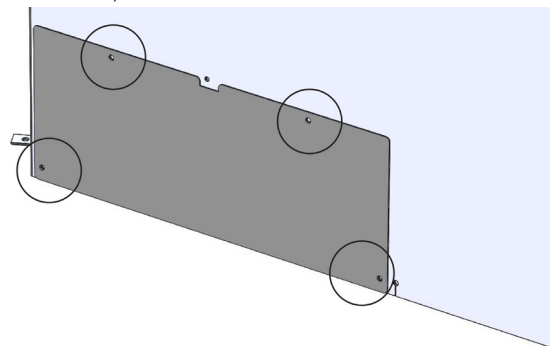
5. Connect fan ground cable to ground lug (located in lower right corner of unit). Refer to wiring diagram.



6. Install fan assembly onto pins on unit floor.



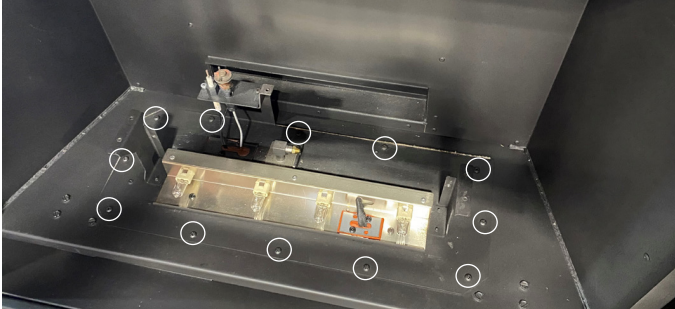
7. Secure fan access panel back onto the unit with 4 screws (locations shown below).



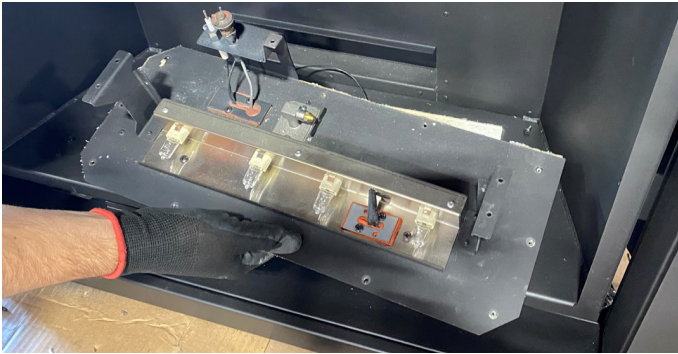
installation

Fan Install After Unit Installation

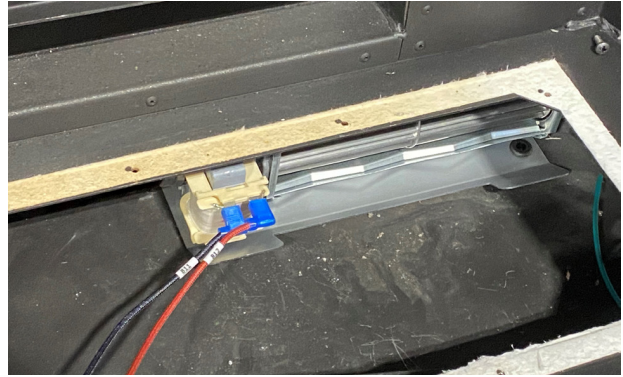
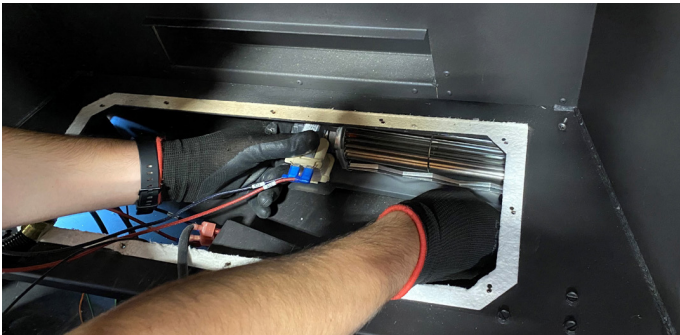
1. The fan may be installed after the unit has been installed and finished. Ensure the unit is turned off and has cooled to room temperature.
2. Shut off the power and gas to the unit.
3. Remove the screen and glass door. (See sections: Safety screen removal / Installation & glass door removal / Installation)
4. Remove any media already installed (logs, glass, etc.) and set aside.
5. Remove the log grate.
6. Remove the burner.
7. Remove the firebox floor panel (brick or enamel).
8. Remove 12 screws from the firebox floor access panel as shown.



9. Lift out valve tray and set aside.



10. Connect the fan to the IFC and ground (follow Steps 4 -6 from the previous page).
11. Push the IFC towards the front of the unit to make room for fan install. Install fan assembly onto 2 pins on unit floor located in the rear right section of the unit.



12. Move the IFC back into place and reinstall the valve tray, burner, firebox media, door and safety screen by reversing steps 9-2.

TO REMOVE THE FAN

1. Shut the power off.
2. Follow steps 2-9, but reverse steps 10-11.

Note: The bearings are lubricated for life. Do not lubricate them. Make sure you vacuum the fan area on a regular basis.

IMPORTANT:

The fans collect a lot of dust from within your home, Ensure you maintain these fan motors on a regular basis by vacuuming out the fan blades and housing using a soft brush nozzle.

Operating Instructions

1. Read and understand these instructions before operating this appliance.
2. Check to see that all wiring is correct and enclosed to prevent possible shock.
3. Check to ensure there are no gas leaks.
4. Make sure the glass in the glass door frame is properly positioned. Never operate the appliance with the glass removed.
5. Verify that the venting and cap are unobstructed.
6. The unit should never be turned off, and on again without a minimum of a 60 second wait.

First Fire

The **FIRST FIRE** in your heater is part of the paint curing process. To ensure the paint is properly cured, it is recommended you burn your fireplace for at least four (4) hours the first time.

When first operated, the unit will release an odour caused by the curing of the paint and the burning off of any oils remaining from manufacturing. Smoke detectors in the house may go off at this time. Open a few windows to ventilate the room for a couple of hours. The glass may require cleaning.

NOTE: When the glass is cold and the appliance is lit, it may cause condensation and fog the glass. This condensation is normal and will disappear in a few minutes as the glass heats up.

DO NOT ATTEMPT TO CLEAN THE GLASS WHILE IT IS STILL HOT!

DONOT BURN THE UNIT WITHOUT THE GLASS DOOR IN PLACE.

During the first few fires, a white film may develop on the glass front as part of the curing process. **The glass should be cleaned after the unit has cooled down or the film will bake on and become very difficult to remove. Use a non-abrasive cleaner and DO NOT ATTEMPT TO CLEAN THE GLASS WHILE IT IS HOT.**

Normal Operating Sounds of Gas Appliances

It is possible that you will hear some sounds from your gas appliance. This is perfectly normal due to the fact that there are various gauges and types of steel used within your appliance. Listed below are some examples. All are **normal operating sounds** and should not be considered as defects in your appliance.

Burner Tray:

The burner tray is positioned directly under the burner and is made of a different gauge material from the rest of the firebox and body. Therefore, the varying thicknesses of steel will expand and contract at slightly different rates which can cause "ticking" and "cracking" sounds. You should also be aware that as there are temperature changes within the unit these sounds will likely re-occur. Again, this is normal for steel fireboxes.

Pilot Flame:

While the pilot flame is on it can make a very slight "whisper" sound.

Gas Control Valve:

As the gas control valve turns ON and OFF, a dull clicking sound may be audible, this is normal operation of a gas regulator or valve.

Unit Body/Firebox:

Different types and thicknesses of steel will expand and contract at different rates resulting in some "cracking" and "ticking" sounds will be heard throughout the cycling process.

operating instructions

Battery Backup

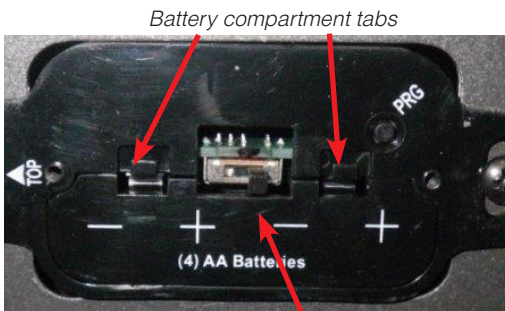
To operate the stove during a power outage or when power is not available see the following steps.



2 Phillips head screws

Diagram 1

1. Remove 2 Phillips head screws to remove cover plate. Place screws to the side. Cover plate may not be exactly as shown. See Diagram 1.



Battery compartment door

Diagram 2

2. Press down on both tabs to remove battery compartment door. See diagrams 2 and 3.



Battery door removed

Diagram 3



Diagram 4

3. Install 4 AA batteries ensuring the polarity is correct. See Diagram 4.
4. Reverse steps 3-1.

Copy of Lighting Plate Instructions

**FOR YOUR SAFETY READ BEFORE LIGHTING
POUR VOTRE SÉCURITÉ – À LIRE AVANT LA MISE EN MARCHÉ**

This appliance must be installed in accordance with local codes, if any; if none, follow the National Fuel Gas Code, ANSI Z223.1/NFPA 54, or Natural Gas and Propane Installation Codes, CSA B149.1.
Cet appareil doit être installé conformément aux codes locaux, s'il y a lieu. En l'absence de tels codes, suivre le National Fuel Gas Code, ANSI Z223.1/NFPA 54, ou les Natural Gas and Propane Installation Codes, CSA B149.1.

WARNING: If you do not follow these instructions exactly, a fire or explosion may result causing property damage, personal injury or loss of life. Improper installation, adjustment, alteration, service or maintenance can cause injury or property damage. Refer to the owner's information manual provided with this appliance. For assistance or additional information consult a qualified installer, service agency or gas supplier.

AVERTISSEMENT : Quiconque ne respecte pas scrupuleusement les instructions de la présente notice risque de déclencher un incendie ou une explosion pouvant entraîner des dégâts matériels ou des blessures pouvant être mortelles. Tout défaut d'installation, de réglage, de modification, de service ou d'entretien peut entraîner des blessures ou des dommages matériels. Reportez-vous au manuel d'utilisation fourni avec cet équipement. Pour obtenir de l'aide ou des informations complémentaires, consultez un installateur ou un service d'entretien qualifié, ou le fournisseur de gaz.

A) This appliance is equipped with an ignition device which automatically lights the pilot.
Do not try to light the pilot by hand.

B) **BEFORE OPERATING** smell all around the appliance area for gas. Be sure to smell next to the floor because some gas is heavier than air and will settle on the floor.

WHAT TO DO IF YOU SMELL GAS

- Do not try to light any appliance.
- Do not touch any electric switch, do not use any phone in your building.
- Immediately call your gas supplier from a neighbour's phone. Follow the gas supplier's instructions.
- If you cannot reach your gas supplier, call the fire department.

C) Do not use this appliance if any part has been under water. Immediately call a qualified service technician to inspect the appliance and replace any part of the control system and any gas control which has been underwater.

A) Cet appareil est muni d'un dispositif d'allumage qui allume automatiquement la veilleuse.
Ne tentez pas d'allumer la veilleuse manuellement.

B) **AVANT LA MISE EN MARCHÉ**, reniflez tout autour de l'appareil pour déceler une odeur de gaz. Reniflez au niveau du plancher, car certains gaz sont plus lourds que l'air et peuvent s'accumuler au niveau du sol.

QUE FAIRE SI VOUS SENTEZ UNE ODEUR DE GAZ :

- Ne tentez pas d'allumer l'appareil
- Ne touchez à aucun interrupteur; n'utilisez pas de téléphones se trouvant dans le bâtiment.
- Appelez immédiatement votre fournisseur de gaz depuis un téléphone extérieur. Suivez les instructions du fournisseur.
- Si vous ne pouvez pas rejoindre le fournisseur, appelez le service incendie.

C) N'utilisez pas cet appareil s'il a été plongé dans l'eau, même partiellement. Faites inspecter l'appareil par un technicien qualifié et remplacez tout élément du système de contrôle ou de commande qui a été plongé dans l'eau.

CAUTION: Hot while in operation. Do not touch. Severe burns may result. Due to high surface temperatures keep children, clothing and furniture, gasoline and other liquids having flammable vapors away. Keep burner and control compartment clean. See installation and operating instructions accompanying appliance.

ATTENTION : Surfaces chaudes lorsque l'appareil est en marche. Ne pas toucher. Risque de brûlures graves. En raison des températures élevées, les enfants, les vêtements et le mobilier, le carburant et tout autre liquide aux vapeurs inflammables doivent être tenus éloignés de l'appareil. Nettoyer régulièrement le brûleur et le compartiment des commandes. Voir les signes d'installation et d'utilisation fournies avec l'appareil.

LIGHTING INSTRUCTIONS / CONSIGNES D'ALLUMAGE

1) Ensure the Main switch is in the ON position and/or the wall mounted battery holder (if equipped) is in the <REMOTE> position.

2) Press and release the ON/OFF button on the remote handheld transmitter. An audible beep should be heard from the receiver. If not using the remote, the unit can also be turned on by sliding the battery holder switch to the <ON> position (if equipped).

3) After approximately 4 seconds the spark ignition system will spark for 60 seconds to light the main burner.

4) The unit will turn on.

Note: The first attempt to ignition will last approximately 60 seconds. If there is no flame ignition (rectification) the board will stop sparking for approximately 35 seconds. After this wait time, the board will start a second try for ignition by sparking for approximately 60 seconds. If there is still no positive ignition after the second attempt the board will go into lock out.

The system will need to be reset as follows (after going into lock out mode):

- a) Wait 5 minutes - turn the system off by pressing the ON/OFF button on the remote.
- b) After approximately 2 seconds press the ON/OFF button again.
- c) Unit will repeat step 2.

1) S'assurer que le commutateur principal est en position ON et/ou que le bloc-piles mural (le cas échéant) est en position <REMOTE>.

2) Appuyer sur la touche ON/OFF de la télécommande puis relâcher. Un bip sonore retentira depuis le récepteur. Si vous n'utilisez pas la télécommande, l'appareil peut également être allumé en faisant glisser le commutateur du bloc-piles sur la position <ON> (le cas échéant).

3) Après environ 4 secondes, le système d'allumage produira une étincelle pendant 60 secondes pour allumer le brûleur principal.

4) L'appareil s'allumera.

Remarque : Au premier allumage, le système tente d'allumer les flammes pendant 60 secondes. Si l'essai est infructueux, le système fera une pause de 35 secondes. C'est ce qu'on appelle l'étape de rectification. Ce délai écoulé, le système tente à nouveau d'allumer les flammes en produisant des étincelles pendant 60 secondes. Si les flammes ne s'allument toujours pas, le système se met en mode verrouillage.

Il faut alors le réinitialiser en suivant les étapes ci-dessous (pour le déverrouiller) :

- a) Attendre 5 minutes et éteindre l'appareil en appuyant sur la touche ON/OFF de la télécommande.
- b) Attendre 2 secondes et appuyer encore une fois sur la touche ON/OFF.
- c) L'appareil répètera l'étape 2.

TO TURN OFF GAS APPLIANCE / POUR ÉTEINDRE UN APPAREIL AU GAZ

1) Press the ON/OFF button on the remote.

2) If service is to be performed—you must disconnect power and shut off gas to the unit.

1) Appuyer sur la touche ON/OFF de la télécommande.

2) Lors de l'entretien de l'appareil, vous devez débrancher l'alimentation électrique et couper le gaz alimentant l'appareil.

DO NOT REMOVE THIS INSTRUCTION PLATE

NE PAS ENLEVER CETTE ÉTIQUETTE D'INSTRUCTIONS

920-273b

maintenance

Maintenance Instructions

1. Always turn off the gas valve before cleaning. For relighting, refer to lighting instructions. Keep the burner and control compartment clean by brushing and vacuuming at least once a year. When cleaning the logs, use a soft clean paint brush as the logs are fragile and easily damaged.
2. Clean appliance and door with a damp cloth (never when unit is hot). Never use an abrasive cleaner. The glass should be cleaned with a gas fireplace glass cleaner. The glass should be cleaned when it starts looking cloudy.
3. The heater is finished in a heat resistant paint and should only be refinished with heat resistant paint. Regency® uses StoveBright Paint - Metallic Black #6309.
4. Make a periodic check of burner for proper position and condition. Visually check the flame of the burner periodically, making sure the flames are steady; not lifting or floating. If there is a problem, call a qualified service person.
5. The appliance and venting system must be inspected before use, and at least annually, by a qualified field service person, to ensure that the flow of combustion and ventilation air is not obstructed.

Note: Never operate the appliance without the glass properly secured in place.

6. Do not use this appliance if any part has been under water. Immediately call a qualified service technician to inspect the appliance and to replace any part of the control system and any gas control which has been under water.
7. In the event this appliance has been serviced check that the vent-air system has been properly resealed & reinstalled in accordance with the manufacturer's instructions.
8. Verify operation after servicing.

General Vent Maintenance

Conduct an inspection of the venting system semi-annually. Recommended areas to inspect as follows:

1. Check the Venting System for corrosion in areas that are exposed to the elements. These will appear as rust spots or streaks, and in extreme cases, holes. These components should be replaced immediately.
2. Remove the Cap, and shine a flashlight down the Vent. Remove any bird nests, or other foreign material.

3. Check for evidences of excessive condensation, such as water droplets forming in the inner liner, and subsequently dripping out the joints. Continuous condensation can cause corrosion of caps, pipe, and fittings. It may be caused by having excessive lateral runs, too many elbows, and exterior portions of the system being exposed to cold weather.
4. Inspect joints, to verify that no pipe sections or fittings have been disturbed, and consequently loosened. Also check mechanical supports such as Wall Straps, or plumbers' tape for rigidity.

Log Replacement

The unit should never be used with broken logs. Turn off the gas valve and allow the unit to cool before opening door and carefully remove the logs. (The pilot light generates enough heat to burn someone.) If for any reason a log should need replacement, you must use the proper replacement log. The position of these logs must be as shown in the Diagrams under Log Installation.

Note: Improper positioning of logs may create carbon build-up and will severely alter the unit's performance which is not covered under warranty.

Glass Gasket

If the glass gasket requires replacement use a tadpole glass gasket (Part # 936-157).

Door Glass

Your Regency® fireplace is supplied with high temperature 5mm-Ceramic glass. If your glass requires cleaning, we recommend using an approved glass cleaner available at all authorized dealers. Do not use abrasive materials.

CAUTION & WARNINGS:

- * Do not clean when the glass is hot.
- * The use of substitute glass will void all product warranties.
- * Care must be taken to avoid breakage of the glass.
- * Do not strike or abuse the glass.
- * Do not operate this fireplace without the glass front or with a cracked or broken glass front.
- * Wear gloves when removing damaged or broken glass.
- * Replacement of the glass panels should be done by a licensed or qualified service person.

Glass Replacement

In the event that you break your glass by impact, purchase your replacement from an authorized Regency dealer only. Replacement glass (Part #940-506/P) is shipped already installed into the door frame. Reinstall as per Glass Door Installation in the "Glass Door Removal" section.

Light Bulb Replacement

1. Remove screen, glass door, logs and any other media, log grate, and lower panel (if installed).
2. Remove two (2) screws from light assembly cover in the locations shown below.



3. Lift up and slide light assembly cover forward to remove.



4. Install or replace bulbs as required.

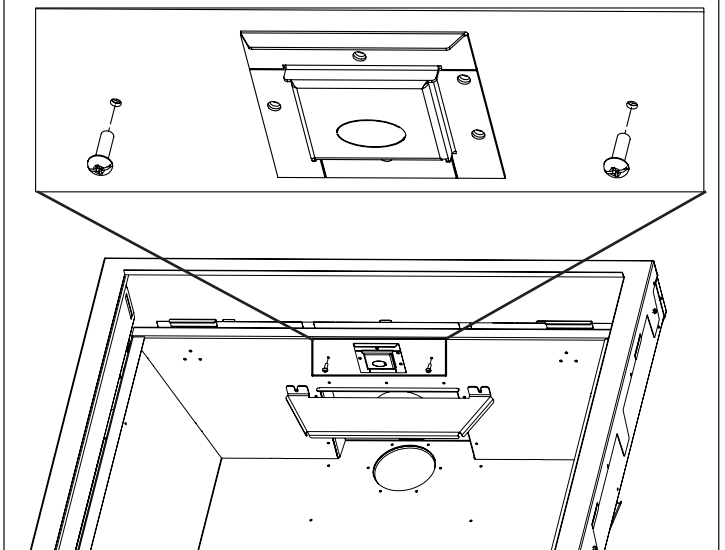
NOTE: Do not touch bulbs with bare hands, use gloves or a tissue when handling bulbs. Part # of each bottom bulb is 911-297. There are 4 per unit.



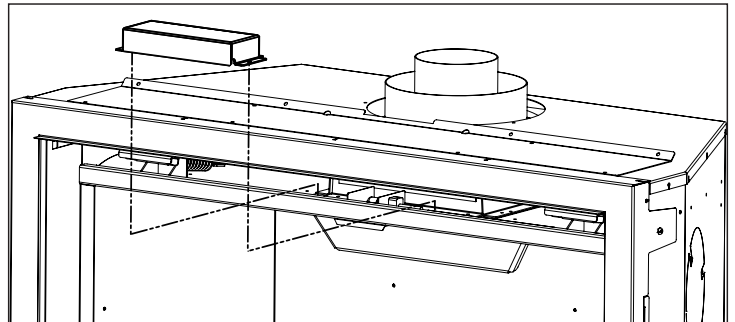
5. Reverse steps to reassemble unit.

Light Bulb Replacement—Top Light

1. Turn off fireplace and wait until it has reached room temperature.
2. Remove the Screen Barrier. See Section: Safety screen removal / Installation.
3. Remove the glass door: See Section: Glass door removal / Installation.
4. Remove the two screws with a phillips-head screwdriver as shown below.

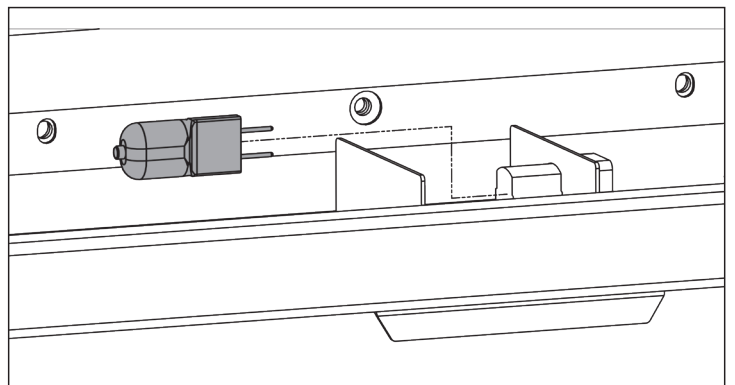


5. Remove the Top Light Casing by lifting up and out.



6. Remove the old light bulb by pulling out of the socket.

7. Install the new bulb using soft, clean, gloves. Do NOT touch the bulb with your bare hands. Part # of the top bulb is 911-300.



8. Reverse steps to re-install. **NOTE:** Be careful not to pinch the wiring when re-installing the Top Light Casing. There is a cut-out for the wiring to route through.

maintenance

Valve Replacement

Removing Valve

1. Shut off the gas and electrical supply.
2. Remove the safety screen.
3. Remove the glass door.
4. Remove the logs and glass.
5. Remove the log grate assembly by removing 2 screws and sliding tray forward to remove.

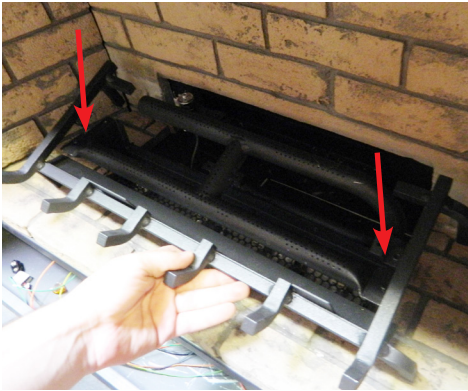


Diagram 1: Remove the left and right screws.

6. Remove bottom (brick or enamel) panel.
7. Remove 3 screws in locations shown below. Slide the burner assembly to the right to release it from the orifice, then lift it out.



Diagram 2: Slide burner assembly to the right—then remove.

8. Disconnect the inlet gas line.
9. Disconnect the EV1, EV2, and ground wires from the valve - as shown below.

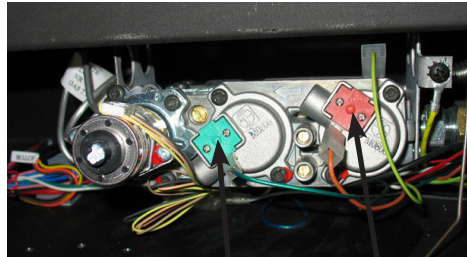


Diagram 3

EV1

EV2

10. Remove the 12 screws securing the valve tray assembly in place (Diagram 4) and then lift out entire assembly.

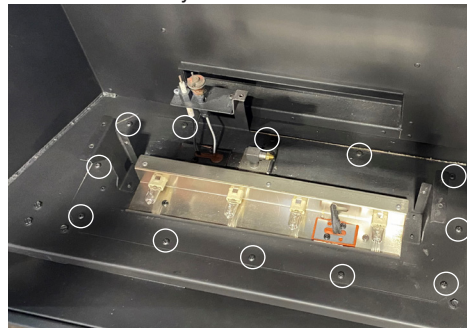


Diagram 4

Installing Valve

1. Place new valve tray into position
2. Reinstall the 8 hold down screws.
3. Hook up the EV1 and EV2 wires to the appropriate connections on the valve.
4. Install the burner assembly
5. Hook up the gas line and check for gas leaks with a soap and water solution or a gas leak detector. (Do not use open flame for leak testing.)
6. Fire up the unit temporarily
7. Check the manifold pressure.
8. Reinstall the inner panels, log grate, logs, and media as needed.
9. Reinstall the door and screen door.
10. Fire up the unit again and check for proper flame appearance and glow on logs.

IFC Replacement

IMPORTANT : Ensure 3 prong cord is disconnected from receptacle located on lower right hand side of appliance prior to servicing IFC.

Label all wires prior to disconnection when servicing controls. Wiring errors can cause improper and dangerous operation. Verify proper operation after servicing.

1. Do not begin until the unit has fully cooled.
2. Remove the screen barrier. See section, "Safety screen removal / Installation."
3. Remove the glass door. See section, "Glass Door Removal / Installation".
4. Remove the bottom cover panel by rotating it up and lifting it out.



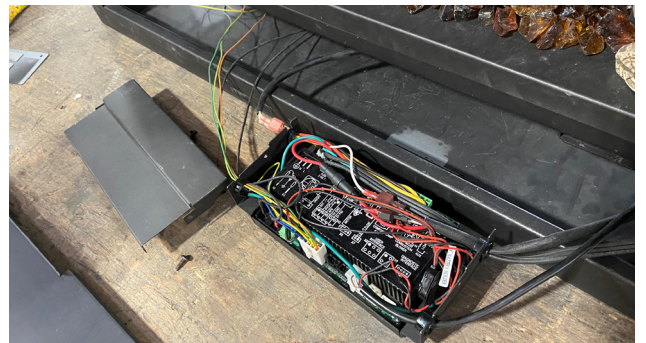
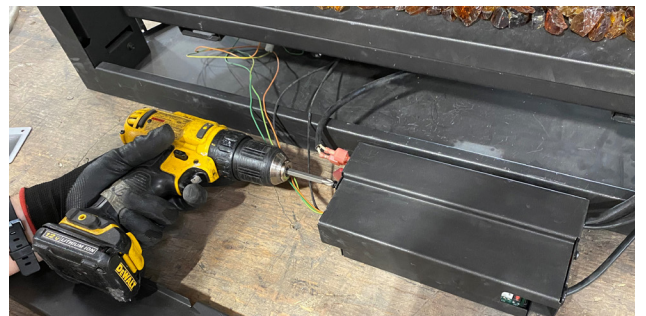
5. Pull the IFC box towards the front of the unit.



6. Rotate the front of the IFC box up and pull it out of the unit.



7. Remove the two screws that secure the cover plate to the base of the IFC box. Then remove the cover plate.



8. Reverse steps to install.

parts list

Gas Appliance Maintenance

Recommended Annual Routine Maintenance for Gas Fireplaces, Stoves and Inserts

In order for your Regency appliance to continue to provide comfort to your home periodic maintenance must be performed to ensure it is operating at peak efficiency. The items in the list should be checked by a licensed gas service technician during the annual service check. Your unit may require more frequent maintenance checks if you notice any changes in how it operates. Operational changes to look for can include, but are not limited to, extended start up time, increased fan noise, residue/carbon build up, white build up on the glass/firebox, increased operating noise etc. Should any of these or other conditions arise, discontinue use and schedule a service check with your local licensed gas technician. The list below shows items your licensed service technician will need to check and service at least annually.

Clean

- Glass
- Interior bricks / panels
- Burner ports & burner air shutter
- Fan blades
- Log set
- Pilot orifices
- Pilot hood (change as needed)
- Flame sensor (electronic ignition models)
- Flame electrode
- Burner orifice
- Thermocouple (millivolt models)
- Thermopile (millivolt models)

Inspect

- Pilot assembly
- Burner
- Pressure relief gaskets/doors
- Flue connector gasket if present
- Door seal
- Firebox
- Venting
- Batteries (remote handheld, remote receiver, DC sparker, change as needed)
- Burner media (change as needed)
- Air shutter setting
- Wiring

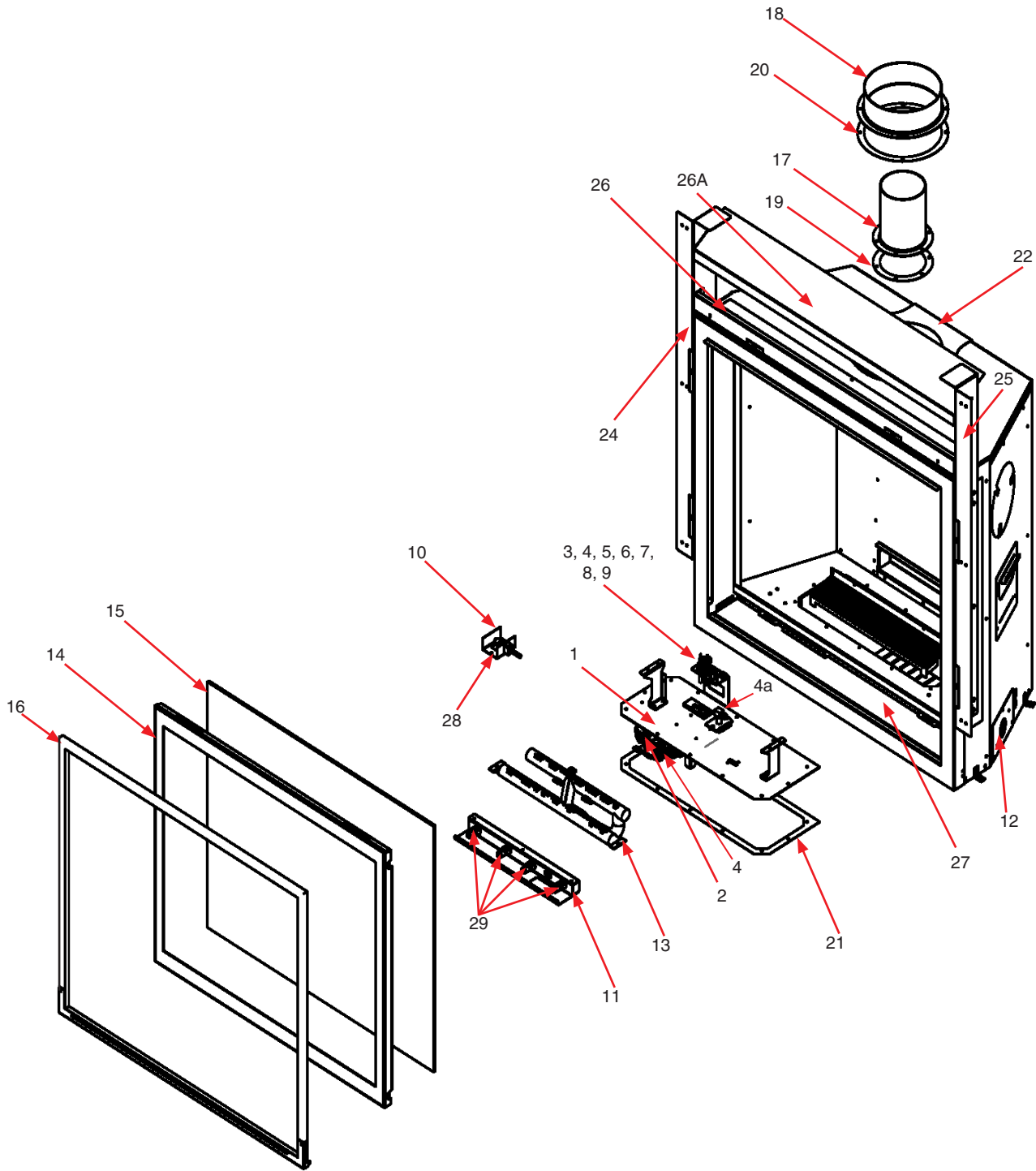
Check

- Voltage on thermocouple/thermopile (millivolt models)
- Ohms reading on flame sense (electronic ignition models)
- Inlet/outlet fuel pressures as per rating plate
- Voltage/ohms readings on gas valve
- Ohms reading to on/off switch circuit (Millivolt models)

Gas Leak Tests

- Check main gas line connection to valve
- Check shut off valve connections
- Check connection at gas valve outlet
- Check connection at main burner orifice
- Check pilot fuel line at valve and at pilot assembly

Main Assembly



parts list

Main Assembly

| | Part | Description |
|-----|-----------|---|
| 1 | 776-574/P | Valve Assembly - NG |
| 1 | 776-576/P | Valve Assembly - LP |
| 2 | 911-188 | Valve NG 885 SIT IPI 0.885.009 |
| 2 | 911-085 | Valve LP 885 SIT IPI 0.885.002 |
| 3 | 911-276 | Pilot Assembly IPI NG 2 Flame |
| 3 | 911-277 | Pilot Assembly IPI LP 2 Flame |
| 3 | 910-036 | Orifice SIT Pilot - NG #51 977.165 |
| 3 | 910-037 | Orifice SIT Pilot - LP #30 977.167 |
| 4 | 911-190 | Stepper Motor/Modulator - NG 0.907.023 |
| 4 | 911-011 | Stepper Motor/Modulator - LP 0.907.012 |
| 4a | 905-063 | Burner Orifice #46 - NG (PO512) |
| 4a | 904-977 | Burner Orifice #55 - LP (PO512) |
| 5 | 911-037 | Flame Sensor 0.915.905 |
| 6 | 911-038 | Flame Electrode 0.915.020 |
| 7 | 910-432 | NovaSit Pilot Tubing With Nuts |
| 8 | 911-039 | Two Way Pilot Hood |
| 9 | 911-137 | Pilot Hood Clip |
| N/S | 908-528 | Label Propane Red |
| N/S | 908-529 | Label Natural Gas Yellow |
| N/S | 904-529 | Allen Key 5/32 Long |
| N/S | 904-165 | Fitting 3/8 Male Flarex Mpt Strt Adaptor |
| N/S | 905-038 | Bracket Dormont Orifice Mnt 10-BZ001-9 |
| N/S | 656-039 | Gasket Orifice Mount CB/CV40E |
| N/S | 905-037 | Gas Line SS Steel 3/8" ODX 12 inch |
| N/S | 911-173 | Wire Harness IFC No CPI Switch 584.924 |
| N/S | 911-177 | Wire 4 Pos IFC Fan & Light |
| N/S | 911-181 | Wire Harness Battery Box Proflame II |
| N/S | 911-193 | Connector W/Jumper |
| N/S | 911-266/P | IFC Board SIT ProFlame II PV 0.584.625 |
| N/S | 911-210 | External Antenna |
| N/S | 911-292 | Remote Control GTMFLSA SIT 0.584.040 |
| N/S | 911-333 | Power Harness With Aux Connector |
| 10 | 911-295 | Light Assembly Top(Housing/Wires Assy/ Bulb Socket/Light Bulb) |
| 11 | 911-312 | Light Assembly Bottom (Housing/Wires Assy/ Bulb Socket/Light Bulb) |
| N/S | 910-429 | Receptacle Box Duplex Metal |
| 12 | 761-053F | Electrical Box Mounting Plate |
| N/S | 910-369 | Receptacle Box Low Volt. SC100A |
| N/S | 910-576 | Cover Wall Mount White GTM SIT 0.584.803 |
| N/S | 910-428 | Receptacle Duplex White |
| N/S | 910-430 | Receptacle Cover Duplex Metal |
| N/S | 904-687 | Connector Clamp 3/8 CI-804 |
| N/S | 911-187 | Remote Receiver/Battery Holder 584.103 |
| N/S | 918-835 | Decal Logo Regency / Flame Sit Remote |
| N/S | 918-876 | Decal Remote Quick Reference GTMF |

| | | |
|-----|-----------|---|
| N/S | 948-099 | Spring Compression 3inch Long Zinc Plated LC 085J 10 M |
| N/S | 396-179 | Gasket Bulk Hd (Side Firebox Pilot Line) |
| N/S | 396-178F | Plate Bulk Head Clamp |
| 13 | 776-525 | Burner Assembly NG/LP c/w Cap |
| 14 | 776-028 | Door Frame Only |
| 15 | 940-526/P | Replacement Glass (Includes Gasket) (Size : 23 5/8" H x 27 13/16" W) |
| 16 | 776-109/P | Mesh Glass Guard |
| N/S | 936-157 | Gasket Tadpole Tape (Sold Per foot) |
| N/S | 936-220 | Gasket Tape 2" Wide Graphite |
| N/S | 904-691 | Clip-U |
| N/S | 366-049 | Neocermaic Glass (Lights) Size : 1 5/8" x 1 1/4") |
| N/S | 761-505 | Bottom Door Latch Assembly (Each) |
| N/S | 761-506 | Top Door Latch Assembly (Each) |
| N/S | 776-115 | Grate Assembly |
| N/S | 776-514 | Log Support Brackets (Set of 2) |
| N/S | 946-779 | Fireglass Ginger 3/4" in. 3.5 lb pkg. |
| N/S | 902-059 | Vermiculite 1/2 Cup Black Sea |
| N/S | 902-060 | Ember Black/White 10 Pcs |
| N/S | 776-043 | IFC Housing Base |
| N/S | 776-044 | IFC Housing Top |
| N/S | 776-063 | Cool Wall Metal Sliding Piece |
| N/S | 776-090F | Cool Wall Metal Cover Lower Piece |
| N/S | 776-026 | Top Inner Baffle |
| N/S | 776-033 | Exhaust Cover Plate |
| N/S | 761-024F | Air Intake Cover |
| N/S | 761-025 | Air Chamber Insulation Blanket |
| N/S | 776-131 | Top Insulation |
| N/S | 761-049 | Brick/Enamel Panel Clip (Each) |
| N/S | 761-051 | Light Cover Tray Bottom |
| N/S | 761-052F | Plate Bottom Light Cover Back Piece |
| N/S | 761-058 | Light Casing Top |
| N/S | 761-059 | Top Light Glass Retainer |
| N/S | 761-060F | Restrictor Plate |
| N/S | 776-057 | Top Vent Heat Shield |
| N/S | 776-132 | Top Front Insulation |
| N/S | 776-133 | Top Middle Insulation |

Optional Accessories

| | Part | Description |
|-----|-----------|---|
| 17 | 761-103 | Exhaust Flue Collar |
| N/S | 776-033 | Exhaust Cover Plate |
| 18 | 761-104 | Intake Flue Collar |
| 19 | 761-105 | Gasket Exhaust |
| 20 | 761-106 | Gasket Intake |
| N/S | 761-107 | Gasket Exhaust Cover Plate |
| N/S | 761-108 | Gasket Intake Cover Plate |
| 21 | 776-117 | Gasket Valve Tray |
| 22 | 761-026 | Outerbox Collar Perimeter Trim |
| 24 | 776-023 | Nailing Standoff Flange L/H |
| 25 | 776-024 | Nailing Standoff Flange R/H |
| 26 | 776-100 | Deflector Header |
| 26A | 776-101 | Nailing Flange Top |
| 27 | 761-050 | Front Cover Access Panel |
| 28 | 911-297 | Hallogen Bulb G9/120V/18W (Bottom Bulb) |
| 29 | 911-300 | Hallogen Bulb G9/120V/25W (Top Bulb) |
| N/S | 761-122 | Gasket Light Wire |
| N/S | 776-130 | Board Calcium Silicate (32" W x 13" H) |
| N/S | 761-129 | Gasket Top Light |
| N/S | 776-064 | Insulation Rear Enamel/Steel Panel |
| N/S | 911-290/P | Fan motor Only |
| N/S | 911-181 | Fan Wire - Grey |
| N/S | 911-182 | Fan Wire - Red |

| | Part | Description |
|-----|---------|--|
| N/S | 776-901 | Brick Panel Standard Brown |
| N/S | 776-903 | Brick Panel Herringbone Brown |
| N/S | 776-904 | Brick Panel Castle Stone Grey |
| N/S | 776-905 | Brick Panel Standard Volcanic Black |
| N/S | 776-907 | Inner Panel Black |
| N/S | 776-908 | Inner Panel Black Enamel |
| N/S | 761-917 | Fan Kit |
| N/S | 776-922 | Faceplate Vignette Brush Nickel |
| N/S | 776-924 | Faceplate Vignette Metallic Black |
| N/S | 776-928 | Trim Finishing Black 3-Sided |
| N/S | 776-929 | Trim Finishing Clean Front Black 3-Sided |
| N/S | 776-930 | Log Set Oak Packaged |
| N/S | 776-932 | Log Set Birch Packaged |
| N/S | 776-938 | Log Grate & Ember Package |
| N/S | 761-941 | Chase Vent White |
| N/S | 776-969 | Conversion - LP |
| N/S | 776-968 | Conversion - NG |
| N/S | 946-556 | HeatWave Duct Kit |

warranty

Limited Lifetime Warranty

FPI Fireplace Products International Ltd. (for Canadian customers) and Fireplace Products U.S., Inc. (for U.S. customers) (collectively referred to herein as “FPI”) extends this Limited Lifetime Warranty to the original purchaser of this appliance provided the product remains in the original place of installation. The items covered by this limited warranty and the period of such coverage is set forth in the table below.

Some conditions apply (see below).

The policy is not transferable, amendable or negotiable under any circumstances.

| Indoor Gas Products Warranty Coverage Parts and Labor | Part | | | | Supplier | Labor Coverage |
|---|----------|---------|---------|--------|----------|-------------------|
| | Lifetime | 5 years | 2 years | 1 year | Warranty | (Years) |
| Firebox and Heat Exchanger | ✓ | | | | | 3 |
| Steel Burner Tube | ✓ | | | | | 3 |
| Glass Thermal breakage only | ✓ | | | | | 3 |
| All Surrounds/Inlays Finishes | | ✓ | | | | 3 |
| Brick Panels/Log sets/Ceramic Burners | | ✓ | | | | 3 |
| All Castings | | ✓ | | | | 3 |
| Valve assembly and all gas control components, (Pilot assembly, flame sensors, Spark Electrode, Pilot Tubing, Orifices, Thermocouple, Thermopile) | | | ✓ | | | 2 |
| All Other Electrical components,(Ignition Control Boards, Wiring, Switches, Blowers, Blower Control Module, Battery Pack, Remote Control Systems) | | | ✓ | | | 2 |
| Enamel Panels | | | ✓ | | | 1 |
| Venting/Venting Components | | | ✓ | | | 1 |
| All Stainless steel surrounds | | | | ✓ | | 1 |
| All Firebox Media (Crystals, Firebeads, Volcanic, Ceramic & Spa Stones) | | | | ✓ | | 1 |
| All hardware | | | | ✓ | | 1 |
| Mesh/Glass Safety Barriers | | | | ✓ | | 1 |
| Accent Light Bulbs | | | | ✓ | | 1 |
| Glass (Crazing) | | | | ✓ | | 1 |

Conditions:

Warranty protects against defect in manufacture or FPI factory assembled components only, unless herein specified otherwise.

Any part(s) found to be defective during the warranty period as outlined above will be repaired or replaced at FPI’s option through an accredited distributor, dealer or pre-approved and assigned agent provided that the defective part is returned to the distributor, dealer or agent for inspection if requested by FPI. Alternatively, FPI may at its own discretion fully discharge all of its obligations under the warranty by refunding the verified purchase price of the product to the original purchaser. The purchase price must be confirmed by the original Bill of Sale.

The authorized selling dealer, or an alternative authorized FPI dealer if pre-approved by FPI, is responsible for all in-field diagnosis and service work related to all warranty claims. FPI is not responsible for results or costs of workmanship of unauthorized FPI dealers or agents in the negligence of their service work.

At all times FPI reserves the right to inspect reported complaints on location in the field claimed to be defective prior to processing or authorizing of any claim. Failure to allow this upon request will void the warranty.

All warranty claims must be submitted by the dealer servicing the claim, including a copy of the Bill of Sale (proof of purchase by you). All claims must be complete and provide full details as requested by FPI to receive consideration for evaluation. Incomplete claims may be rejected.

Unit must be installed according to all manufacturers' instructions as per the manual.

All Local and National required codes must be met.

The installer is responsible to ensure the unit is operating as designed at the time of installation.

The original purchaser is responsible for annual maintenance of the unit, as outlined in the owner's manual. As outlined below, the warranty may be voided due to problems caused by lack of maintenance.

Repair/replacement parts purchased by the consumer from FPI after the original coverage has expired on the unit will carry a 90 day warranty, valid with a receipt only. Any item shown to be defective will be repaired or replaced at our discretion. No labor coverage is included with these parts

Exclusions:

This Limited Lifetime Warranty does not extend to paint, rust or corrosion of any kind due to a lack of maintenance or improper venting, combustion air provision, corrosive chemicals (i.e. chlorine, salt, air, etc.), door or glass gasketing.

Malfunction, damage or performance based issues as a result of environmental conditions, location, chemical damages, downdrafts, installation error, installation by an unqualified installer, incorrect chimney components (including but not limited to cap size or type), operator error, abuse, misuse, use of improper fuels, lack of regular maintenance and upkeep, acts of God, weather related problems from hurricanes, tornados, earthquakes, floods, lightning strikes/bolts or acts of terrorism or war, which result in malfunction of the appliance are not covered under the terms of this Limited Lifetime Warranty.

FPI has no obligation to enhance or modify any unit once manufactured (i.e. as products evolve, field modifications or upgrades will not be performed on existing appliances).

This warranty does not cover dealer travel costs for diagnostic or service work. All labor rates paid to authorized dealers are subsidized, pre-determined rates. Dealers may charge homeowner for travel and additional time beyond their subsidy.

Any unit showing signs of neglect or misuse will not be covered under the terms of this warranty policy and may void this warranty. This includes units with rusted or corroded fireboxes which have not been reported as rusted or corroded within three (3) months of installation/purchase.

Units which show evidence of being operated while damaged, or with problems known to the purchaser and causing further damages will void this warranty.

Units where the serial no. has been altered, deleted, removed or made illegible will void this warranty.

Minor movement, expansion and contraction of the steel is normal and is not covered under the terms of this warranty.

FPI is not liable for the removal or replacement of facings or finishing in order to repair or replace any appliance in the field.

Freight damages for products or parts are not covered under the terms of the warranty.

Products made or provided by other manufacturers and used in conjunction with the FPI appliance without prior authorization from FPI may void this warranty.

warranty

Limitations of Liability:

The original purchaser's exclusive remedy under this warranty, and FPI's sole obligation under this warranty, express or implied, in contract or in tort, shall be limited to replacement, repair, or refund, as outlined above. IN NO EVENT WILL FPI BE LIABLE UNDER THIS WARRANTY FOR ANY INCIDENTAL OR CONSEQUENTIAL COMMERCIAL DAMAGES OR DAMAGES TO PROPERTY. TO THE EXTENT PERMITTED BY APPLICABLE LAW, FPI MAKES NO EXPRESS WARRANTIES OTHER THAN THE WARRANTY SPECIFIED HEREIN. THE DURATION OF ANY IMPLIED WARRANTY IS LIMITED TO DURATION OF THE EXPRESSED WARRANTY SPECIFIED ABOVE. IF IMPLIED WARRANTIES CANNOT BE DISCLAIMED, THEN SUCH WARRANTIES ARE LIMITED IN DURATION TO THE DURATION OF THIS WARRANTY.

Some U.S. states do not allow limitations on how long an implied warranty lasts, or allow exclusion or limitation of incidental or consequential damages, so the above limitations or exclusions may not apply to you.

Customers located outside the U.S. should consult their local, provincial or national legal codes for additional terms which may be applicable to this warranty.

How to Obtain Warranty Service:

Customers should contact the authorized selling dealer to obtain warranty service. In the event the authorized selling dealer is unable to provide warranty service, please contact FPI by mail at the address listed below. Please include a brief description of the problem and your address, email and telephone contact information. A representative will contact you to make arrangements for an inspection and/or warranty service.

Canadian Warrantor:

FPI Fireplace Products International Ltd.
6988 Venture St.
Delta, British Columbia
Canada, V4G 1H4

U.S. Warrantor:

Fireplace Products U.S., Inc.
PO Box 2189 PMB 125
Blaine, WA
United States, 98231

Or contact the Regency Customer Care Centre at 1-800-442-7432 (phone) / 604-946-4349 (fax)

Product Registration and Customer Support:

Thank you for choosing a Regency Fireplace. Regency strives to be a world leader in the design, manufacture, and marketing of hearth products. To provide the best support for your product, we request that you complete a product registration form at <http://www.regency-fire.com/Customer-Care/Warranty-Registration.aspx> within ninety (90) days of purchase.



Product Registration and Customer Support:

Thank you for choosing a Regency Fireplace. Regency strives to be a world leader in the design, manufacture, and marketing of hearth products. To provide the best support for your product, we request that you complete a product registration form found on our Web Site under Customer Care within ninety (90) days of purchase.

For purchases made in **CANADA or the UNITED STATES:**

<http://www.regency-fire.com/Customer-Care/Warranty-Registration.aspx>

For purchases made in AUSTRALIA:

<http://www.regency-fire.com.au/Customer-Care/Warranty-Registration.aspx>

You may also complete the warranty registration form below to register your Regency Fireplace Product and mail and/or fax it back to us, and we will register the warranty for you. It is important you provide us with all the information below in order for us to serve you better.

Warranty Registration Form (or Register online immediately at the above Web Site):

| | |
|--|--|
| Warranty Details | |
| Serial Number (required): | |
| Purchase Date (required) (mm/dd/yyyy): | |
| Product Details | |
| Product Model (required): | |
| Dealer Details | |
| Dealer Name (required): | |
| Dealer Address: | |
| Dealer Phone #: | |
| Installer: | |
| Date Installed (mm/dd/yyyy): | |
| Your Contact Details (required) | |
| Name: | |
| Address: | |
| Phone: | |
| Email: | |

For purchases made in CANADA:

FPI Fireplace Products International Ltd.
6988 Venture St.
Delta, British Columbia
Canada, V4G 1H4

Phone: 604-946-5155
Fax: 1-866-393-2806

For purchases made in the UNITED STATES:

Fireplace Products US, Inc.
PO Box 2189 PMB 125
Blaine, WA
United States, 98231

Phone: 604-946-5155
Fax: 1-866-393-2806

For purchases made in AUSTRALIA:

Fireplace Products Australia Pty Ltd
1- 3 Conquest Way
Hallam, VIC
Australia, 3803

Phone: +61 3 9799 7277
Fax: +61 3 9799 7822

For fireplace care and tips and answers to most common questions please visit our Customer Care section on our Web Site. Please feel free to contact your selling dealer if you have any questions about your Regency product.

Installer: Please complete the following information

Dealer Name & Address: _____

Installer: _____

Phone #: _____

Date Installed: _____

Serial No.: _____
