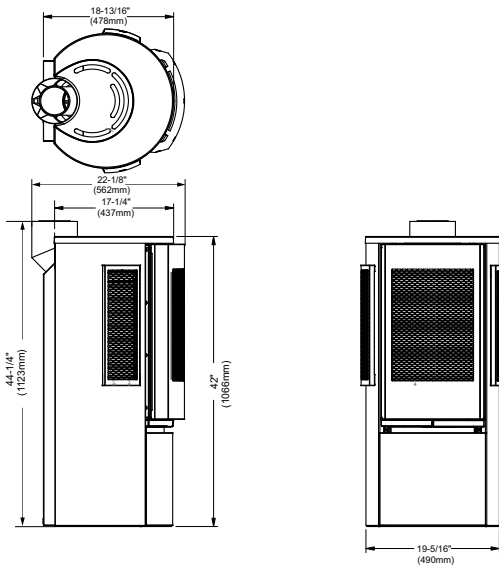


RC500E Gas Fireplace

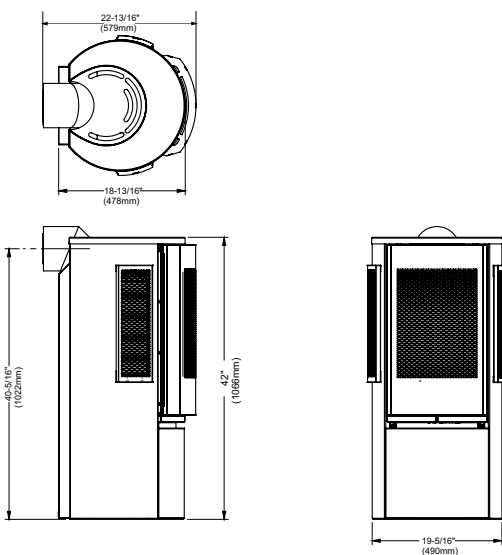
Model	RC500E	RC500E
Fuel Type	Natural Gas	Propane
Minimum Supply Pressure	5" W.C. (1.25 kPa)	11" W.C. (2.73 kPa)
Manifold Pressure - High	3.5" W.C. (0.95 kPa)	10" W.C. (2.49 kPa)
Manifold Pressure - Low	1.6" W.C. (0.40 kPa)	6.4" W.C. (1.59 kPa)
Orifice Size -Altitude 0-4500 ft.	#43 DMS	#54 DMS
Minimum Input Altitude 0-4500 ft. (0-1372m)	16,000 BTU/h (4.69 kW)	18,000 BTU/h (5.28 kW)
Maximum Input Altitude 0-4500 ft. (0-1372m)	23,000 BTU/h (6.74 kW)	22,000 BTU/h (6.45kW)
Vent Sizing	4"Inner/ 6-5/8" Outer	4"Inner/ 6-5/8" Outer



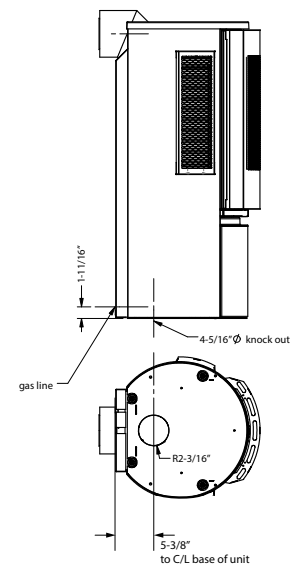
unit dimensions with vertical venting



unit dimensions with Horizontal venting



gas line dimensions



RC500E Gas Fireplace

clearances to combustibles

The clearances listed are MINIMUM distances. Measure the clearance to both the appliance and the chimney connector. **The farthest distance is correct if the two clearances do not coincide.**

For example, if the appliance is set as indicated in one of the figures but the connector is too close, move the stove until the correct clearance to the connector is obtained.

This appliance may be installed only with the clearances as shown in the situations pictured. **Do not combine clearances from one type of installation with another in order to achieve closer clearances.**

This unit can be installed on a solid combustible surface like a wood floor. This unit can also be installed directly on carpeting or vinyl.

Use the minimum clearances shown in the diagrams below:

RC500E Clearances

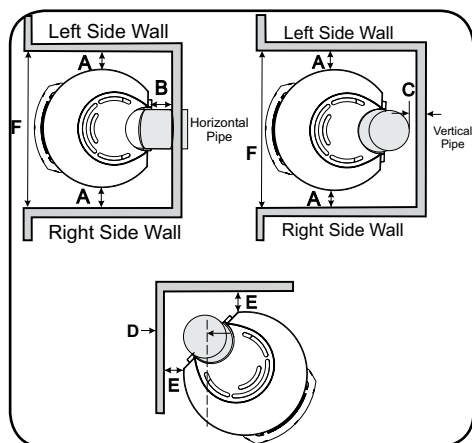
A Left/Right Side Wall to Unit*	9" / 229 mm
B Back Wall to Unit	2" / 50mm
C Vertical Vent Pipe to Back Wall	2" / 50 mm
D Wall to Centerline of Pipe	8-3/4"/222 mm
E Unit Corner to Wall (Top Vent)	4" / 50 mm
Unit Corner to Wall (Rear Vent)	5-3/4"/146 mm
F Alcove Width	50" / 1270mm

Minimum ceiling/mantel height is 15" / 381mm from top of unit. This also applies if installed into an alcove.

*IMPORTANT

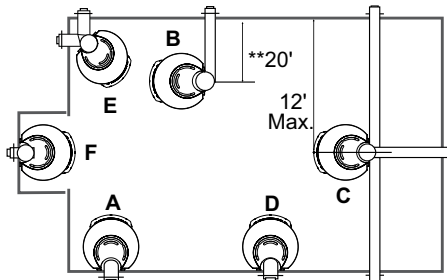
If installed in an alcove the clearance on one side must be a minimum of 9 inches. The other side would need to be a minimum of 21 inches as a result of the clearance being 50 inches in length when installed in an alcove.

If the minimum of 9 inches is increased on one side, the other side could be decreased if the alcove was 50 inches.



locating your gas stove

When selecting a location for your stove, ensure that the clearances listed above are met as well as ensuring that there is adequate accessibility for servicing and proper operation.



- A) Cross Corner
- B) Room Divider
- C) Island
- D) Flat on Wall
- E) Flat on Wall Corner
- F) Flush with Wall/Alcove

For Vent Termination requirements, see "Exterior Vent Terminal Locations" section.

**Maximum length will vary depending on vent run. See complete details in this manual.

manufactured mobile home additional requirements

1. Ensure that structural members are not cut or weakened during installation.
2. Ensure proper grounding using the #8 ground lug provided.
3. Appliance must be anchored to the floor with the supplied anchoring methods.

combustion and ventilation air

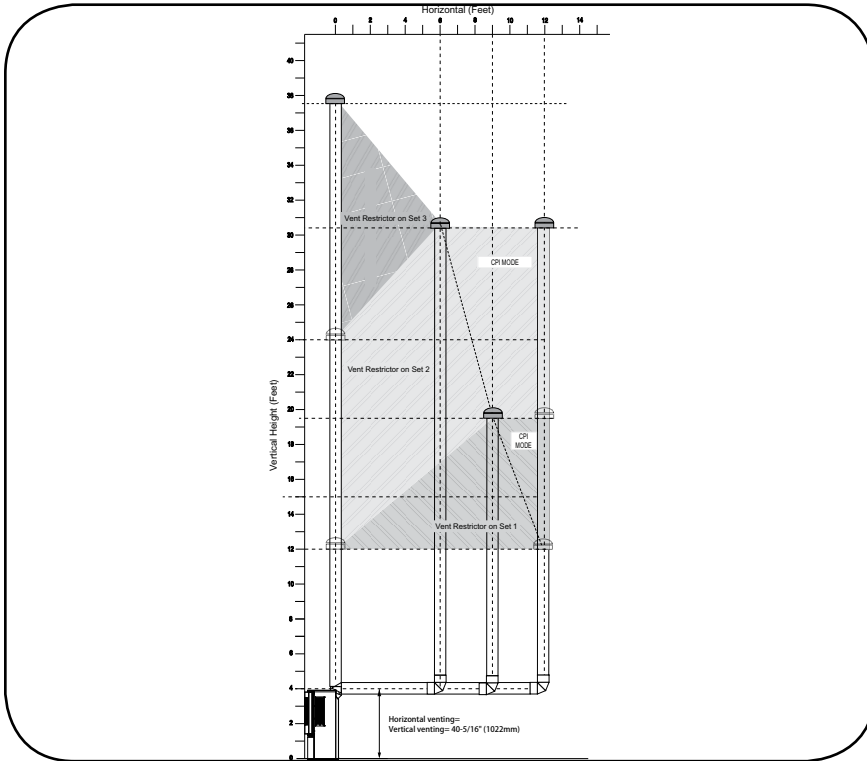
The combustion air from this appliance is drawn from outside the building through the outer flue. **Extra provision for combustion air inside the room is not required.**

flue pipe clearances to combustibles

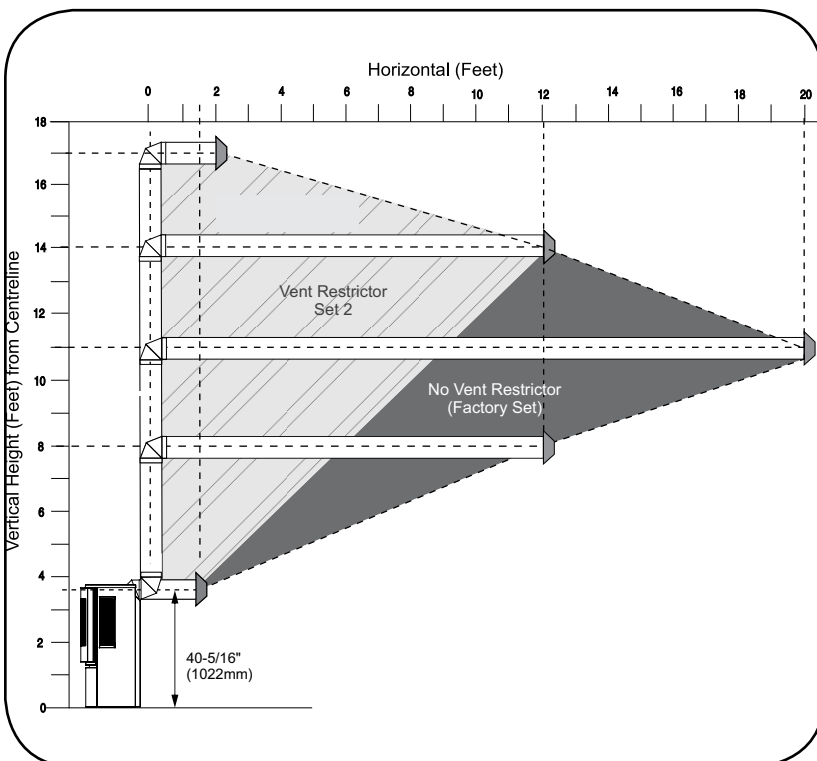
Horizontal top =	3"
Horizontal sides =	2"
Horizontal bottom =	2"
Vertical =	2"
Passing through wall/floor/ceiling when fire-stop is used =	1-1/2"

Venting Arrangements - vertical venting

Important: The IPI/CPI switch on the hand-held remote control transmitter must be turned to CPI (Continuous Pilot Ignition) at all times. This will avoid nuisance pilot outages during operation of this appliance when using these venting configurations on this page. See Remote manual for setup of this IPI/CPI switch



Venting Arrangements - Horizontal venting



RC500E Gas Fireplace

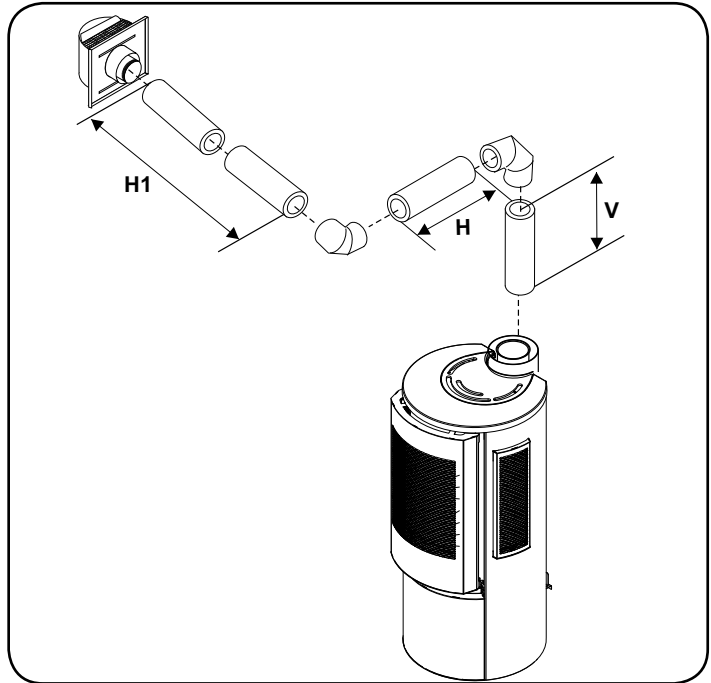
Horizontal Venting with Two (2) 90° Elbows

One 90° elbow = Two 45° elbows.

Option	V	H + H1	With these options, maximum total pipe length is 30 feet with minimum of 6 feet total vertical and maximum 8 feet total horizontal. Please note minimum 1 foot between 90° elbows is required.
A)	2' Min.	4' Max.	
B)	3' Min.	5' Max.	
C)	4' Min.	6' Max.	
D)	5' Min.	7' Max.	
E)	6' Min.	8' Max.	

Lengths do not include elbow indicated

Vent restrictor position A (fully open), refer to the "Vent Restrictor Position" section.



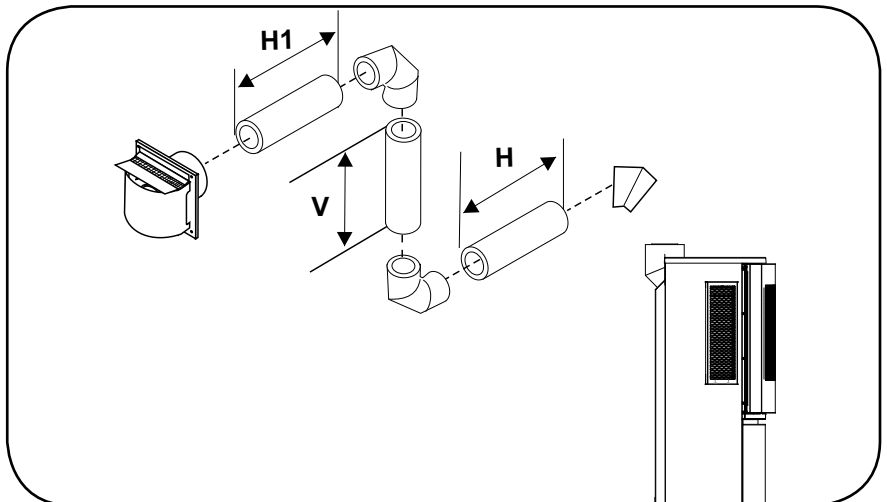
Horizontal Venting with Two (2) 90° Elbows

One 90° elbow = Two 45° elbows.

Option	H	V	H + H1	With these options, max. total pipe length is 30 feet with min. of 8 feet total vertical and max. 8 feet total horizontal. Please note min. 1 foot between 90° elbows is required.
A)	1' Max.	1' Min.	3' Max.	
B)	2' Max.	2' Min.	5' Max.	
C)	3' Max.	4' Min.	6' Max.	
D)	4' Max.	6' Min.	7' Max.	
E)	5' Max.	8' Min.	8' Max.	

Lengths do not include elbow indicated

Vent restrictor position A (fully open), refer to the "Vent Restrictor Position" section.



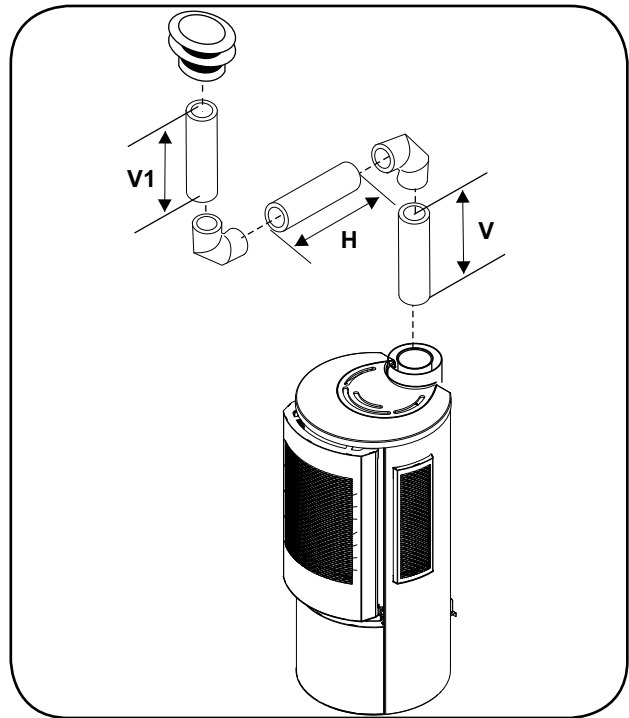
Vertical Venting with Two (2) 90° Elbows

One 90° elbow = Two 45° elbows.

Option	V	H	V + V1	With these options, max. total pipe length is 30 feet with min. of 6 feet total vertical and max. 8 feet total horizontal. Please note min. 1 foot between 90° elbows is required.
A)	1' Min.	4' Max.	2' Min.	
B)	2' Min.	5' Max.	3' Min.	
C)	3' Min.	6' Max.	4' Min.	
D)	4' Min.	7' Max.	5' Min.	
E)	5' Min.	8' Max.	6' Min.	

Lengths do not include elbow indicated

Vent restrictor position A (fully open), refer to the "Vent Restrictor Position" section.



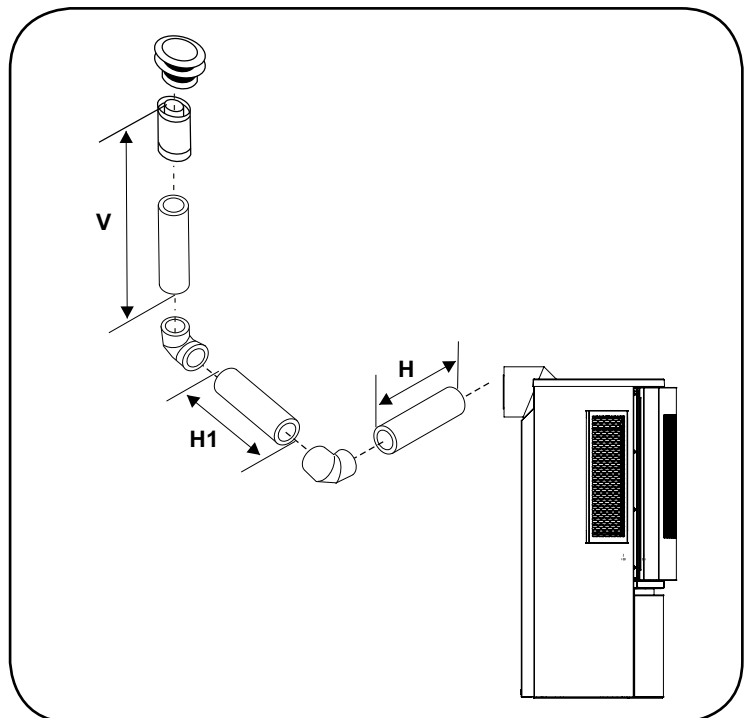
Vertical Venting with Two (2) 90° Elbows

One 90° elbow = Two 45° elbows.

Option	H + H1	V	With these options, max. total pipe length is 30 feet with min. of 6 feet total vertical and max. 6 feet total horizontal. Please note min. 1 foot between 90° elbows is required.
A)	2' Max.	2' Min.	
B)	3' Max.	3' Min.	
C)	4' Max.	4' Min.	
D)	5' Max.	5' Min.	
E)	6' Max.	6' Min.	

Lengths do not include elbow indicated

Vent restrictor position A (fully open), refer to the "Vent Restrictor Position" section.



co-linear 3" - 3" flex pipe venting (masonry chimney applications only)

Important: The IPI/CPI switch on the hand-held remote control transmitter must be turned to CPI (Continuous Pilot Ignition) at all times. This will avoid nuisance pilot outages during operation of this appliance when using these venting configurations on this page. See Remote manual for setup of this IPI/CPI switch.

