

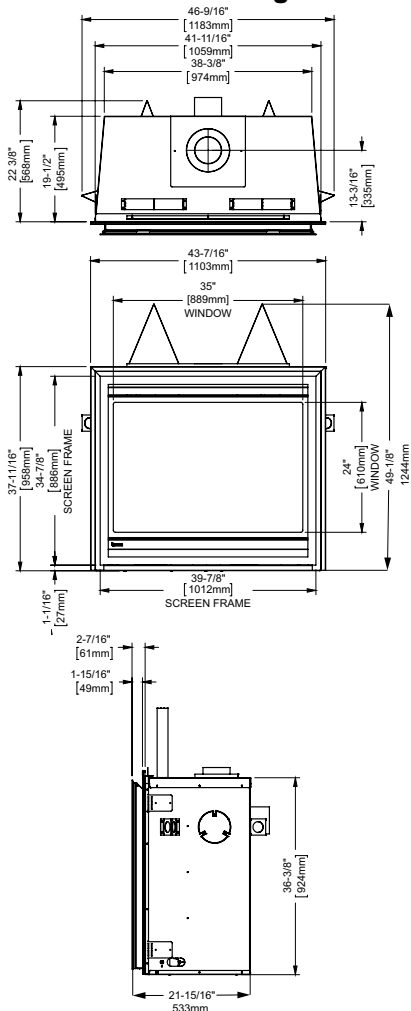
B41XTE Gas Fireplace

Model	B41XTE-NG11	B41XTE-LP11
Fuel Type	Natural Gas	Propane Gas
Minimum Supply Pressure	5" W.C. (1.25 kPa)	11" W.C. (2.74 kPa)
Manifold Pressure - High	3.5" W.C. (0.87 kPa)	10" W.C. (2.49 kPa)
Manifold Pressure - Low	1.6" W.C. (0.40 kPa)	6.4" W.C. (1.60 kPa)
Orifice Size	#30 DMS	#49 DMS
Minimum Input Altitude 0-4500 ft. (0-1372m)	30,000 BTU/h (8.79 kW)	29,500 BTU/h (8.65 kW)
Maximum Input Altitude 0-4500 ft. (0-1372m)	42,500 BTU/h (12.45 kW)	37,500 BTU/h (10.99 kW)
Vent Sizing	5" Inner / 8" Outer	5" Inner / 8" Outer
CSA P.4.1	68.15%	68.35%

Approved Venting Systems

Flex Vent Systems:	FPI AstroCap™ Flex Vent
Rigid Pipe Vent Systems:	Simpson Direct Vent Pro® Selkirk Direct-Temp™ Metal-Fab® Sure Seal ICC Excel Direct Olympia Ventis DV

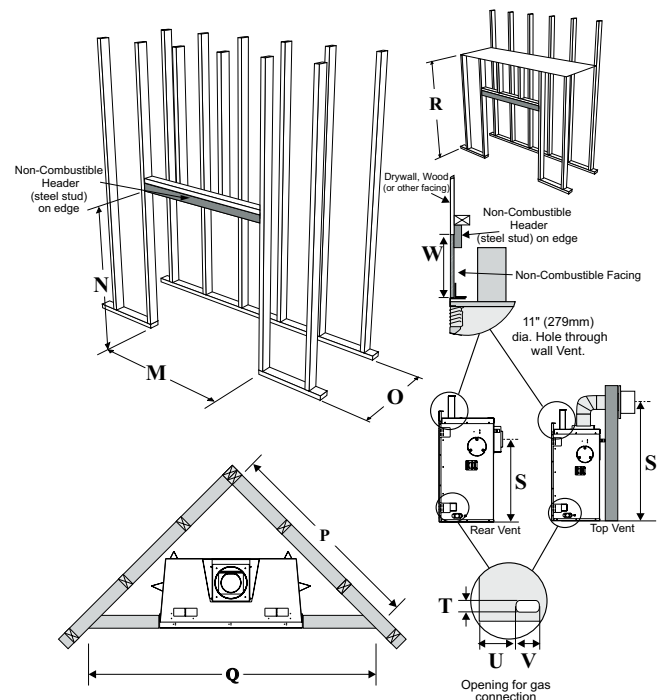
Unit Dimensions with Vignette:



Framing Dimensions with Vignette or Flush Panels:

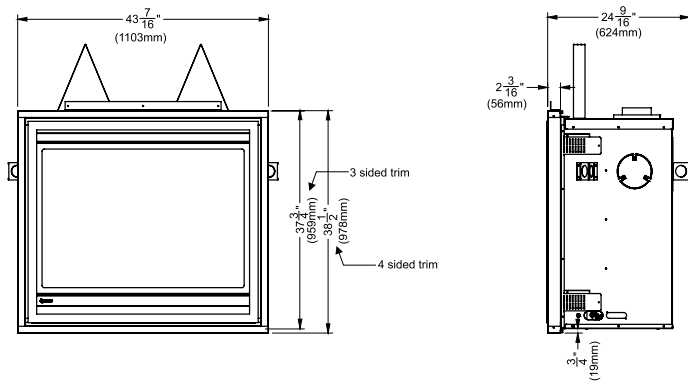
Framing Dimensions	Description	B41XTE-10
M	Framing Width	47-1/4" (1200mm)
N	Framing Height	49-1/2" (1257mm)
O (Rear Vent)	Framing Depth - Rear Vent	23-1/4" (591mm)
O (Top Vent)	Framing Depth - Top Vent	22-5/8" (575mm)
P	Corner Facing Wall Width	60-1/4" (1530mm)
Q	Corner Facing Wall Width	85-3/16" (2163mm)
R (Rear Vent)	Framed Chase Ceiling - Rear	49-1/2" (1257mm)
R (Top Vent)	Framed Chase Ceiling - Top	54-1/2" (1384mm)
S (Rear Vent)	Vent Centerline Height - Rear	28-1/2" (724mm)
S (Top Vent)	Vent Centerline Height - Top	47-1/2" (1207mm) Rigid / Flex
T	Gas Connection Height	1-1/2" (38mm)
U	Gas Connection Inset	5" (127mm)
V	Gas Connection Width	3-1/4" (82mm)
W	Non-Combustible Top Height	13-1/2" (343mm)

**** Important: Framing height requires consideration of the hearth depth. Dimension N = N + the thickness of the installed hearth.**

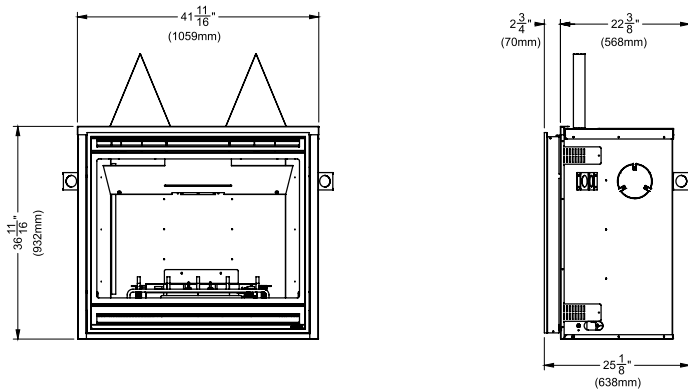


B41XTE-11 Gas Fireplace

DIMENSIONS WITH VIGNETTE & VIGNETTE FINISHING TRIM



DIMENSIONS WITH FLUSH PANELS & SAFETY SCREEN

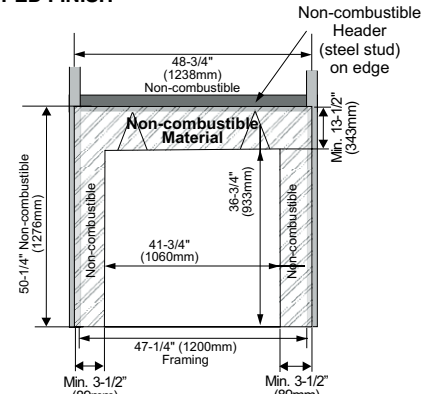


Unit Dimensions with Vignette Trim Finished Flush:

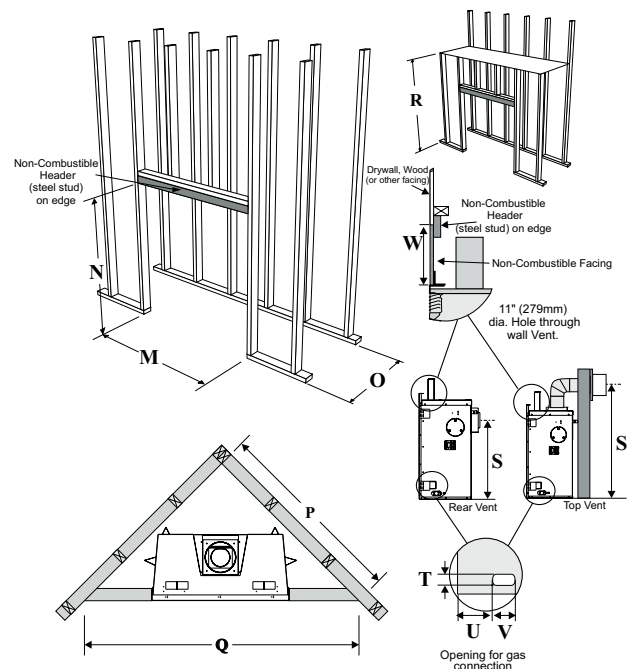
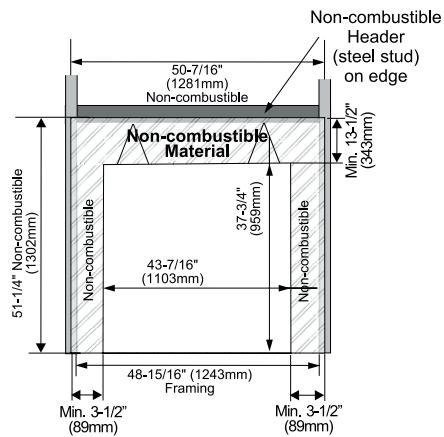
Framing Dimensions	Description	B41XTE
M	Framing Width	48-15/16"(1243mm)
N	Framing Height	50-1/4" (1276mm)
O (Rear Vent)	Framing Depth - Rear Vent	24-7/8" (632mm)
O (Top Vent)	Framing Depth - Top Vent	24-7/8" (632mm)
P	Corner Facing Wall Width	63-3/8" (1610mm)
Q	Corner Facing Wall Width	89-5/8" (2276mm)
R (Rear Vent)	Framed Chase Ceiling - Rear	50-1/4" (1276mm)
R (Top Vent)	Framed Chase Ceiling - Top	54-1/2" (1384mm)
S (Rear Vent)	Vent Centerline Height - Rear	28-1/2" (724mm)
S (Top Vent)	Vent Centerline Height - Top	47-1/2" (1207mm) Rigid / Flex
T	Gas Connection Height	1-1/2" (38mm)
U	Gas Connection Inset	5" (127mm)
V	Gas Connection Width	3-1/4" (82mm)
W	Non-Combustible Top Height	13-1/2" (343mm)

NON-COMBUSTIBLE REQUIREMENTS

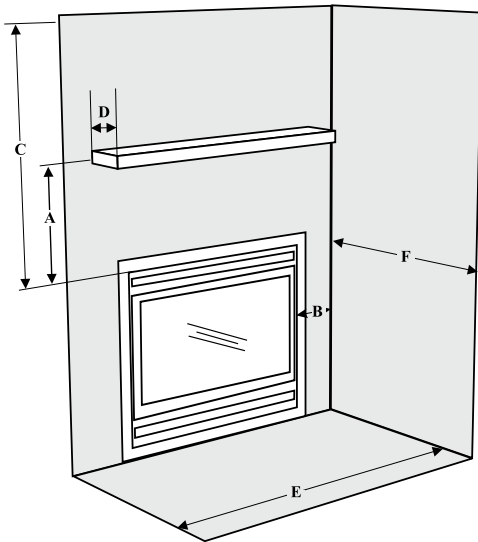
VIGNETTE (WITHOUT VIGNETTE FINISHING TRIM) OR FLUSH PANELS WITH SAFETY SCREEN OR VIGNETTE FACEPLATE/VIGNETTE TRIM STEPPED FINISH



VIGNETTE + VIGNETTE FINISHING TRIM - FINISHED FLUSH



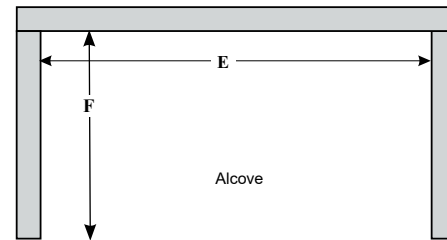
Clearance Requirements:



Clearance:	Dimension	Measured From:
A: Mantel Height (min.) with Flush Panels and Safety Screen	15" (381 mm)	Top of Fireplace Opening
A: Mantel Height (min.) with Vignette and Finishing Trim	24- 9/16" (624mm)	Top of Fireplace Opening
B: Sidewall	9" (229mm)	Side of Fireplace Opening
C: Ceiling	33-3/4" (933mm)	Top of Fireplace Opening
D: Mantel Depth (max.)	12" (304mm)	(See Dimension A) from Top of Fireplace Opening
E: Alcove Width	60" (1524mm)	Wall to Wall (Minimum)
F: Alcove Depth	36" (914mm)	Front to Back Wall (Maximum)
Notes:	0"	No Hearth Required

Minimum Vent Clearances to Combustibles	
Horizontal Top	3" (76mm)
Horizontal Side	2" (51mm)
Horizontal Bottom	2" (51mm)
Vertical Vent	2" (51mm)

NOTE: A 16" deep non-combustible hearth pad is recommended for hardwood flooring and carpet.

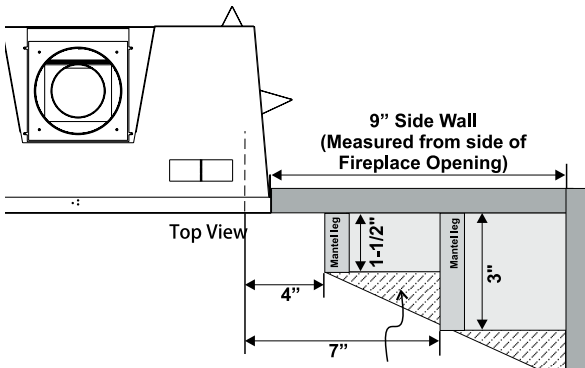


Combustible Mantels:

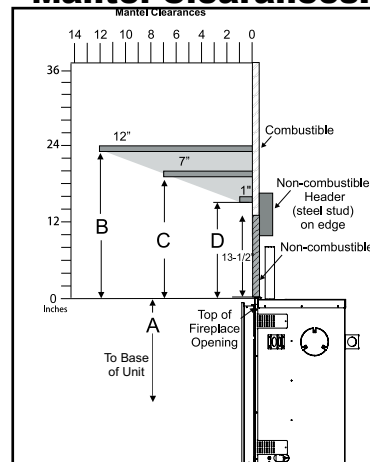
Due to the extreme heat this fireplace emits, the mantel clearances are critical. Combustible mantel clearances from top of front facing are shown in the diagram on the right.

Note: Ensure the paint that is used on the mantel and the facing is "heat resistant" or the paint may discolour.

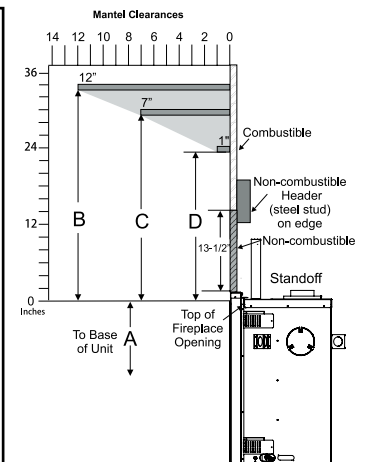
Mantel Leg Clearances:



Mantel Clearances:



Flush Panels + Safety Screen or Vignette Faceplate/Vignette Trim Stepped Finish



Vignette + Vignette finishing trim - finished flush

Mantel Clearances B41XTE		A	B	C	D
Flush Panels + Safety Screen	From Top of Fireplace Opening	35-1/4" (895mm)	23-1/4" (591mm)	19-1/2" (495mm)	15" (381mm)
Vignette with Vignette+Finishing Trim - Finished Flush	From Top of Fireplace Opening	35-1/4" (895mm)	33-1/16" (825mm)	29-5/16" (744mm)	24-9/16" (624mm)

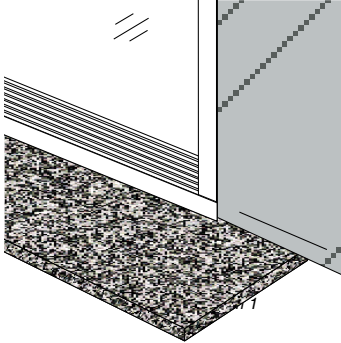
Note: The Vignette Finishing trim can not be used in conjunction with the flush panels and Safety Screen. A separate 3 sided finishing trim is offered for this application.

B41XTE-11 Gas Fireplace

FINISHING

IMPORTANT FINISHING DETAIL NOTE:

Before placing unit into final position - it is important to know the total thickness / height of finished hearth (tile, carpet, etc.) The base of the fireplace should be level or higher than the finished hearth height.



Note:

All non-combustible facing material should butt up cleanly to the flanges around the firebox opening.

Rough edges will be visible from the front view with the flush louvers or flush panels - if not using the optional finishing trim.

To maintain a clean finished edge - it is recommended to install the non-combustible facing material with the finished edge against the fireplace / nailing strips.

Alternatively, you can use J Style Trim or Metal Corner Bead to cover cut edges of the non-combustible facing material.

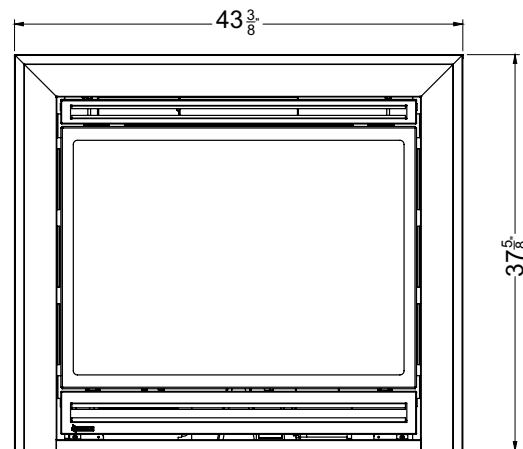
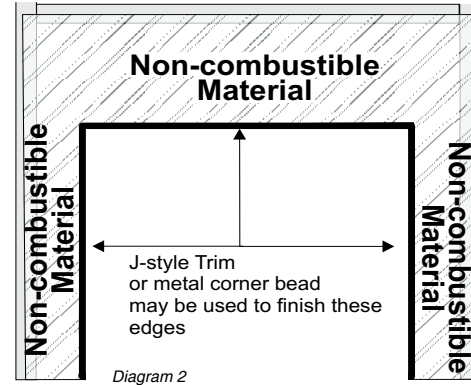


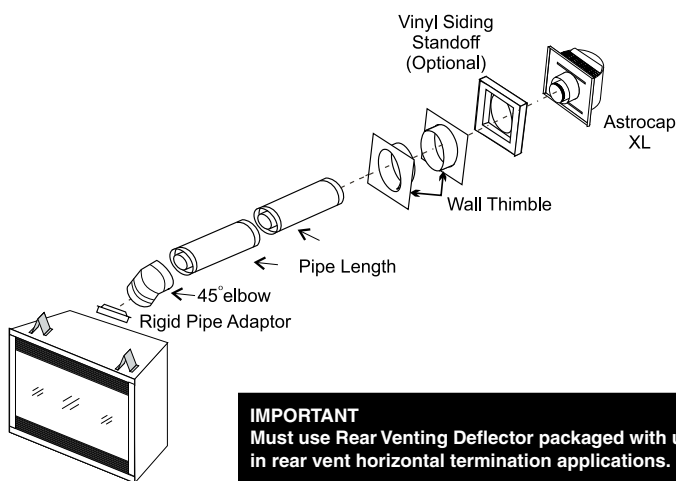
Diagram 3: Shown with optional Finishing Trim

Horizontal Terminations: ASTROCAP XL & RIGID REAR VENT KIT FOR CORNER INSTALLATIONS

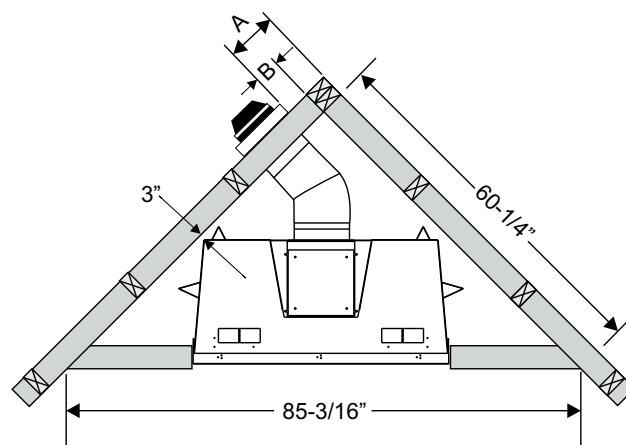
Designed for a minimum vent configuration when using a rear vent application with a horizontal termination in a corner installation.

Kit# 946-612 Includes:		
1	AstroCap XL	946-623/P
1	Rigid Pipe Adaptor	770-994
1	Vinyl Siding Standoff (Optional)	946-625
1	Wall Thimble	58DVA-WT
1	6" Galvanized Rigid Pipe	58DVA-06
1	8-1/2" Galvanized Pipe Extension	58DVA-08A
1	45° Galvanized Elbow	58DVA-E45
1	90ml MillPac	948-128

Placement of the Unit into the Corner	
Back Top Corner of Unit to Wall	3"
Inside Corner out along the Wall	60-1/4"
Across the Face of the Unit, Wall to Wall	85-3/16"
A - Clearance to Outside Corner	13"
B - Clearance to Inside Corner	5-1/2"



IMPORTANT
Must use Rear Venting Deflector packaged with unit in rear vent horizontal termination applications.



Basic Horizontal & Vertical Terminations:

Rigid Pipe Vent Systems offer a complete line of component parts for installation of both horizontal and vertical installations. Many items are offered in decorative black, as well as galvanized finish.

The minimum components required for a basic Horizontal Termination are:

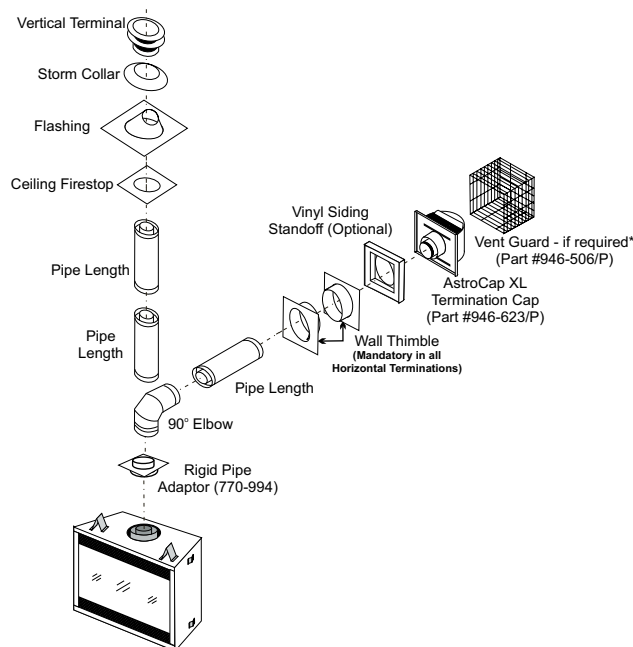
- 1 AstroCap XL Termination Cap
- 1 90° Elbow
- 1 Rigid Pipe Adaptor
- 1 Wall Thimble
- 1 Length of rigid pipe to suit wall thickness

The minimum components required for a basic Vertical Termination are:

- 1 Vertical Termination Cap
- 1 Rigid Pipe Adaptor
- 1 Lengths of pipe to adequately penetrate roof
- 1 Ceiling Firestop
- 1 Flashing
- 1 Storm Collar

Wall thickness is measured from the back standoffs to the inside mounting surface of termination cap. For siding other than vinyl, furring strips may be used, instead of a vinyl siding standoff, to create a level surface to mount the vent terminal. The Terminal must not be recessed into siding. Measure the wall thickness including furring strips.

If a Vinyl Siding Standoff is required (it must be used with vinyl siding), measure to outside surface of wall without siding and add 2 inches.



B41XTE-11 Gas Fireplace

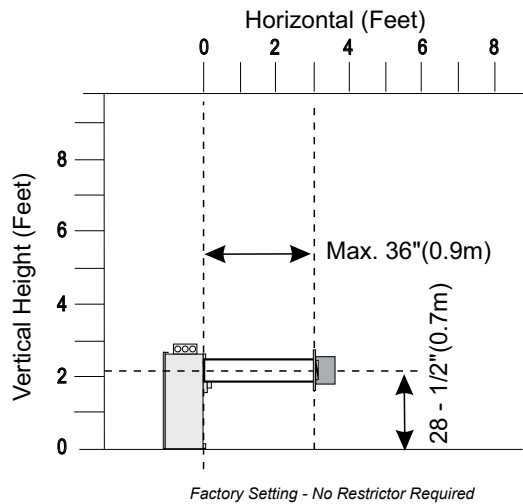
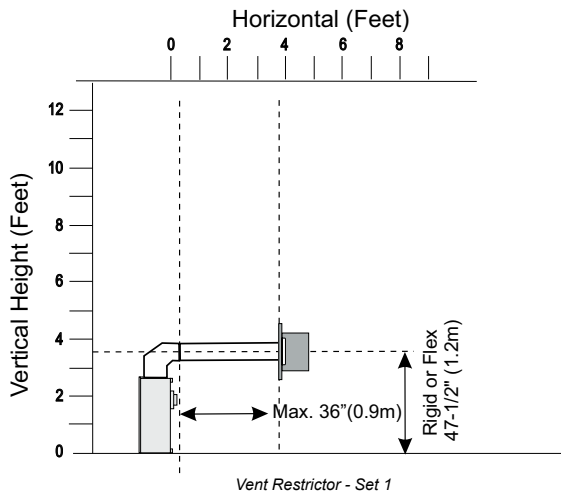
Venting Arrangements for Horizontal Terminations:

The diagrams show all allowable combinations of vent runs with 5" x 8" venting using the Regency direct vent system or rigid vent system. A vent guard should be used whenever the termination is lower than the specified minimum or as per local codes.

For horizontal terminations the Regency Direct Vent Flex System may be used for installations up to a maximum **continuous** vent length of 10ft (3.0m).

Note: Must use optional rigid pipe adaptor (Part # 770-994) when using Rigid Pipe vent systems.

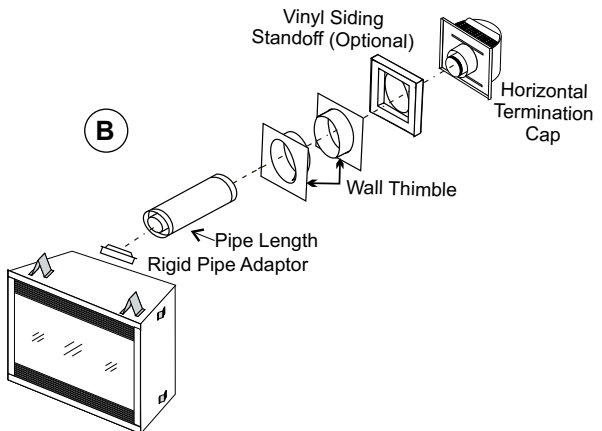
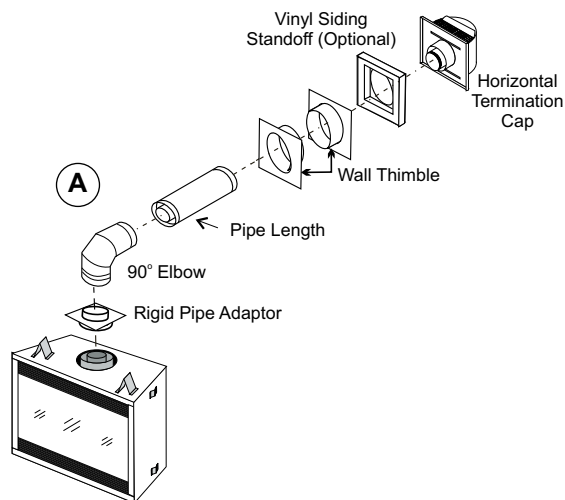
- Maintain clearance to combustibles.
- Horizontal vent must be supported every 3 feet.
- Firestops are required at each floor level and whenever passing through a wall.



Horizontal Terminations - Rigid Pipe 5 x 8:

A	Top Vent - No Vertical Rise <ul style="list-style-type: none"> • When venting with a 90° elbow directly off the unit Flex vent or approved Rigid Vent System • Max. 3 ft. horizontal run
B	Rear Vent w/ Horizontal Termination <ul style="list-style-type: none"> • Max. 3ft. horizontal run

IMPORTANT
Must use Rear Venting Deflector packaged with unit in rear vent horizontal termination applications.



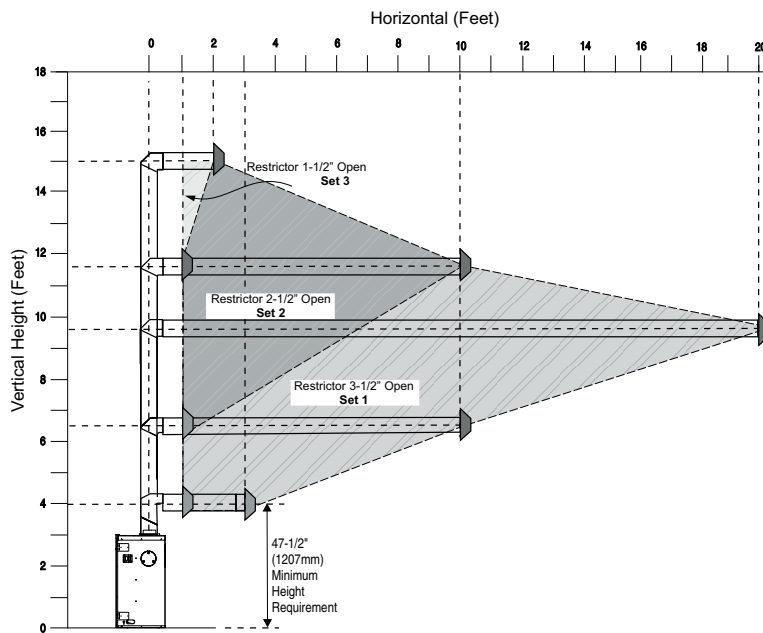
IMPORTANT
Must use Rear Venting Deflector packaged with unit in rear vent horizontal termination applications.

VENTING ARRANGEMENTS

FOR HORIZONTAL TERMINATIONS

The diagram shows all allowable combinations of vertical runs with horizontal terminations, using one 90° (two 45° elbows equal one 90° elbow).

- Maintain clearances to combustibles as listed in "Clearances" section
- Horizontal vent must be supported every 3 feet.
- Firestops are required at each floor level and whenever passing through a wall.
- A wall thimble is mandatory for all horizontal terminations due to high temperatures.



FOR VERTICAL TERMINATIONS

The shaded area in the diagram shows all allowable combinations of straight vertical and offset to vertical terminations, using two 90° elbows, with **Rigid Pipe Venting Systems** for Propane and Natural Gas. Two 45° elbows equal to one 90° elbow. Maximum of four 45° elbows allowed.

- Vent must be supported at offsets.
- Firestops are required at each floor level and whenever passing through a wall.
- Maintain clearances to combustibles as listed in the "Clearances" section.
- Refer to the "Vent Restrictor Position" section for details on how to change the vent restrictor from the factory setting to 3-1/2" opening, 2-1/2" opening and to 1-1/2" opening.

Note: Must use Rigid Pipe Adaptor (770-994) when using rigid pipe.

