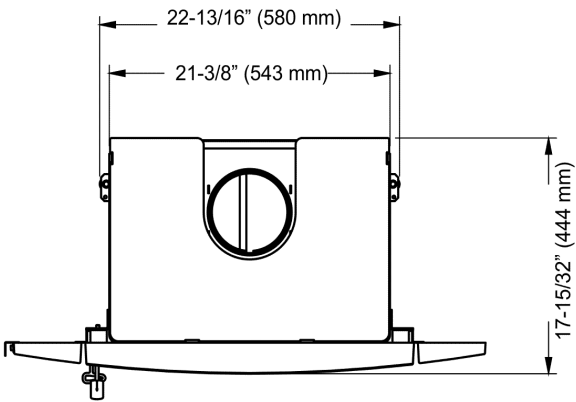
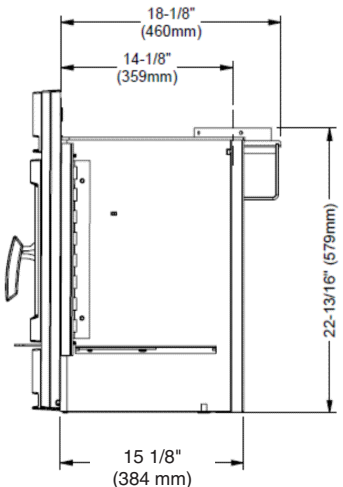


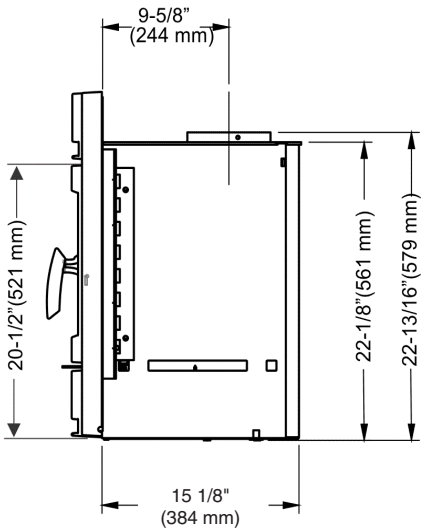
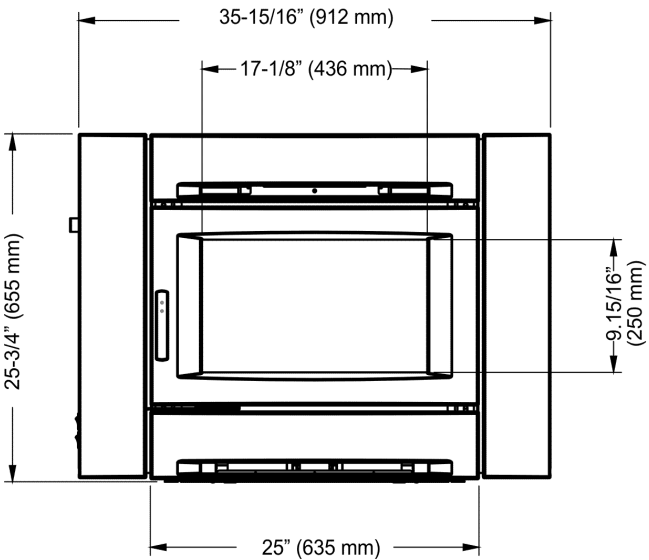
Unit Dimensions



Offset Flue Adapter



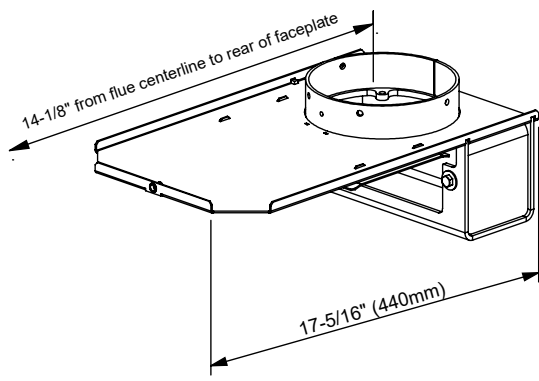
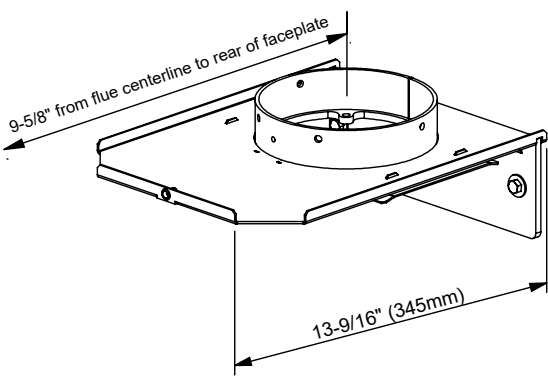
NOTE: Before assembling your Insert, use these dimensions to ensure appropriate clearances will be met (refer to Masonry and Factory Built Fireplace Clearances section).



Standard Flue Adapter

6" (152mm) Diameter
STANDARD FLUE ADAPTOR (172-942)

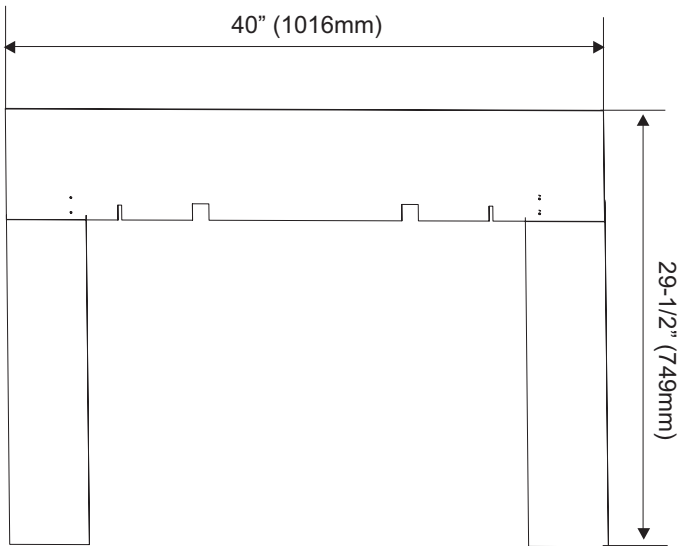
6" (152mm) Diameter
OFFSET FLUE ADAPTOR (172-946)



dimensions

Optional Backing Plate Dimensions

CI1150 Standard



CI1150 Custom - Minimum Dimensions

