



FLARE FIREPLACES

NOTICE



FOR OUTDOOR USE ONLY

WARNING: If the information in these instructions are not followed exactly, a fire or explosion may result causing property damage, personal injury or loss of life.

- Do not store or use gasoline or other flammable vapors and liquids in the vicinity of this or any other appliance.
- WHAT TO DO IF YOU SMELL GAS
 - Do not try to light any appliance.
 - Do not touch any electrical switch; do not use any phone in your building.
 - Immediately call your gas supplier from a neighbor's phone. Follow the gas supplier's instructions.
 - If you cannot reach your gas supplier, call the fire department.
- Installation and service must be performed by a qualified installer, service agency or the gas supplier.

NATIONAL
FIREPLACE
INSTITUTE



CERTIFIED

www.nficertified.org

We suggest that our gas hearth products be installed and serviced by professionals who are certified in the U.S. by the National Fireplace Institute® (NFI) as NFI Gas Specialists.

INSTALLER: Leave this manual with the appliance.

CONSUMER: Retain this manual for future reference.

Installation and service of this appliance MUST be performed by qualified certified NFI personnel.

Massachusetts: The piping and final gas connection must be performed by a licensed plumber or gas fitter in the State of Massachusetts. Also, see Carbon Monoxide Requirements Detector requirements on page 55

Flare Fireplaces Vent-Free Outdoor Installation Guide

Flare Double Corner, Left Corner, Right Corner, Front and See-Through v14.3

TABLE OF CONTENTS

FIREPLACE SAFETY WARNINGS	3
FLARE FIREPLACES – FRAMELESS IN EVERY WAY	13
SAFETY	13
<i>CSA CERTIFICATION</i>	<i>13</i>
MANUAL MODEL LIST & INTRODUCTION	14
OUTDOOR FIREPLACE INSTALLATION	16
OUTDOOR FIREPLACE ENCLOSURE REQUIREMENTS	16
DRAIN & VENTILATION PLANNING	18
CLEARANCES	19
FINISHING CLEARANCE	20
MANTEL CLEARANCE	21
ELECTRICAL REQUIREMENTS	22
ON/OFF SWITCH	22
ON/OFF REMOTE	22
ELECTRICAL AND GAS INLET	23
ELECTRICAL DRAWING FOR VENTLESS SYSTEM BOX	25
LED LIGHT	27
PROPANE GAS CYLINDER/TANK – DIRECTLY CONNECTED TO FIREPLACE	28
VENT FREE – FLARE FIREPLACES – SPECIFICATION	29
MEDIA ARRANGEMENTS	29
FIREPLACE WIND GUARD & RAIN COVERS	31
WIND GUARD GLASS	31
RAIN COVERS	32
REFLECTIVE BACK INSTALL	34
INSTALLATION STEPS	35
INSTALLATION PREPARATION	36
FIREPLACE UNPACKING	36
REPLACEMENT PARTS	36
MAINTENANCE	37
APPENDIX	38
MAINTENANCE LOG	38
WARRANTY POLICY	39

FIREPLACE SAFETY WARNINGS

WARNING

DANGER, CARBON MONOXIDE HAZARD!



This appliance can produce carbon monoxide, which has no odor. Using it in an enclosed space can kill you. Never use this appliance in an enclosed space such as a camper, tent, car, or home.

WARNING



Do not try to light this appliance without reading the “LIGHTING” instructions section of this manual. Do not store or use gasoline or other flammable liquids or vapors in the vicinity of this or any other appliance. An L.P. cylinder not connected for use must not be stored in the vicinity of this or any other appliance. If the information in these instructions is not followed exactly, a fire or explosion may result, causing property damage, personal injury, or death.

WARNING

DANGER! *IF YOU SMELL GAS*



- Shut off gas to the appliance.
- Extinguish any open flame.
- If odor continues, keep away from the appliance and immediately call your gas supplier or fire department.

WARNING



FOR OUTDOOR USE ONLY!

WARNING



DANGER! *HOT GLASS*

Hot glass and surface will cause burns. Do not touch glass until cooled. Never allow children to touch glass or surface surrounding the fireplace.

WARNING

Cover must be removed when in operation.



DANGER



Carbon Monoxide Hazard

This appliance can produce Carbon Monoxide which has no odor. Using it in an enclosed space can kill you. Never use this appliance in an enclosed space such as a camper, tent, car, or home.

WARNING

Improper installation, adjustment, alteration, service, or maintenance can cause property damage, personal injury, or loss of life. Refer to the owner's installation manual provided with this appliance. Installation and service must be performed by a qualified installer, service agency or the gas supplier

WARNING

Do not store or use gasoline, or other flammable vapors and liquids, in the vicinity of this or any other appliance. An LP-cylinder not connected for use shall not be stored in the vicinity of this or any other appliance.

SAFE OPERATING PRACTICES

- This appliance is hot when operating and can cause severe burns if contacted.
- Installation and repair should be done by a qualified service person. The appliance should be inspected before use and at least annually by a qualified service person. More frequent cleaning may be required, as necessary. It is imperative the control compartment, burners and circulating air passageways of the appliance be kept clean.
- Do not operate appliance before reading and understanding operating instructions. Failure to operate appliance according to operating instructions could cause fire or injury.
- Risk of burns. The appliance should be turned off and cooled before servicing.
- Do not install damaged, incomplete or substitute components.
- Young children should be carefully supervised when they are in the appliance. Toddlers, young children, and others may be susceptible to accidental contact burns. A physical barrier is recommended if there are at risk individuals in the vicinity. To restrict access to an appliance or stove, install an adjustable safety gate to keep toddlers, young children and other at-risk individuals out of the vicinity and away from hot surfaces.
- Ensure you have incorporated adequate safety measures to protect infants/toddlers from touching hot surfaces
- Under no circumstances should this appliance be modified.
- Keep the packaging material out of reach of children and dispose of the material in a safe manner. As with all plastic bags, these are not a toy and should be kept away from children and infants.
- **Do not leave appliance unattended when in use.**
- This appliance must not be used for cooking.
- This unit is not for use with solid fuel.
- Improper installation, adjustment, alteration, service, or maintenance can cause injury or property damage. Read the installation, operating and maintenance instructions thoroughly before installing or servicing this equipment.
- This appliance shall be used ONLY outdoors in a well-ventilated space and shall NOT be used inside a building, garage, or any other enclosed area.
- Cylinders must be stored outdoors in a well-ventilated area out of reach of children. Disconnected cylinders must have threaded valve plugs tightly installed and must not be stored in a building, garage, or any other enclosed area.

- Storage of this appliance indoors is permissible only if it has been disconnected from its fuel supply (Natural gas line or LP gas cylinder).
- If it is evident there is excessive abrasion or wear, or the hose is cut, it must be replaced prior to the appliance being put into operation.
- Clothing or other flammable materials should not be hung from the appliance or placed on or near the appliance.
- Any guard or other protective device removed for servicing the appliance must be replaced prior to operating the appliance.
- Inspect the fuel supply connection for signs of leakage (Including the hose for LP models) before each use of the appliance.
- The pressure regulator and hose assembly supplied with LP models must be used. Replacement pressure regulators and hose assemblies must be those specified in this manual.
- The LP gas supply cylinder used with LP models must be constructed and marked in accordance with the specifications for LP-gas cylinders as required by the U.S. Department of Transportation (DOT) or the Canadian Transport Commission (CTC).
- The LP gas cylinder supply system must be arranged for vapor withdrawal.
- The LP-gas cylinder used must include a collar to protect the cylinder valve.
- When an LP model is not in use, the LP-gas must be turned off at the supply cylinder.
- To extend the life of your appliance, protect and cover it from the elements when not in use.
- This product must be installed by a licensed plumber or gas fitter when installed within the Commonwealth of Massachusetts

WARNING

CAUTION: The gas pressure regulator provided with this appliance must be used. This regulator is set for an outlet pressure of 7-8 (NG) 10-11 (LPG) inches water column

WARNING

When turning fireplace on/off visually confirm flames start and extinguish completely before leaving appliance.

WARNING

CAUTION! *SAFE UNPACKING*



During unpacking and assembly, we recommended you wear work gloves and safety glasses for your protection. Although we make every effort to make the assembly process as problem free and safe as possible, it is characteristic of fabricated steel parts that the edges and corners might be sharp and could cause cuts if handled incorrectly.

WARNING

This appliance is designed for non-combustible enclosures only and must be installed and serviced by a qualified installer to local codes.

WARNING

Minimum clearance to combustibles must be maintained or a serious fire hazard could result.

WARNING

Use only non-combustible materials (certified to ASTM E-136) such as steel studs, cement board, ceramic tile, marble, paint etc. When adding finishing materials to the appliance. Do not use wood, or drywall.

WARNING

You must have clear and easy access to the on/off valve after the appliance is installed and connected to the gas supply to safely turn off the burner.

WARNING

Mantel temperatures will rise above normal temperatures and may be hot to the touch.

WARNING

Cover must be removed when burner is in operation.

CAUTION! Wind Cover

External Wind Covers should only be used when the fireplace is not operating

WARNING

RISK OF FIRE, EXPLOSION OR ASPHYXIATION, ENSURE THERE ARE NO IGNITION SOURCES SUCH AS SPARKS OR OPEN FLAMES.

The installation must be performed by a licensed gas fitter, and all connections must be leak tested before operating the appliance.

- All gas connections must be contained within the appliance when complete.
- High pressure will damage the valve, disconnect gas supply piping before testing gas line at test pressures above 1/2 PSIG.
- Connect the gas supply in accordance to local codes. In the absence of local codes, install to the current CAN/CSA B149.1 Installation Code in Canada or to the current National Fuel Gas Code, ANSI Z223.1/NFPA 54 in the United States
- Leak test all the connections by brushing on a soap and water solution. These connections can be accessed by removing the burner. (See burner removal instructions.)
- Make sure cylinder valve is in its full off position. (Turn clockwise to stop).
- Check cylinder valve features to ensure it has proper external mating threads. (Cylinder Valve Marked: USE WITH TYPE 1)
- Inspect hose shipped with the unit for damage. Never attempt to use damaged or plugged equipment. See your local LP Gas Dealer for repairs.
- When connecting regulator assembly to the cylinder valve, hand tighten black QCC1 nut clockwise to a positive stop. DO NOT use a wrench to tighten. Use of a wrench may damage the quick closing coupling nut and result in a hazardous condition.
- Locate the hose out of pathways where people may trip over it or in areas where the hose may be subject to accidental damage.
- Open cylinder valve fully (counterclockwise). Turn the on/off valve at the unit slowly to the on position and use a soapy water solution to check all connections for leaks as indicated in the diagrams before attempting to light the appliance. If a leak is found, turn tank valve off and do not use the appliance until repairs can be made.
- Use only a ground fault interrupter (GFI) protected circuit with this outdoor gas appliance.
- Ensure that all power sources have been shut off prior to beginning any electrical work.
- Do not use this appliance if any part has been under water. Call a qualified
- Service technician immediately to have the appliance inspected for damage to the electrical circuit.
- All wiring should be done by a qualified electrician and shall follow local codes. In the absence of local codes, use the current csa22.1 Canadian electric code in Canada or the current national electric code ANSI/NFPA no. 70 in the united states.
- Children and adults should be alerted to the hazards of high surface temperatures and should stay away from the appliance to avoid burns or clothing ignition.
- Children should be carefully supervised when they are in the appliance.

- **Clothing or other flammable materials should not be hung from the appliance or placed on or near the appliance. The area above the enclosure may be extremely hot. Direct contact with these surfaces should be avoided to prevent burns or clothing ignition.**
- **Any guard or protective device removed for servicing the appliance must be replaced prior to operating the appliance.**
- **Installation and repair should be done by a qualified service person.**
- **The appliance should be inspected before each use and at least annually by a qualified service person. More frequent cleaning may be required, as necessary. It is imperative that the control compartment, burners and circulating air passageways of the appliance be kept clean.**
- **Never use the appliance while it is raining.**
- **Always turn the appliance off when raining.**
- **Never splash any liquid on the glass / glass embers when the appliance is operating.**
- **The glass / glass embers will be extremely hot while operating, never try to touch them.**
- **Always ensure the appliance stands firmly on level ground.**
- **Never use the appliance if the burner is damaged. Inspect the burner before each use. Ensure that no debris such as leaves; grass or other objects have entered or are on the appliance. If the burner is damaged it must be replaced prior to using the appliance with a replacement burner specified by your Flare dealer.**
- **Inspect the hose assembly before each use. If there is evidence of excessive abrasion or wear, or if the hose is damaged it must be replaced prior to using the appliance with a replacement hose assembly specified by your Flare dealer.**

WARNING

To avoid the possibility of burns conversions should only be done when the appliance is cool. Ensure the burner is turned off. Turn the gas off at source and disconnect the appliance before beginning conversion.

WARNING

Glass embers may have sharp edges wear safety glasses and gloves when handling.

WARNING

This conversion must be performed by a licensed gas fitter, and all connections must be leak tested before operating the appliance.

WARNING

If these instructions are not followed exactly, a fire causing death or serious injury may occur.

WARNING

A fire will result if the gas supply hose contacts the underside of the appliance.

WARNING

Glass embers may have a fine oil residue that needs to be cleaned prior to installation. Clean the glass with mild dish soap, drain, rinse thoroughly and dry before installing. Glass embers may have sharp edges, wear safety glasses and gloves when handling. Do not change or substitute the glass ember material provided with this appliance. If replacing, use only replacement glass embers available from your local authorized dealer/distributor. Real rocks must not be used in this appliance. Heat will cause them to explode.

WARNING

Keep face and body away from burner area when lighting. Ensure burner controls are in the off position. Slowly turn on the gas supply valve. The propane cylinder is equipped with an excess flow device. Unless burners are turned off prior to turning the cylinder on, only small flames and low heat will be achievable. If the burner does not light within 10 seconds, turn the valve off and wait 5 minutes for any gas to dissipate before repeating the procedure.

WARNING

- **Never use this appliance for other than the intended use. Do not use this appliance to prepare food.**
- **You must have clear and easy access to the on/off valve AFTER the appliance is installed and connected to the gas supply to safely turn off the burner.**
- **Never use this appliance for other than the intended use. Do not use this appliance to prepare food. N**
- **You must have clear and easy access to the on/off valve AFTER the appliance is installed and connected to the gas supply to safely turn off the burner.**
- **Do not bypass thermocouple safety.**
- **Do not operate the appliance if any part has been under water. Immediately call a qualified service technician to inspect the appliance and replace any part of the control system and any gas control, which has been underwater.**
- **the gas control is exposed to water in any way, DO NOT try to use the appliance. The gas control must be replaced.**
- **Hose: Check for abrasions, melting, cuts, and cracks in the hose. If any of these conditions exist, do not use the appliance. Have the part replaced by your fireplace dealer or qualified gas installer.**
- **To avoid the possibility of burns, maintenance should be done only when the appliance is cool. Avoid unprotected contact with hot surfaces. Ensure burner is turned off. Turn gas off at source and disconnect the appliance before servicing. Clean the appliance in an area where cleaning solutions will not harm decks, lawns, or patios. Do not use flammable, corrosive, or abrasive cleaners.**
- **The appliance area must be clear and free from combustible materials, gasoline and other flammable vapors and liquids. Do not obstruct the flow of combustion and ventilation air. Keep the ventilation opening of the cylinder enclosure free and clear of debris.**
- **Disconnect the power supply from the appliance before servicing. Turn off the appliance completely and let cool before servicing. Only a qualified service person should service and repair this electric appliance.**

The appliance has been designed with several safety features, which include a safety valve. If the burner flame is extinguished the appliance will automatically shut down. Any modification to the appliance may compromise the safety of this appliance. Special concern is as follows.

Initial Lighting: When lit for the first time, the appliance emits a slight odor. This is a normal temporary condition caused by the “burn-in” of internal paints and lubricants used in the manufacturing process and does not occur again. Simply run the main burner on high for approximately one-half hour.

FLARE FIREPLACES – FRAMELESS IN EVERY WAY

Flare Fireplaces is where innovation, quality and luxury come together to form new ideas.

By combining superior raw materials, contemporary design, creative technology, and a frameless way of thinking, we have created a full line of direct-vent fireplaces that are luxurious, simple to operate, and efficient.

Our Fireplaces are distinguished by their clean design, superior build quality and unique features.

SAFETY

CSA CERTIFICATION

All our fireplaces are tested and have been certified to meet stringent CSA guidelines, ensuring optimum quality, safety, and efficiency.

All our fireplaces have been certified and tested to work with Natural Gas or Propane.

Certification Information:

ANSI Z21.97/CSA 2.41 for Outdoor Gas Fireplaces

All fireplaces are rated for commercial and residential use.



The CSA Mark

The Canadian Standards Association (CSA) is a nonprofit association serving business, industry, government and consumers in Canada and the global marketplace. Among many other activities, CSA develops standards that enhance public safety.

A Nationally Recognized Testing Laboratory, CSA is familiar with U.S. requirements. **According to OSHA regulations, the CSA-US Mark qualifies as an alternative to the UL Mark.**

Here are some areas where CSA standards are applied:

- Canadian Electrical Code, Part III-Outside Wiring
- Electrical Engineering Standards
- Electromagnetic Compatibility



MANUAL MODEL LIST & INTRODUCTION

The Following manual should be used for the following Flare Fireplaces 50 to 100 inch long.

The Flare Fireplaces Outdoor Vent-Free fireplace can be ordered in the following configurations:

- Flare Vent-Free Front 50-100 “
- Flare Vent-Free See-Through 50-100”
- Flare Vent-Free Corner Right & Left 50-100”
- Flare Vent-Free Double Corner 50-100”

All Outdoor Vent Free Flare Fireplaces are made using a combination of 3.16 & 3.04 stainless steel

All models share the same gas valve system, gas connection, glass type and burner, simplifying installation and operation.

All warnings and instructions apply to all models.

Refer to the model name for specific model, [clearance and installation](#) information.

1. Installer must leave instruction manual with owner after installation.
2. Installer must have owner fill out and mail registration card supplied with this fireplace or register online at <https://www.flarefireplaces.com>
3. Installer should show owner how to start and operate outdoor fireplace. Always consult your local Building Department regarding regulations, codes or ordinances which apply to the installation of an outdoor gas fireplace.

This series is design certified in accordance with **ANSI Z21.97/CSA 2.41** for **Outdoor** Gas Fireplaces and should be installed according to these instructions. Any alteration of the original design, installing it other than as shown in these instructions or using a type of gas not shown on the rating plate, is the responsibility of the person and company making the change.

Installation **MUST** comply with local, regional, state, and national codes and regulations. Consult insurance carrier, local building inspector, fire officials or authorities having jurisdiction over restrictions, installation inspection and permits.

This installation must conform to local codes. In the absence of local codes, you must comply with the National Fuel Gas Code, ANSI Z223.1-latest edition in the U.S.A. and the CAN/CGA B149 Installation Codes in Canada.

Improper installation, adjustment, alteration, service, or maintenance can cause injury or property damage. For assistance or additional information, consult a qualified service technician, service agency or your dealer.

Water & Moisture Resistance

This outdoor fireplace will shed moderate amounts of water but is not waterproof. Water and condensing water vapor may enter the chase under certain conditions. Do not locate appliance where it can get excessively wet.

The fireplace will not perform as an exterior wall. Moisture penetration must be considered for construction that places the fireplace in structure walls or on moisture sensitive surfaces. When installed on exterior walls: Flare Fireplaces recommends the fireplace chase be constructed outside the structure's weather envelope. Where the platform meets the wall, use a flashing detail like that required for attached decks.

Chase platforms, including hearths should slope away from the structure at 1/4 in. per foot. The fireplace can be shimmed level. When installed on surfaces where water may collect or cause damage: Flare Fireplaces recommends a slope of 1/8 to 1/4 in. per foot towards the drain port suggested.

Hearths should slope away from the front of the fireplace and chase at 1/8 in. to 1/4 in. per foot. Metal safety strips must be on top of any combustible hearth materials used for moisture management. When purchasing a firebox or fireplace we recommend you also buy a weather cover to protect the unit from moisture. Never install a burner where moisture cannot drain off easily. We recommend a weather barrier to protect the burner from moisture.

Do not use this appliance if any part has been under water. Immediately call a qualified service technician to inspect the unit and to replace any part of the control system and any gas control, which has been underwater.

Qualified Installing and Installers

Installation and replacement of gas piping, gas utilization equipment or accessories and repair and servicing of equipment shall be performed only by a qualified agency. The term "qualified agency" means any individual, firm, corporation or company which either in person or through a representative is engaged in and is responsible for (a) the installation or replacement of gas piping or (b) the connection, installation, repair or servicing of equipment, who is experienced in such work, familiar with all precautions required and has complied with all the requirements of the authority having jurisdiction.

Commonwealth of Massachusetts: The installation must be made by a licensed plumber or gas fitter in the Commonwealth of Massachusetts

The installation must conform with local codes or, in the absence of local codes, with the National Fuel Gas Code, ANSI Z223.1. *

*Available from the American National Standards Institute, Inc. 1430 Broadway, New York, N.Y. 10018.

High Altitudes

For altitudes/elevations above 2,000 feet (610m), ratings should be reduced at the rate of 4 percent for each 1,000 feet (305m) above sea level.

Well Head Gas Installations

Some natural gas utilities use "well head" gas. This may affect the Btu output of the unit. Contact the gas company for the heating value. Contact the manufacturer or your gas company before changing spud/orifice size.

OUTDOOR FIREPLACE INSTALLATION

When selecting a location for your appliance it is important to ensure clearances to adjacent combustibles are met. This appliance is intended for installation on an outdoor patio or in your yard. It is highly recommended that this appliance be installed in a sheltered area (following the guidelines outlined below). Direct wind will cause an erratic flame and possible pilot or main burner outage. An erratic flame could also lead to excessive black soot, this condition is not a safety issue but is visually undesirable.

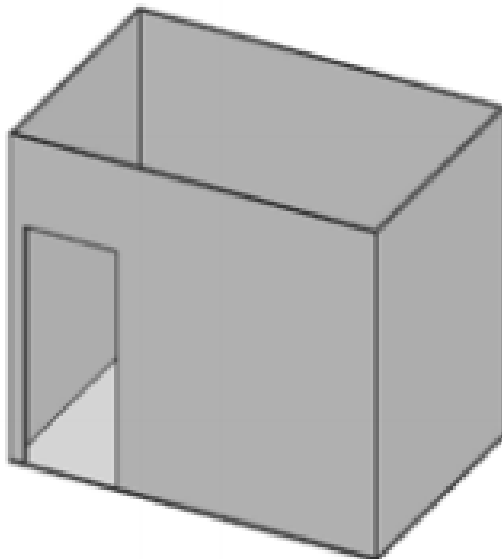
1. Fireplace Gas type: Natural Gas or Propane.
2. Combustibles proximity and clearances to the fireplace.
3. 120V GFCI power outlet or direct connection for the electronic ignition and LED lights.
4. Gas shutoff valve location.
5. Verify ventilation meets at least minimum requirements
6. Wind and rain direction
7. Drainage under fireplace.
8. Drain pan and weather door accessories.

OUTDOOR FIREPLACE ENCLOSURE REQUIREMENTS

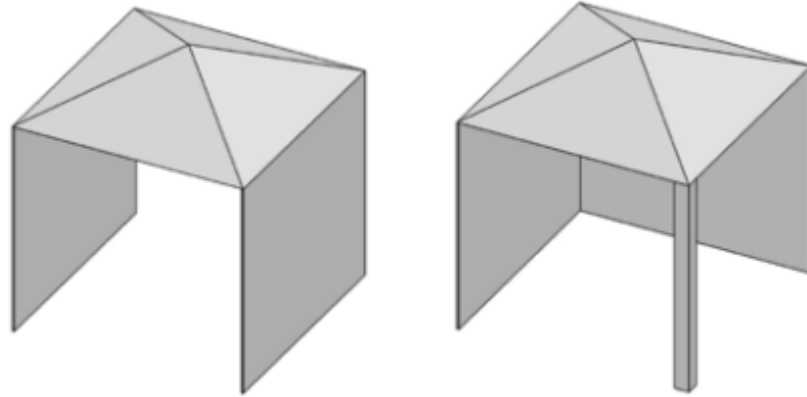
Do not install fireplace until all necessary provisions are made for combustion and ventilation air. Consult the written instructions provided with the fireplace for information concerning combustion and ventilation air. In the absence of instructions, refer to the National Fuel Gas Code, ANSI Z223.1/NFPA 54, Air for Combustion and Ventilation, or applicable local codes.

Installation in partial enclosures must conform with one of the following:

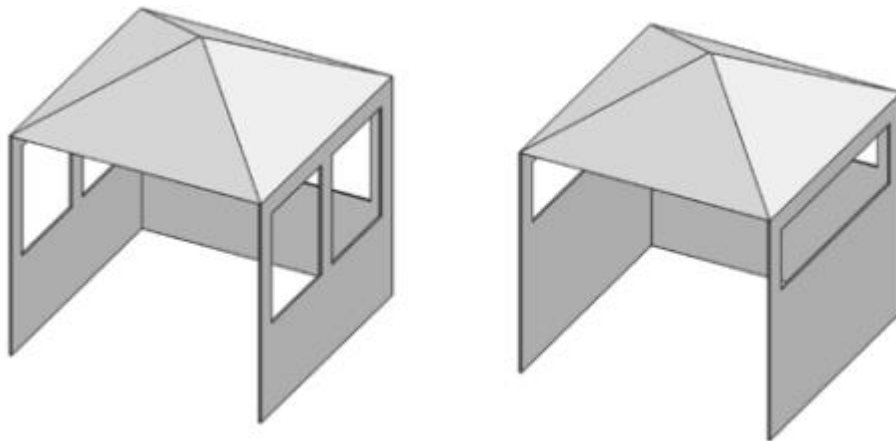
With walls on all sides, but at least one permanent opening at ground level and no overhead cover



Within a partial enclosure which includes an overhead cover and no more than two side walls. These side walls may be parallel, as in a breezeway or at right angles to each side



Within a partial enclosure which includes an overhead cover and three sidewalls if 30 percent or more of the horizontal periphery of the enclosure is permanently open.



WARNING !

This fireplace is intended for installation on an outdoor patio or yard. This fireplace shall be used only outdoors in a well-ventilated space and shall NOT be used in a building, garage, or other enclosed area. This fireplace cannot be installed with an opening to the inside of a residence.

WARNING !

Connection directly to an unregulated L.P. tank can cause an explosion.

Risk of fire, explosion, or asphyxiation. Ensure no ignition, flame or spark are near during installation. This includes cigarettes or cell phones.

DRAIN & VENTILATION PLANNING

Flare Fireplaces recommends leaving the included Storm Doors on the fireplace when it is not in use, in order to prevent any accumulation of moisture inside the unit.

Although the fireplace is designed to operate outdoors safely, rain and other sources of moisture may enter the fireplace cavity, which may cause water to collect inside the chase and base of the unit within the fireplace enclosure.

When choosing a location for your fireplace, care must be taken to avoid areas where excessive moisture or running water may become an issue. To prevent moisture or water from collecting underneath the fireplace, the builder must provide a means to drain water from under the fireplace. This needs to happen before positioning the fireplace in its location. It is recommended that a sealed corrosion resistant drain pan with provisions for drainage be positioned underneath the fireplace. Flare has over 55 models of fireplaces, so the drainage size will vary from project to project. The depth of the fireplaces does not change between each model, however the length does. We must account for the length of each individual fireplace to ensure the drainage pan will collect all running water that may accrue inside this unit.

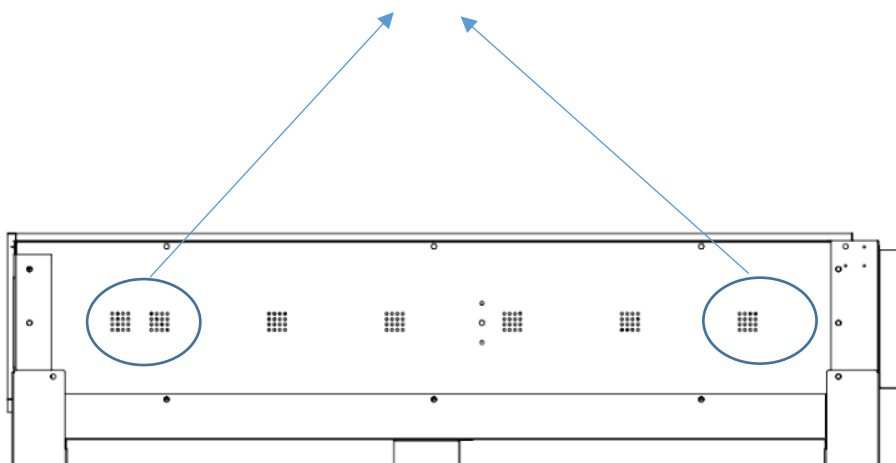
When planning for the installation of the fireplace the framing height must be increased to accommodate a drain pan and any additional drainage piping required. The drain pan needs to be constructed from corrosion resistant metal, or other suitable materials such as an ice and water shield membrane. A means of drainage out of the drain pan such as piping, or weep holes must also be provided. A slope of 1/4" (6mm) per foot towards the drain port is recommended. **Note: The fireplace must be installed on a level surface to ensure proper drainage.** It is the responsibility of the builder to ensure proper drainage provisions have taken place. The Flare unit drains from the center of the fireplace, using slotted holes provided. You can see a drawing of this below.

Ventilation under the unit is also needed to allow air movement and proper evaporation of moisture under the fireplace. Please plan for an area of 70 Sq. inch for air ventilation under the fireplace. Ventilation will allow the chase to dry and prevent moisture issues.

Flare Fireplaces recommend building a rectangular frame only platform, studs only, to allow water to exit the fireplace and drop down to a slope or drain pan.

Note: Although the builder should plan for a slot to drain water, the fireplace must be installed leveled.

Fireplace bottom view – drain plug

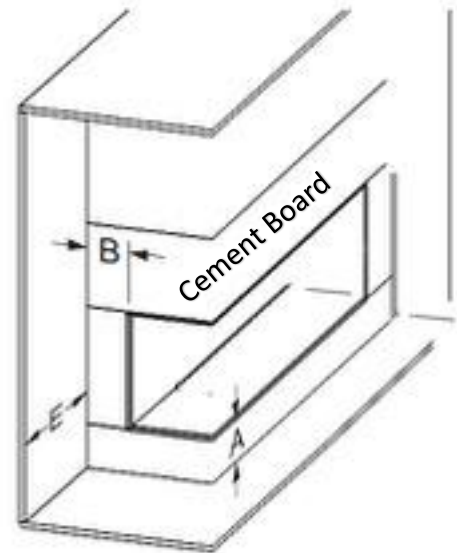
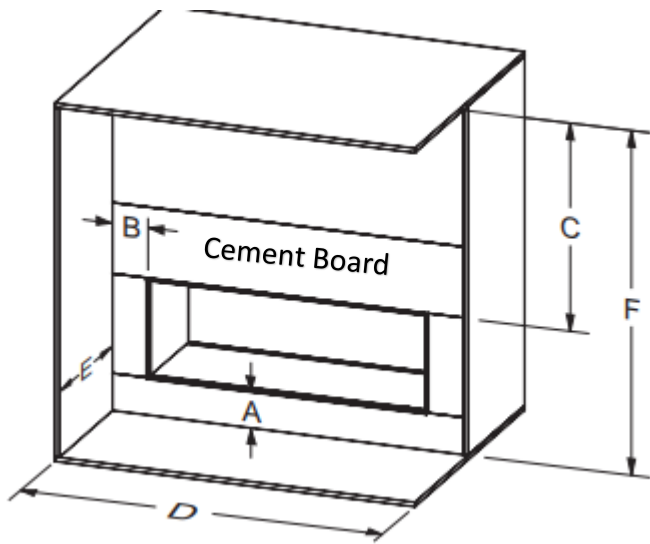


CLEARANCES

Clearance to combustible framing

- Top4"
- Bottom.....0"
- Side.....2"
- Back2"
- Perpendicular Sidewall combustibles.....36"
- Top of unit to ceiling36"
- Front of unit to combustibles.....36"

Clearance to combustible finishing

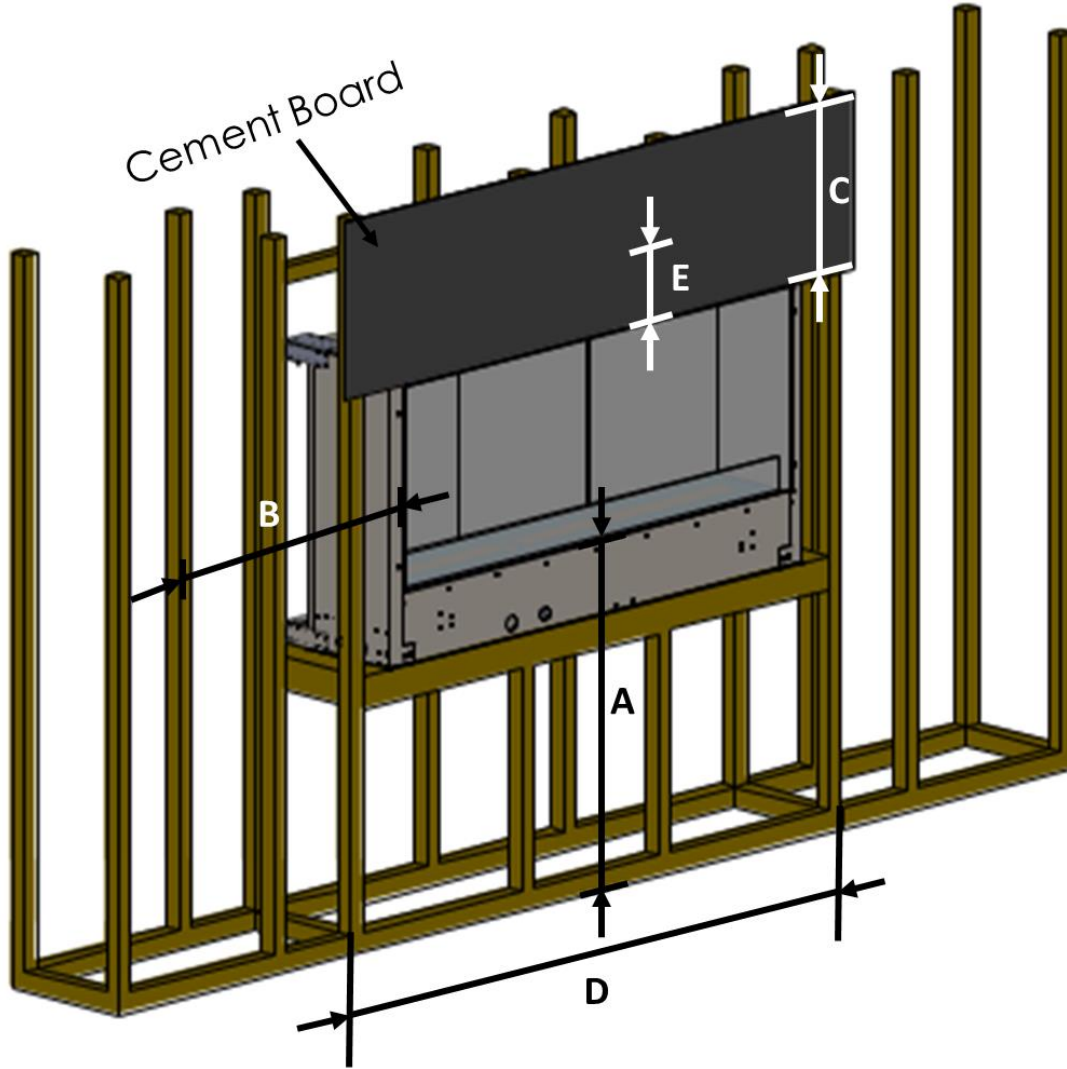


Index	Letter Description	Dimension from Fireplace Opening (in inches)
A	From ground or other combustible surface	11"
B	From Side Walls	6"
C	From Ceiling (minimum)	36"
D	Alcove Width (minimum)	Fireplace Size + 12"
E	Alcove Depth (maximum)	24" (610mm) Maximum
F	Noncombustible board above fireplace	8"

Minimum clearance to the ceiling does not apply when the unit is installed with no overhead construction.

FINISHING CLEARANCE

8" minimum of non-combustible material is required above the fireplace opening (E)

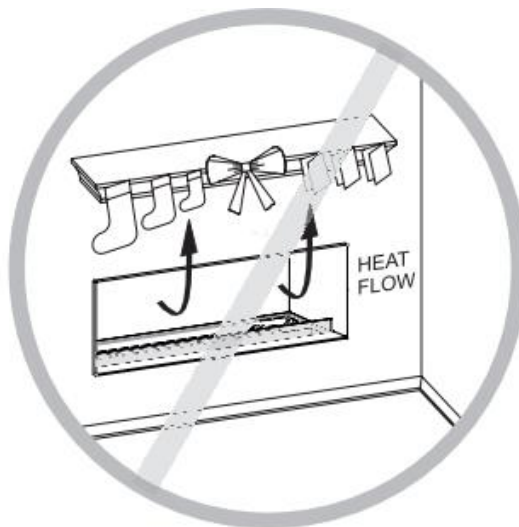
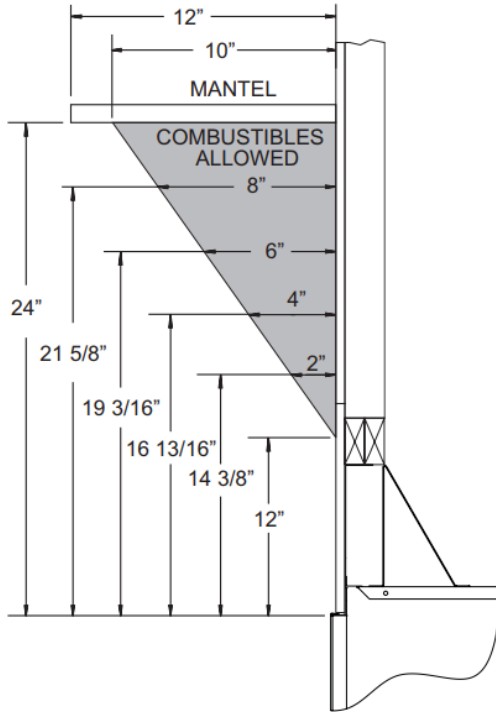


Index	Letter Description	Dimension from Fireplace Opening (in inches)
A	From ground or other combustible surface	11"
B	From Side Walls	6"
C	From Ceiling (minimum)	36"
D	Alcove Width (minimum)	Fireplace Size + 12"
E	Alcove Depth (maximum)	24" (610mm) Maximum
F	Noncombustible board above fireplace	8"

MANTEL CLEARANCE

The use of non-combustible material for mantel is recommended. If using combustible materials, follow the chart below. Note: When using paint or lacquer to finish the mantel, the paint or lacquer must be heat resistant to prevent discoloration.

The Following clearance chart can be used for non-combustible & combustible mantel



Warning! Do not attach combustible material to the mantel of your fireplace. This is a fire hazard.

ELECTRICAL REQUIRMENTS

- Use only a Ground Fault Interrupter (GFI) protected circuit with this outdoor gas appliance installed near the fireplace.
- Wiring to the junction box must be metal clad or enclosed in a conduit and must be approved for outdoor use.
- LED and electrical ignition will be using a single 15A 110V GFI protected circuit.

Use only a Ground Fault Interrupter (GFI) protected circuit with this outdoor gas appliance.

ENSURE THAT ALL POWER SOURCES HAVE BEEN SHUT OFF PRIOR TO BEGINNING ANY ELECTRICAL WORK.

DO NOT USE THIS APPLIANCE IF ANY PART HAS BEEN UNDER WATER. CALL A QUALIFIED SERVICE TECHNICIAN IMMEDIATELY TO HAVE THE APPLIANCE INSPECTED FOR DAMAGE TO THE ELECTRICAL CIRCUIT.

RISK OF ELECTRICAL SHOCK OR EXPLOSION.

ALL WIRING SHOULD BE DONE BY A QUALIFIED ELECTRICIAN AND SHALL BE IN COMPLIANCE WITH LOCAL CODES. IN THE ABSENCE OF LOCAL CODES, USE THE CURRENT CSA22.1 CANADIAN ELECTRIC CODE IN CANADA OR THE CURRENT NATIONAL ELECTRIC CODE ANSI/NFPA NO. 70.

ON/OFF SWITCH

The Flare vent free fireplace is an ON/OFF system. To start the fireplace, the GFCI outlet or GFCI direct electrical connection to the fireplace, will need to be energized with 110V. The use of a switched power source (Light switch or timer) is recommended. To shut the fireplace off, the 110V power will need to be OFF.

The GFCI power source to the Fireplace should be controlled by a wall switch, wired by an electrician, to control the 110V outlet or direct power, That the Fireplace is connected too.

The use of a hard-direct wire to the fireplace is the recommended way to hook up a vent free fireplace. The Switch will allow to stop and start the fireplace as needed.

ON/OFF REMOTE

The Flare can be started and stopped using any 3rd party outdoor remote system but is **NOT RECOMMENDED**. Please see the warning below. The remote receiver is connected to the outlet the fireplace is plugged into. You will then use the connected remote to control power to the outlet the fireplace is plugged into.

Please note that if you are using a remote switch you may require access to the outlet post installation.

WARNING:

PLEASE DO NOT OPERATE THE OUTDOOR FIREPLACE USING ANY SMART DEVICE OR 3RD PARTY AUTOMATION SYSTEMS WHILE NOT IN DIRECT SIGHT OF THE FIREPLACE. ALL OUTDOOR FLARE FIREPLACES USE AN OPEN FLAME PRESENTATION & REQUIRE ITS OPERATOR TO BE PRESENT FOR OPERATION OF THE FIREPLACE

Warning! DO NOT TRY TO IGNITE THE UNIT WITH THE FIREPLACE COVER ON

ELECTRICAL AND GAS INLET

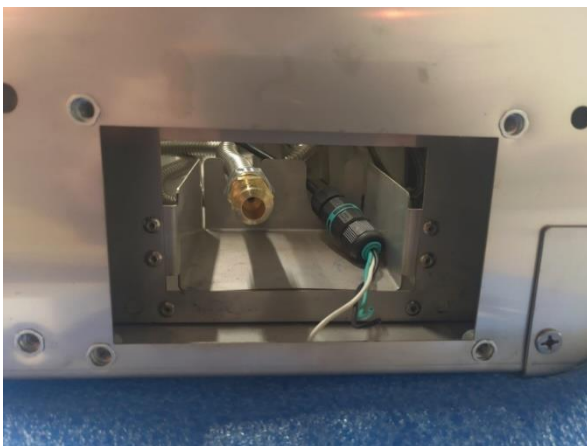
Power Cable Information:

- 3 wire Cable according to the USA standard color Green (GND), Black (Line), white (Neutral).
- 16 AWG up to 10A, AC 110v. The use of a dedicated power source is recommended. **GFCI protected 15A.**
- Waterproof connector is prewired with plastic leads that will need to be replaced upon connection. Once connected, make sure the waterproof connector is contained inside the unit. All future services can be done from within the unit after this step.

Service Access Panel:

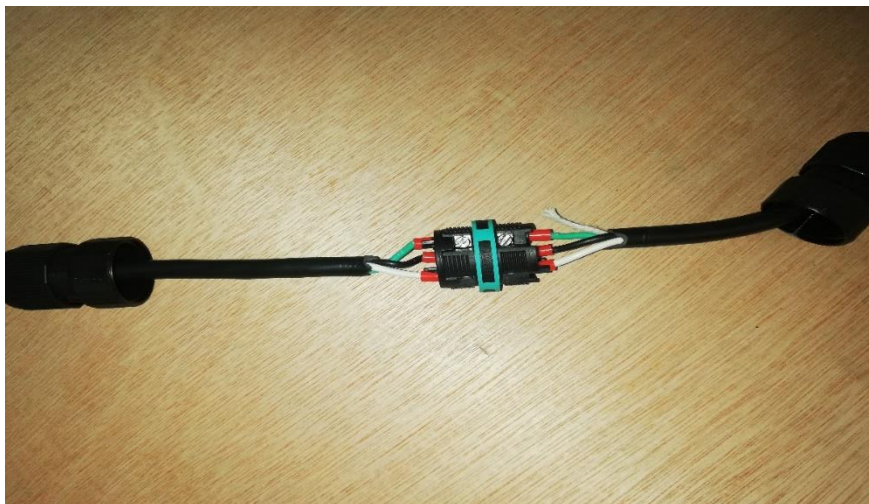
Vent Free Fireplaces have a service panel for installing the inlet gas & power. This panel comes on the left side of the unit (when facing it) but can be rerouted to the right side for convenience at the jobsite. This panel can be accessed by unscrewing the 4 screws that hold the panel cover as showing in the picture below. A gas hard pipe will need to be run to the inside of the unit as shown (All future servicing for this unit can be done from within the unit once this step is complete):

**THE GAS HARD PIPE MUST
BE RAN TO THE INTERIOR
OF THE UNIT. ALL FLEX PIPE
MUST BE CONTAINED
WITHIN THE UNIT ITSELF.**

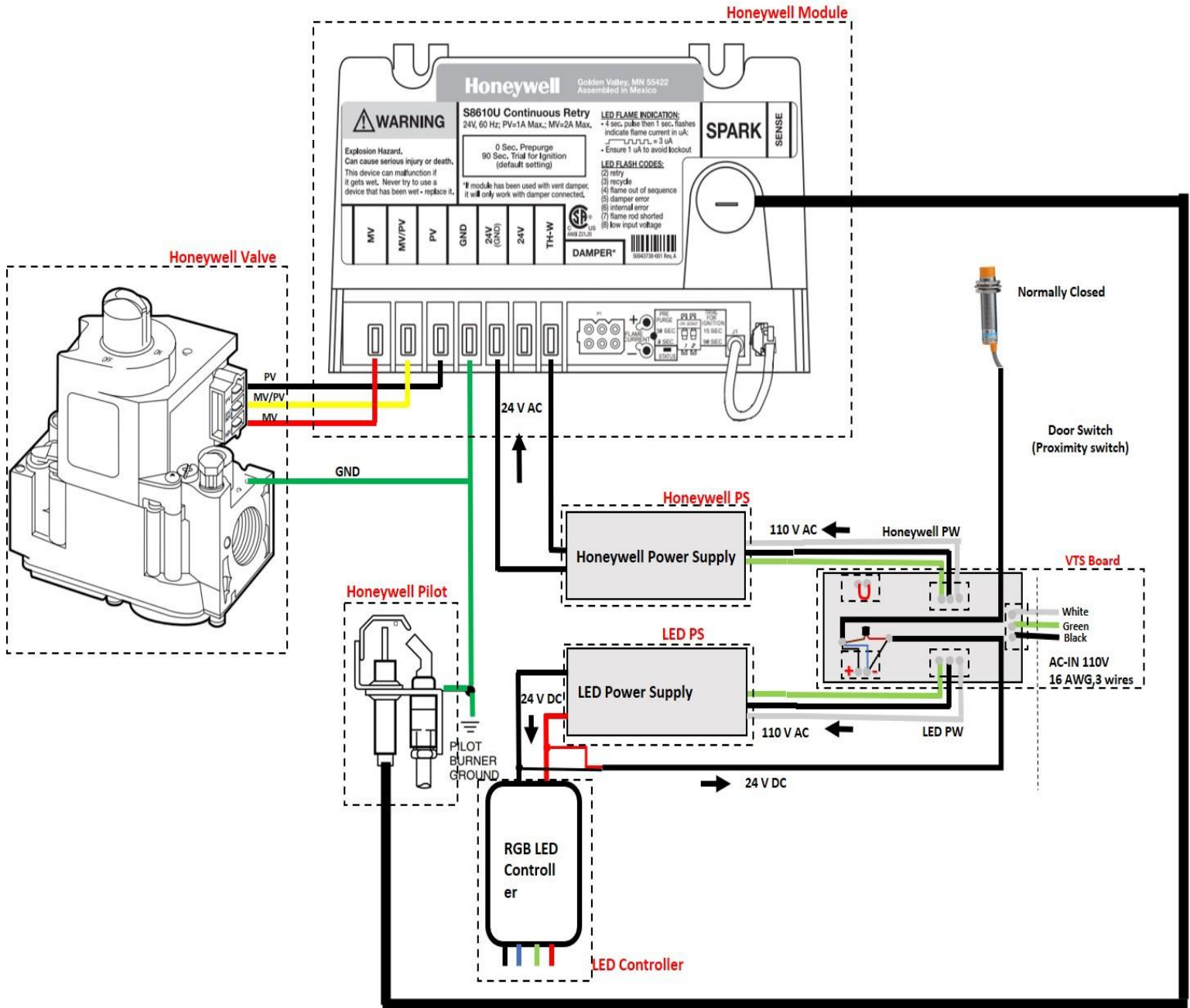


Waterproof Connector:

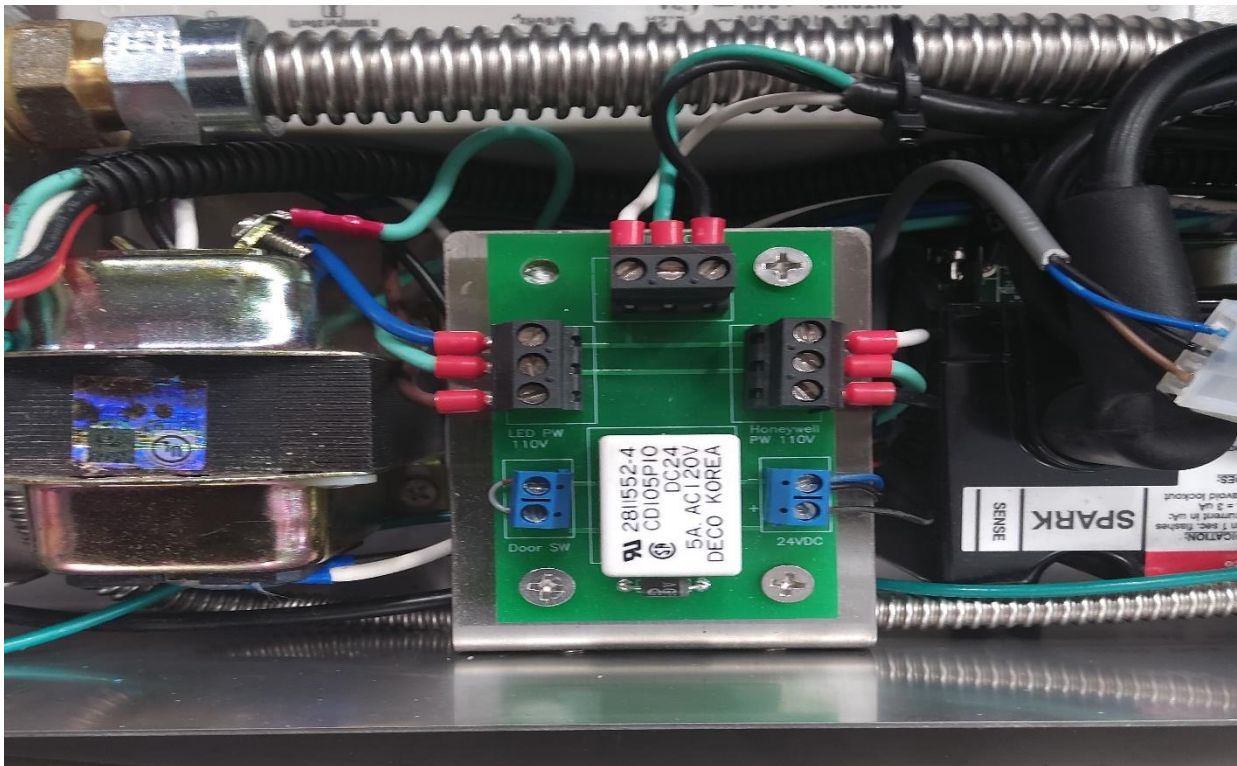
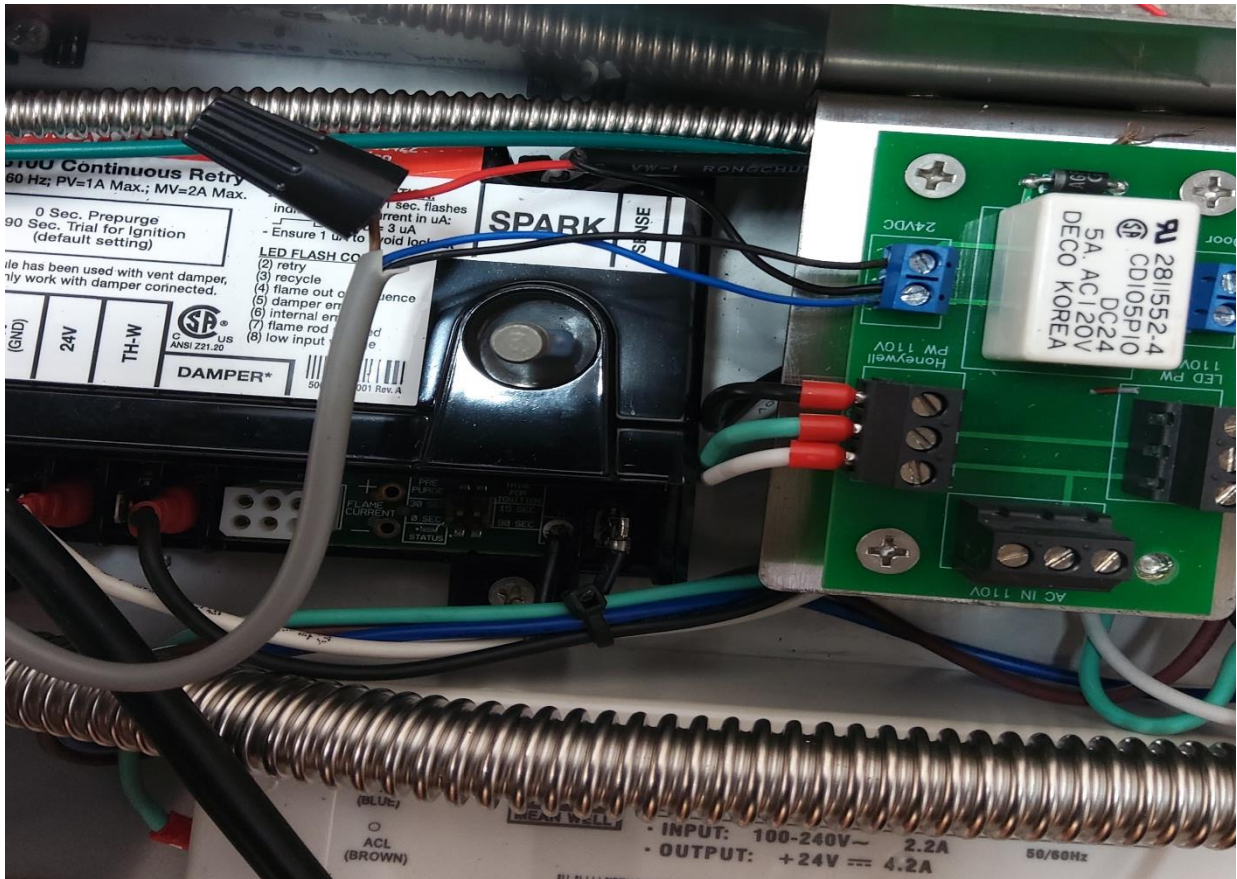
The Vent Free power cable is provided with a waterproof connector. Use this connector to install the GFCI protected home power source. The following pictures are showing the waterproof connection and how to open it. Your power source cable should run to either an outdoor GFCI switch power source, outdoor digital or analog timer, or something similar in order to protect your components and allow you to safely operate your fireplace.



ELECTRICAL DRAWING FOR VENTLESS SYSTEM BOX



Cont. Pictures....



LED LIGHT

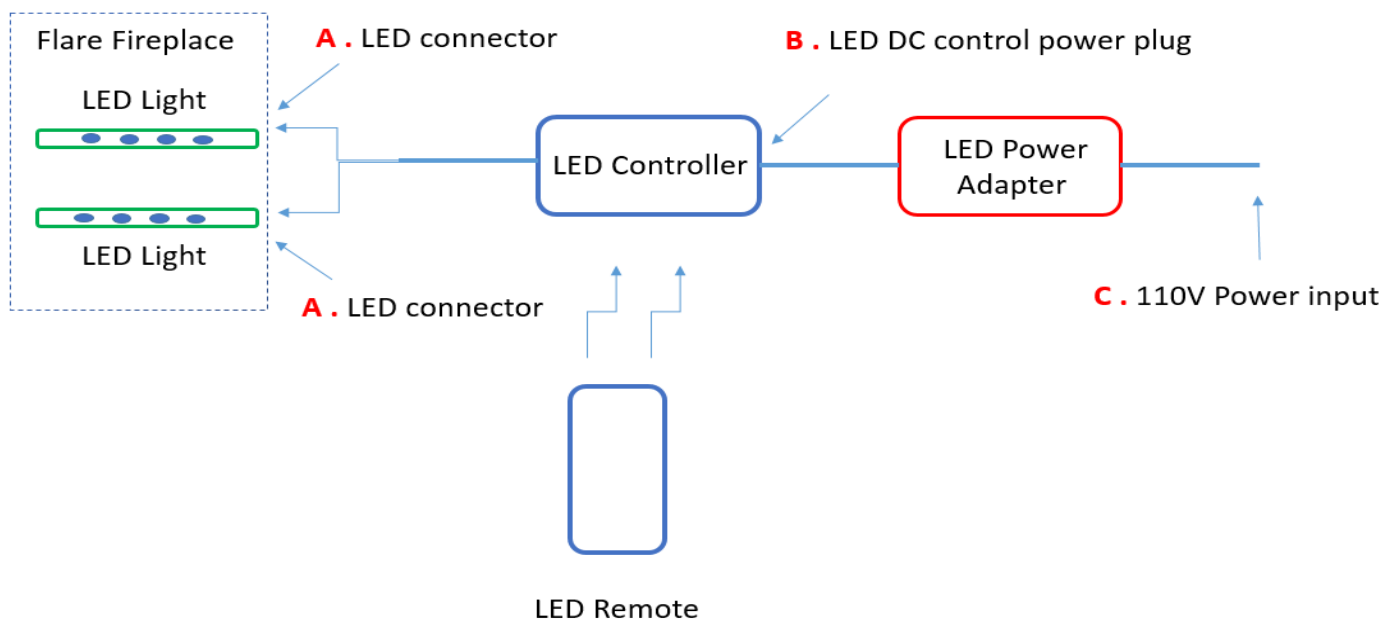
The Flare Fireplace is shipped with a multi-color interior RGB LED lighting installed and connected. The lights allow perfect flames to be viewed across a bed of illuminated crushed glass.

RGB LED – Multi color option controlled by a remote control for color selection. Once the color has been selected by the operator, the next time LED is used, the system will remember and maintain color selected.



LED Operation:

- LED power is connected to the Flare control system (Labeled in picture above as LED Power Outlet, and below as Connection C)
- LED will turn On and Off with the fireplace,
- Color control can be done by the LED remote.
- Once a color is selected, the LED remote can be stored away.
- LED to be switched Off when fireplace is turned off.
- LED cannot be switched on when fireplace is off.
- The LED remote can be stored away once color is selected.



PROPANE GAS CYLINDER/TANK – DIRECTLY CONNECTED TO FIREPLACE

The Flare Fireplaces Vent free fireplace was not design or intended to be connected directly to a gas LP cylinder.

Connection the Flare Fireplaces Vent free directly to a cylinder or storing a gas liquid propane tank/cylinder in the fireplace chase is not allowed and not cover under this manual.

- The Fireplace can be connected and operate using liquid propane regulated plumbing. Make sure to check and verify the fireplace has been converted to LP, using Flare Fireplaces LP conversion kit. Use the attached product label to confirm the fireplace is set for the expected gas type.



WARNING !

Connection directly to an unregulated L.P. tank can cause an explosion

Connection the Flare Fireplaces Vent free directly to a cylinder or storing a gas liquid propane tank/cylinder in the fireplace chase is not allowed and not cover under this manual.

VENT FREE – FLARE FIREPLACES – SPECIFICATION

Type	Model name	Opening Height	NG BTU	Propane BTU
Flare 50	Flare-V(FF,DC,LC,RC,ST)-50	16"	54,400	56,300
Flare 50 H	Flare-V(FF,DC,LC,RC,ST)-50-H	24"	54,400	56,300
Flare 60	Flare-V(FF,DC,LC,RC,ST)-60	16"	67,700	71,500
Flare 60 H	Flare-V(FF,DC,LC,RC,ST)-60-H	24"	67,700	71,500
Flare 70	Flare-V(FF,DC,LC,RC,ST)-70	16"	71,000	85,400
Flare 70 H	Flare-V(FF,DC,LC,RC,ST)-70-H	24"	71,000	85,400
Flare 80	Flare-V(FF,DC,LC,RC,ST)-80	16"	97,000	91,000
Flare 80 H	Flare-V(FF,DC,LC,RC,ST)-80-H	24"	97,000	91,000
Flare 100	Flare-V(FF,DC,LC,RC,ST)-100	16"	105,000	92,500
Flare 100 H	Flare-V(FF,DC,LC,RC,ST)-100-H	24"	105,000	92,500

MEDIA ARRANGEMENTS

Flare Fireplace can be equipped with different media types. Follow the instruction below for information on how to add and arrange media in your Fireplace:

- Do not place any type of media on the pilot or in front of the pilot. Keep 1" distance from the pilot to allow correct operation of the pilot.
- Media can be put over the Flare burner. Avoid placing media over the main burner ports as it may disrupt flame by causing a clogged port.
- Keep the pilot front cover view open to be able to view the pilot spark and flame from outside.
- Fireglass:
 - a. ¼" or ½" Fireglass may be used.
 - b. When the fireplace window is open, and media is placed, make sure Fireglass does not fall on the ceramic glass lower frame as that may cause breakage when putting back the ceramic glass.
 - c. Make sure pilot is clear of any Fireglass particles.
 - d. Fireglass can be put safely into the firebox. Avoid overloading the burner with Fireglass, specifically over the main burner's ports.
- Use the manual for instruction on how to remove and place back the fireplace glass to put or arrange the fireplace media.

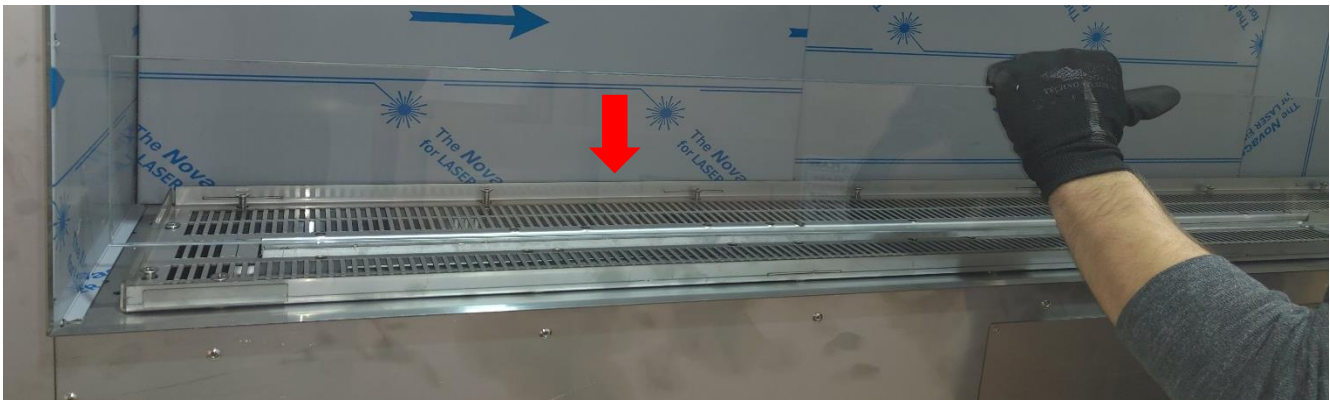


CHOKING HAZARD! Ensure that the fireplace area is clear of fire glass particles as these could be ingested by small children. Vacuum area after installation.

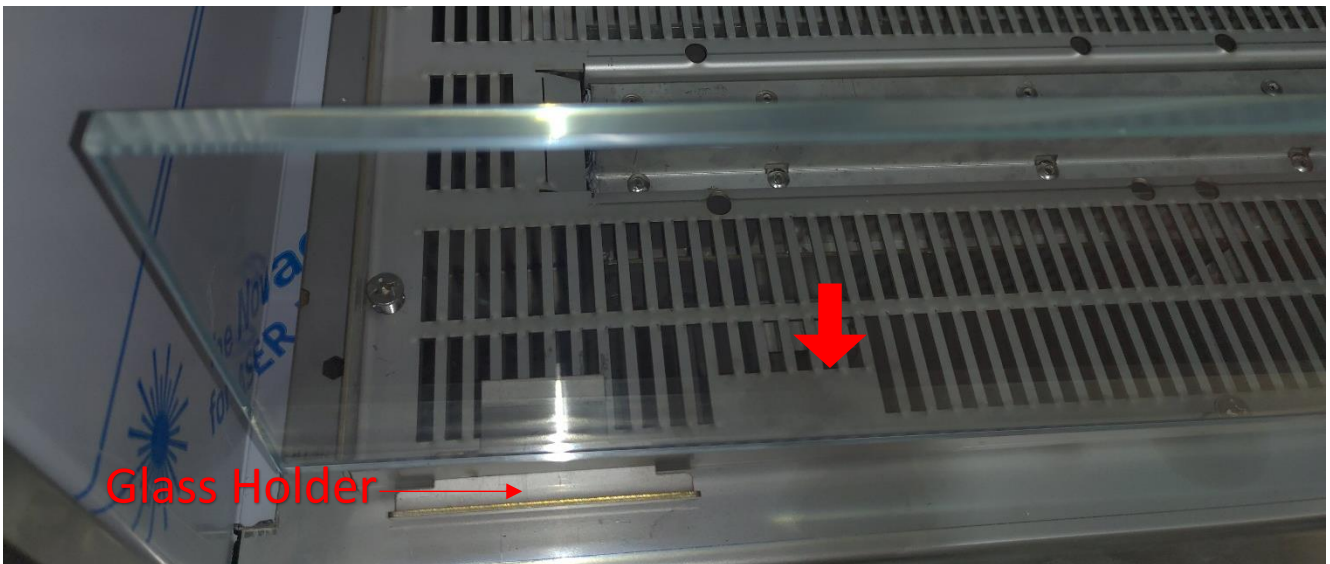
FIREPLACE WIND GUARD & RAIN COVERS

WIND GUARD GLASS

These wind glass guard has been designed to protect and safe the flame from being affected by the wind during the running time, the following pictures are showing the installation process.



Wind Guard Glass may have 2 or 3 holders for each part it depends on the length of the fireplace.



Tighten the screws of the glass holder using a power screwdriver as shown in the pictures below.



RAIN COVERS

The fireplace covers are designed to be used during storage time only. Make sure to remove the covers prior to use.

Never operate the fireplace with any of the covers attached to the unit (Front or sides).

Remove all covers PRIOR to attempting to start the fireplace

The fireplace covers are only for storage

DO NOT START THE FIREPLACE WITH THE COVERS ATTCHED



The Vent-Free cover are designed to keep your fireplace dry and clean during storage time. Remove all covers before attempting to start the fireplace.

Never attempt to start Fireplace with the wind cover on the unit

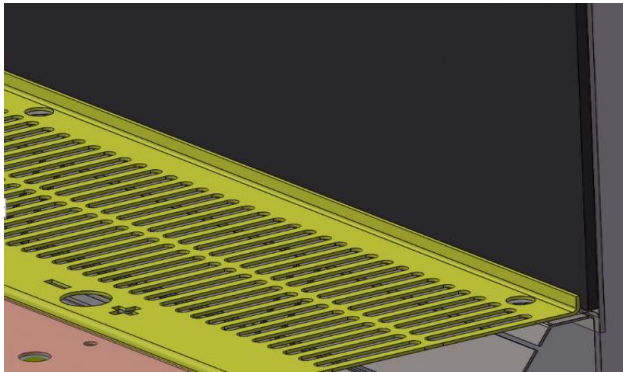
CAUTION! Wind Cover

External Wind Covers should only be used when the fireplace is not operating

REFLECTIVE BACK INSTALL

The Flare Fireplace may be ordered with a reflective ceramic glass backing. The ceramic glass is tinted black to create a reflection when the fireplace is running. The ceramic glass will enhance and protect the fireplace look and is very easy to clean.

The reflective back is shipped outside the unit, inside a sleeve with the other glass panes. It should be mounted at the back of the fireplace, placed in the gap between the fire bed (shown yellow below) and held by the top mounting brackets (red circle).



1. Carry the reflective back carefully using the suction cups and place it with 45 degree as shown in picture

2. Move the Reflective back towards the fireplace back and hold it in place as shown in the picture below.



3. Install the RB Holder as shown in the picture below

4. Repeat steps 3 for the other reflective back holders.



INSTALLATION STEPS

2. Prior to starting the installation, make sure you read and understand all WARNING information in the manual. Do not start the installation if you are not clear about any of the installation related subjects.
3. Determine the following:
 - Clearance requirements from combustible and non-combustible materials. Follow the [clearance instruction and example](#) in the manual.
 - Gas supply piping.
 - Confirm if the fireplace is going to operate using Natural Gas (NG) or Propane (LPG). Use the attached product label to confirm the fireplace is set for the expected gas type.
 - Electrical wiring requirements.
 - Framing and finishing details.
4. Unpack the fireplace box, adjust telescopic legs and place in the upright position. [Follow instruction for fireplace unpacking.](#)
5. Put the Fireplace in the desired location. Verify clearance to non-combustible and combustible materials. Follow the [clearance instruction](#) and example in the manual.
6. Connect gas ([Gas connection section](#)) line to the Fireplace and verify gas inlet and outlet pressure. Measure and document gas pressure here: Inlet _____ W.C.
7. Confirm if adjustments for [high altitude](#) are needed (Installation at above 2000 Ft from sea level).
8. Connect electrical wiring for applicable units.
9. Insert and place Fireplace media. Use [media arrangement](#) guide from the manual.
10. Verification of:
 - Ignition and pilot system.
 - Burning and flame.
11. Complete framing and wall cover.

Read all the instructions before starting the installation. Follow these instructions carefully during the installation to ensure maximum safety and benefit.

Follow the Steps above to insure proper installation of the Gas appliance.

WARNING! Risk of Fire or Explosion! Damaged parts could impair safe operation. DO NOT install damaged, incomplete or substitute components.

INSTALLATION PREPARATION

FIREPLACE UNPACKING

Follow the instructions below for unpacking the unit:

- Check the packing and confirm there is no external damage. If damage exists, please notify Flare Fireplaces immediately.
- Remove the top wood studs and pull the external carton box up.
- Please do not remove the blue wrap completely at this stage.
- Leave the fireplace placed on the pallet for the next step: fireplace legs setup.



REPLACEMENT PARTS

See below for flare replacement part list.

- Please contact your fireplace dealer to purchase any replacement part.
- Please make sure to provide the description and part number.
- Please make sure to use a certified installer for any service related to your fireplace.

MAINTENANCE

WARNING!

- It is recommended that a qualified service technician perform a routine inspection at the beginning of each heating season.
- Disconnect power before attempting maintenance or repair of the fireplace.
- Installation and maintenance must be performed by an authorized qualified installer, service agency or gas supplier.
- Any safety screen or guard removed for servicing placed back before operating this appliance.
- DO NOT USE this appliance if any part has been under water. Immediately call a qualified service technician to inspect the unit and to replace any part of the control system and any gas valve that has been under water or impacted.
- Any alteration to the product that causes soot or carbon to form and results in damage is not the responsibility of the manufacturer.
- Do not modify or substitute any part of this appliance.

Yearly Service

Failure to inspect and maintain the fireplace may lead to improper combustion and a potentially dangerous situation. We recommend the following procedures be done by a qualified technician.

Glass Maintenance

- Always use gloves when removing the glass to protect your hand and prevent fingerprints on the glass.
- DO NOT USE abrasive cleaners on the glass panels. DO NOT ATTEMPT to clean the glass panels when they are hot.
- Do not use normal household (usually ammonia-based) glass cleaners to clean the glass as these cleaners can leave a permanent stain. Only a gas fireplace glass cleaner should be used.
- Verify no cracks or breakage in the glass.
- Place glass in a safe location to prevent breakage.
- Never attempt to operate the fireplace without the fireplace glass.

Pilot Maintenance

- Visually inspect the pilot flame. The pilot flame should be always present when the fireplace is in operation.
- Make sure the pilot flame has two flame tips pointing to the flame sensor (thermocouple) and to the center of the burner.
- Make sure the pilot area is clean from any dust, media or any other debris that may disrupt the operation of the ignition system. Lint or foreign material must be removed with a brush or vacuum.
- Verify fireplace ignition using the power plug option of your choice. Verify electronic ignition, sparking sequence, pilot operation and burner ignition.

Burner Maintenance

- The flames from the burner should be visually checked. The flame should have a blue base and yellow tops and be candle-like in appearance.
- If excessive soot is found inside the firebox area, the fireplace will require adjustment. Verify the air shutter and vent restrictor setting and document any changes.
- If the flame becomes sooty, dark orange in color, or extremely tall, do not operate the heater.
- Measure gas pressure. Inlet _____ W.C., Outlet _____ W.C.



APPENDIX

MAINTENANCE LOG

Flare Fireplaces – Maintenance log

Following document should be used by the service technician. A copy should be kept with the technician and owner for future reference

Service Date: _____

Unit Information

Model Type and Size: _____

Serial #: _____

Owner Information

Name: _____

Address _____

Technician Information

Name: _____

Company Name _____

Technician NPI # _____

Service Information

Yearly Maintenance: _____

Other: _____

Details: _____

WARRANTY POLICY

Flare Fireplaces subjects every fireplace and component to rigorous testing to verify it is free from any defects before it leaves our warehouse. Flare Fireplaces photographs and documents the fireplace and all components moments before shipping them to our nationwide network of authorized dealers for installation, verifying full operation of the fireplace and all components. Our factory is supervised by CSA and subject to the highest operating standards.

18 MONTH COMPREHENSIVE WARRANTY

Effective beginning 18 months from the **original date of purchase from an authorized Flare Fireplaces Dealer**, our Comprehensive Warranty includes replacing or repairing any defective electronic components. These parts include the following components:

- Gas Valve
- Receiver
- LED Lighting Strips, Remote, & Controller
- Authorized Media

This warranty does not apply to any component that shows evidence of misuse, abuse, improper installation, exposure to water or moisture, excessive heat, dust, or paint.

LIMITED FIVE-YEAR COVERAGE

Effective for five years from the **original date of purchase**, Flare Fireplaces Limited Five-Year Coverage includes replacing ceramic glass. This coverage is covered under the following circumstances:

- Thermal Breakage Only

This coverage is void if the glass is damaged due to improper cleaning. This includes using ammonia or detergent based cleaning solvents or solutions instead of lukewarm water and a lint free cloth. Other products may leave streaking or a honeycomb shaped stain on your fireplace glass.

LIMITED 10-YEAR COVERAGE

Limited Lifetime Coverage is extended to the following components:

- Firebox
- Burners

CONDITIONS

- **Warranty coverage begins on the date of original purchase.**
- Minor warping of certain components or discoloration is normal and is not considered a defect that is covered under this warranty. Major disruption and buckling of parts can be caused by over-firing of your fireplace. Over-firing above the rated value specified in the manual is contrary to the manufacturer's instructions and may void this warranty.
- All installations must be performed by a qualified technician in accordance with applicable local and national requirements.
- Installations must be done in accordance with the Flare Fireplaces installation manual. The Limited Warranty applies only if the product is installed in the United States or Canada and only if installed, operated, and maintained in accordance with the attached product manual.
- It is the responsibility of the installer to ensure the appliance is firing per the rating plate.
- Any part that is found in our judgment to be defective shall be repaired, replaced, or refunded at Flare Fireplaces' option.
- This warranty only covers appliances that are purchased through a Flare Fireplaces authorized dealer or distributor.
- The warranty is only valid while the appliance remains at the site of original installation.
- Flare Fireplaces does not install or provide installation services. The installation of the fireplaces must be done by authorized installer. The fireplace limited warranty does not cover the installation service, or any part related to the installation of the fireplace or surrounding of the fireplace and venting.
- **Contact your dealer for warranty service.** If the dealer is unable to provide necessary parts, contact the nearest Flare Fireplaces authorized dealer or supplier.

EXCLUSIONS

- This warranty does not apply to any component that shows evidence of misuse, abuse, improper installation, accident, or lack of maintenance.
- Flare Fireplaces is not responsible for televisions, mantels, surrounds or finishing material around the fireplace.
- Flare Fireplaces is not responsible for installation, operational or environmental conditions beyond our control.
- Flare Fireplaces shall in no event be liable for any special, indirect, or consequential damages of any nature which are more than the original purchase price of the product.
- Flare Fireplaces may at its discretion discharge all obligations by refunding the wholesale price of the defective part.
- This warranty may not be extended or modified by our dealers or representatives.
- The Limited Warranty only covers parts and labor as provided above. Flare Fireplaces will not be responsible for materials, components, or construction, which are not manufactured or supplied by Flare Fireplaces or for the labor necessary to install, repair or remove such materials, components, or construction.

WARRANTY VOIDED WHEN

- An unauthorized media type is used in the firebox.
- The appliance has been over-fired or operated in atmospheres contaminated by chlorine, fluorine, or other damaging chemicals. Over-firing can be identified by, but not limited to, warped plates or pipes, rust colored iron or bubbling, cracking and discoloration of steel or enamel finishes.
- The appliance is subjected to prolonged periods of moisture or condensation.
- There is any damage to the appliance or other components due to water or weather damage, which is the result of, but not limited to, improper chimney or venting installation.
- Holes have been drilled into the fireplace for any reason.